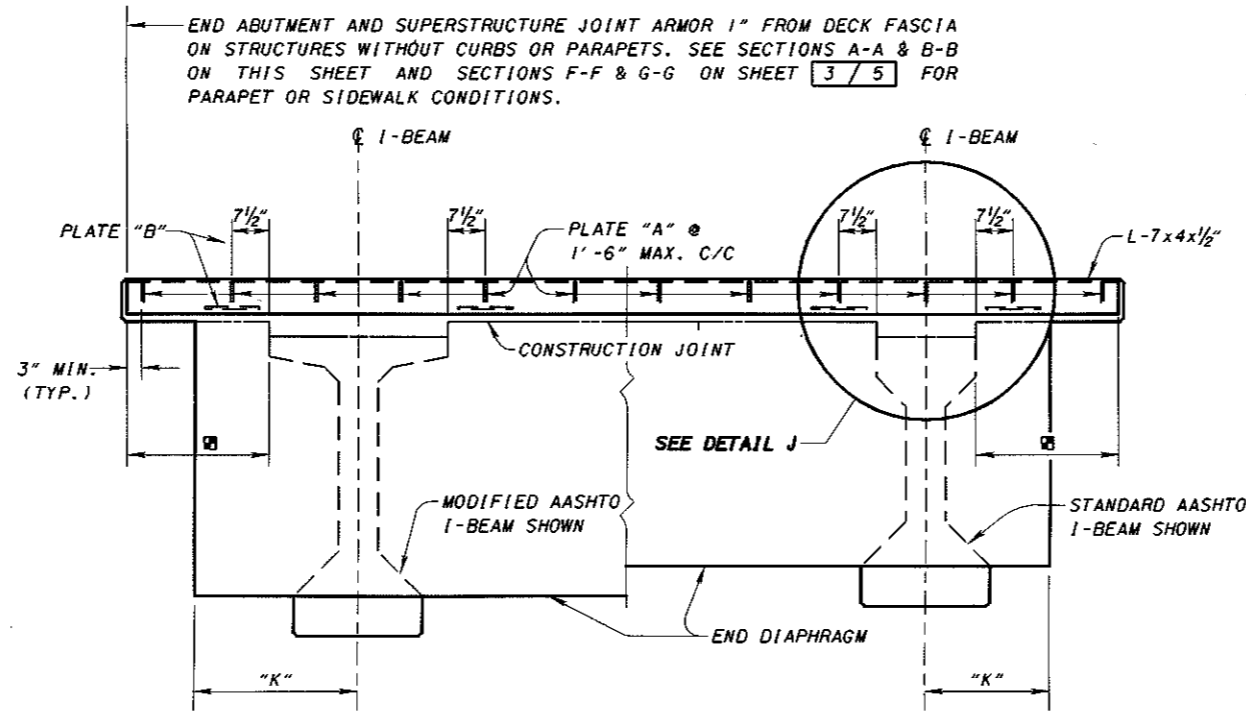


PART PLAN AT ABUTMENT
FOR SQUARE OR LOW SKEWED (15° OR LESS)
BRIDGES WITH DEFLECTOR PARAPET RAILING
(BR-1 RAILING IS SHOWN, SBR-1-99 SHALL BE SIMILAR)

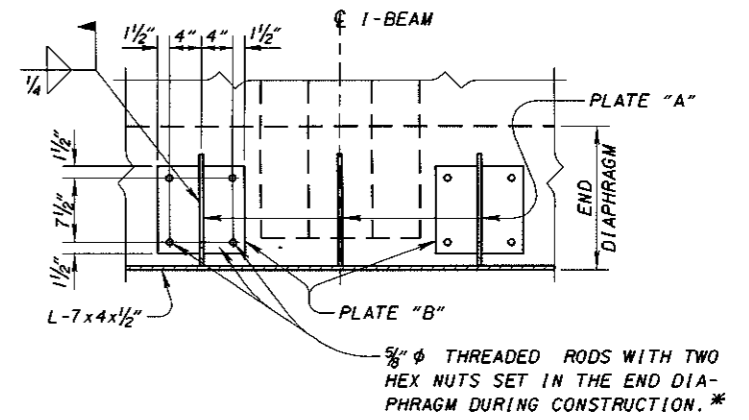
FOR SECTION X-X SEE SHEET 2 / 5 .



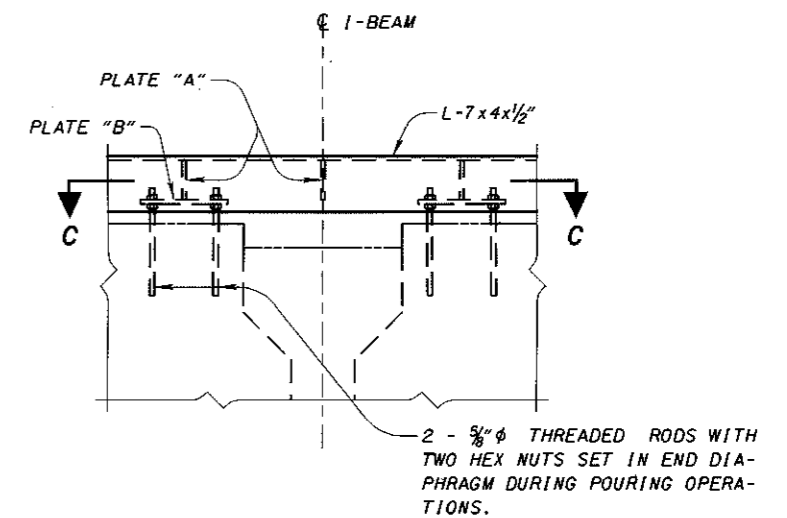
END OF SUPERSTRUCTURE WITHOUT CURBS OR PARAPETS

■ - THE SINGLE PLATE "A" AT THE ENDS OF THE L-7x4x1/2 ANGLE MAY BE OMITTED IF THE DIMENSION (ϕ) SHOWN IS LESS THAN 1'-7 1/2".

REFER TO STANDARD BRIDGE DRAWING PSID-1-99 SHEET 3 / 8 FOR DIMENSION "K".



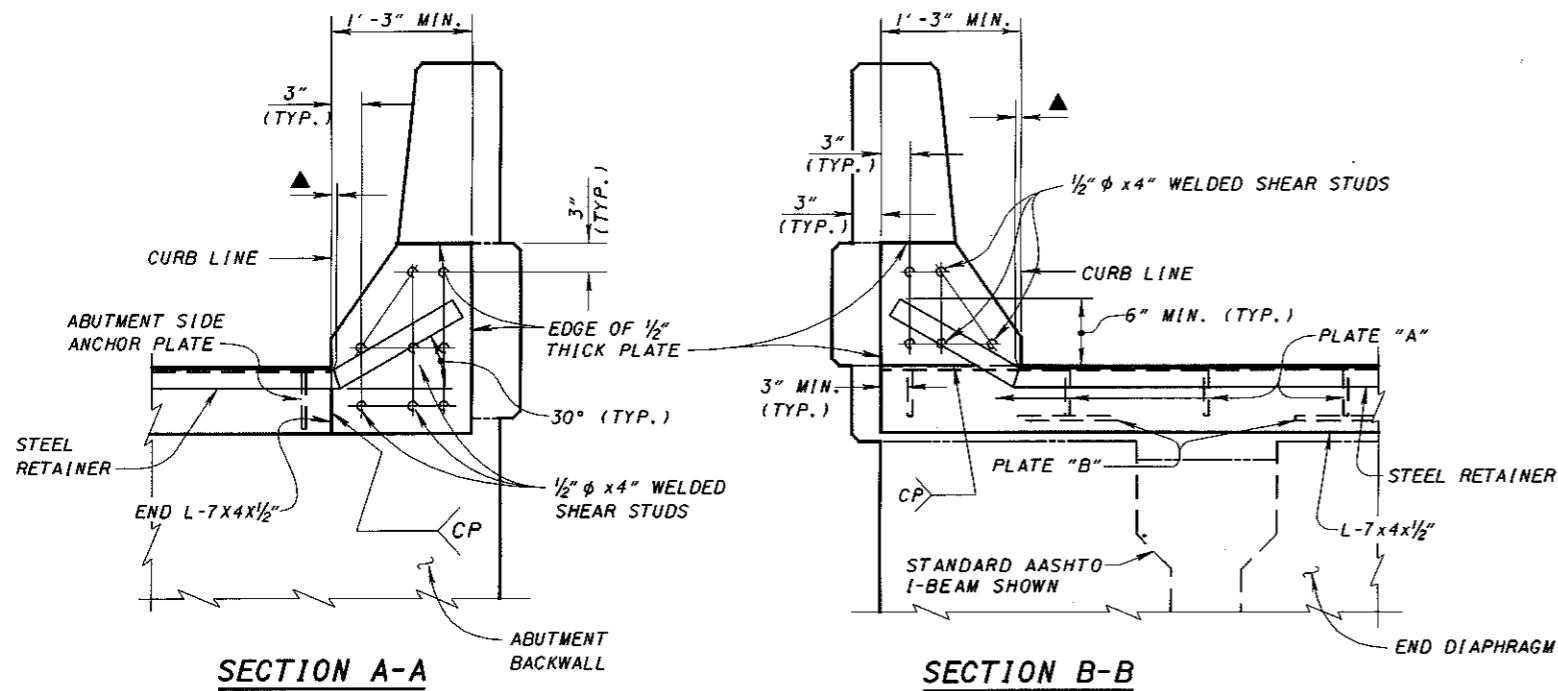
SECTION C-C



DETAIL J

(TYPICAL FOR BOTH INTERIOR AND EXTERIOR BEAMS)

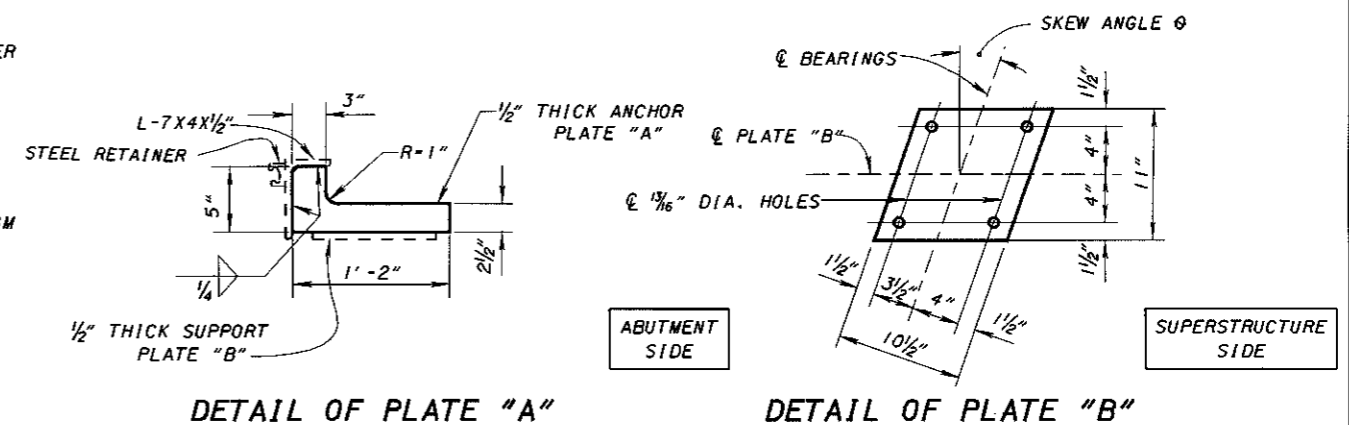
SEE SECTION X-X ON SHEET 2 / 5 FOR ADDITIONAL DETAILS.



SECTION A-A

SECTION B-B

▲ - 0" MIN. TO 1/2" MAX. AT BREAKPOINT IN RETAINER FOR SQUARE BRIDGES. ON SKEWED BRIDGES THIS DIMENSION WILL ONLY APPLY TO THE SIDE OF JOINT ASSEMBLY WHICH IS NEAREST TO THE CURB LINE. (SEE SHEET 2 / 5).



DETAIL OF PLATE "A"

DETAIL OF PLATE "B"

DESIGN AGENCY: OFFICE OF STRUCTURAL ENGINEERING
STATE OF OHIO DEPARTMENT OF TRANSPORTATION
REVIEWED: WTL/LMW
CHECKED: JS
DESIGNED: A/JM
DRAWN: A/JM
REVISIONS: 3-18-97, 04-20-01
DATE: 10-18-95
ADMINISTRATOR: Richard L. Engler

STANDARD STRIP SEAL EXPANSION JOINTS CONCRETE I-BEAM STRUCTURES