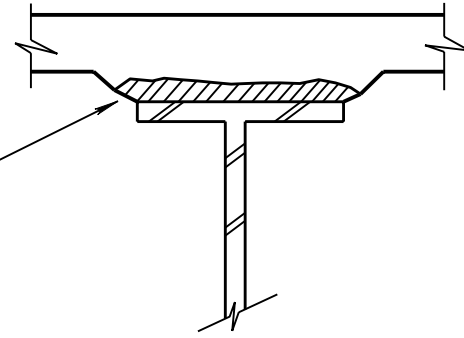


REPAIR GAP BETWEEN STEEL MEMBERS
AND CONCRETE USING EPOXY INJECTION
ACCORDING TO C&MS 512 AFTER ALL
REPAIR OR STRAIGHTENING WORK HAS
BEEN COMPLETED



EPOXY INJECTION

TABLE 4 DAMAGED MEMBERS TO BE EPOXY INJECTED				
DAMAGED AREA	MEMBER LINE	PIER OR ABUTMENT	C	LINEAR FEET

SEE PLAN FOR DIMENSION C

TABLE 5 DAMAGED MEMBER, BEARINGS TO BE RESET				
DAMAGED AREA	MEMBER LINE	PIER OR ABUTMENT	BEARING TYPE	QUANTITY

SEE PARTIAL FRAMING PLAN FOR DETAILS.
INCLUDE THESE REPAIRS IN ITEM 516, JACKING & TEMPORARY SUPPORT OF STRUCTURE,
AS PER PLAN FOR PAYMENT.

TABLE 6 DAMAGED MEMBER, CONCRETE PATCHING				
DAMAGED AREA	MEMBER LINE	PIER OR ABUTMENT	C	SQUARE FEET

SEE PARTIAL FRAMING PLAN FOR DETAILS.
INCLUDE THESE REPAIRS IN ITEM 519, PATCHING CONCRETE STRUCTURES FOR PAYMENT.