

GENERAL NOTES

DESIGN SPECIFICATIONS: THIS STANDARD DRAWING CONFORMS TO "STANDARD SPECIFICATIONS FOR HIGHWAY BRIDGES" ADOPTED BY THE AMERICAN ASSOCIATION OF STATE HIGHWAY AND TRANSPORTATION OFFICIALS, 2002 AND THE ODOT BRIDGE DESIGN MANUAL.

DESIGN DATA: THE FOLLOWING DESIGN DATA IS ASSUMED:

INTERNAL ANGLE OF FRICTION () = 30 DEGREES
 COEFFICIENT OF FRICTION () = 0.30
 UNIT WEIGHT OF SOIL = 120 PCF
 UNIT WEIGHT OF CONCRETE = 150 PCF
 SLOPE OF BACKFILL = 2:1 (TYPE A & B HEADWALLS)
 HEIGHT OF LIVE LOAD SURCHARGE = 2 FT (TYPE C HEADWALLS)
 MAXIMUM FOUNDATION BEARING PRESSURE = 2000 P.S.F.

CONCRETE CLASS C - COMPRESSIVE STRENGTH 4000 PSI
 (FOOTING, WINGWALL AND FORESLOPE WALL)

REINFORCING STEEL - ASTM A615, A616, OR A617
 GRADE 60 MINIMUM YIELD STRENGTH
 60,000 PSI (ALL REINFORCING SHALL BE
 EPOXY COATED)

PRECAST CONCRETE: AT THE OPTION OF THE CONTRACTOR, PRECAST FOOTINGS AND WINGWALLS MAY BE USED PROVIDED THEY ARE SIZED TO MEET THE SOIL PARAMETERS AND MEET OR EXCEED THE MATERIAL STRENGTHS SPECIFIED HEREIN. THE CONTRACTOR SHALL SUBMIT DESIGNS AND SHOP DRAWINGS TO THE OFFICE OF STRUCTURAL ENGINEERING FOR APPROVAL.

FORESLOPE WALL ANCHOR DOWELS: ANCHOR PER CMS 510 WITH NONSHRINK, NONMETALLIC GROUT CONFORMING TO CMS 705.20 AND TO A DEPTH SPECIFIED ON SHEET 6/6. PAYMENT FOR DOWEL HOLES, GROUT AND INSTALLATION SHALL BE INCLUDED WITH ITEM 511.

AS AN ALTERNATIVE TO RESIN BONDING, THREADED INSERTS OR NONPROTRUDING MECHANICAL CONNECTORS CAST INTO THE CULVERT BY THE MANUFACTURER MAY BE USED PROVIDED THEY CAN RESIST AN ULTIMATE PULL-OUT STRENGTH OF 12 KIPS AND MAINTAIN A MINIMUM COVER OF 3 INCHES AT THE BOTTOM OF THE CULVERT SLAB. MECHANICAL CONNECTORS MUST PROVIDE AN "L-SHAPED" BAR INSIDE THE CULVERT WITH A MINIMUM HORIZONTAL LENGTH OF 12 INCHES. PAYMENT FOR INSERTS OR MECHANICAL CONNECTORS SHALL BE INCLUDED WITH ITEM 611.
 BACKFILL LIMITATION: WHEN THE DESIGN HEIGHT IS GREATER THAN 10 FT, THE BACKFILL BEHIND THE WINGWALLS SHALL NOT BE PLACED HIGHER THAN THE ELEVATION OF THE SOIL ABOVE THE TOE. WHEN THE SOIL ABOVE THE TOE IS AT ITS FINISHED ELEVATION, THE REMAINDER OF THE BACKFILL MAY BE PLACED.

POROUS BACKFILL WITH FILTER FABRIC 1'-6" THICK SHALL BE PLACED BEHIND THE WINGWALLS ONLY AND SHALL EXTEND TO 12" BELOW THE EMBANKMENT SURFACE. GEOTEXTILE FABRIC SHALL BE PLACED BETWEEN THE POROUS BACKFILL AND REPLACED EXCAVATION ADJACENT TO THE STRUCTURE. IT SHALL TURN UNDER THE BOTTOM OF THE POROUS BACKFILL AND RETURN 6" ABOVE THE TOP ELEVATION OF THE WEEPHOLE.

WEEPHOLES SHALL BE PLACED 6" TO 12" ABOVE THE NORMAL WATER ELEVATION OR GROUND LINE AND SHALL HAVE A MAXIMUM SPACING OF 10'-0". A MINIMUM OF ONE WEEPHOLE SHALL BE PROVIDED PER WINGWALL.

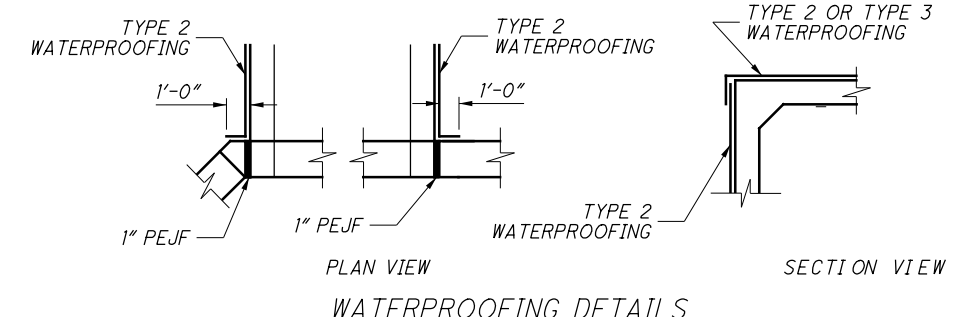
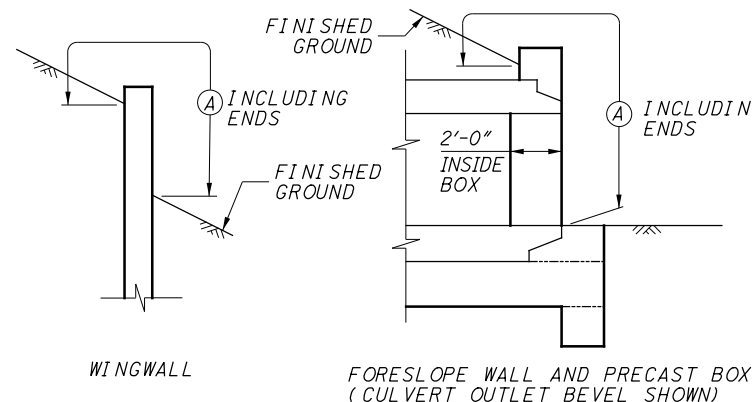
PREFORMED EXPANSION JOINT FILLER: PREFORMED EXPANSION JOINT FILLER (PEJF) CONFORMING TO CMS 705.03, 1 INCH THICK, SHALL BE PLACED ABOVE THE FOOTING BETWEEN THE SIDES OF THE BOX CULVERT AND THE ENDS OF THE WINGWALLS. PAYMENT FOR MATERIALS AND INSTALLATION SHALL BE INCLUDED WITH ITEM 516 - 1" PREFORMED EXPANSION JOINT FILLER.

SEALING OF FORESLOPE WALL AND WINGWALLS: ALL EXPOSED FORESLOPE WALL AND WINGWALL CONCRETE SHALL BE SEALED WITH EPOXY-URETHANE SEALER. THE LIMITS SHALL BE AS SHOWN IN THE DIAGRAMS BELOW. PAYMENT FOR THE EPOXY-URETHANE SEALER SHALL BE PER ITEM 512 - SEALING OF CONCRETE SURFACES.

WATERPROOFING: TYPE 2 WATERPROOFING, PER CMS 512.09 AND 711.25, SHALL EXTEND VERTICALLY DOWN THE ENTIRE SIDES OF THE PRECAST CULVERT SECTIONS FOR ALL PORTIONS OF THE CULVERT WHICH SHALL BE IN CONTACT WITH THE BACKFILL. PAYMENT FOR THE MEMBRANE WATERPROOFING SHALL BE AT THE CONTRACT PRICE BID PER SQUARE YARD FOR ITEM 512 - TYPE 2 WATERPROOFING.

IF PAVEMENT IS NOT PLACED DIRECTLY ON TOP OF THE CULVERT, TYPE 2 WATERPROOFING, PER CMS 512.09 AND 711.25 SHALL BE APPLIED TO THE ENTIRE TOP SURFACE OF THE PRECAST CULVERT SECTIONS AND SHALL EXTEND ONE FOOT VERTICALLY DOWN THE SIDES FOR ALL PORTIONS OF THE CULVERT WHICH SHALL BE IN CONTACT WITH THE BACKFILL. PAYMENT FOR THE MEMBRANE WATERPROOFING SHALL BE AT THE CONTRACT PRICE BID PER SQUARE YARD FOR ITEM 512 - TYPE 2 WATERPROOFING.

IF PAVEMENT IS TO BE USED DIRECTLY ON TOP OF THE CULVERT, TYPE 3 WATERPROOFING, PER CMS 512.10 AND 711.29 SHALL BE APPLIED TO THE ENTIRE TOP SURFACE OF THE PRECAST CULVERT SECTIONS AND SHALL EXTEND ONE FOOT VERTICALLY DOWN THE SIDES FOR ALL PORTIONS OF THE CULVERT WHICH SHALL BE IN CONTACT WITH THE BACKFILL. PAYMENT FOR THE MEMBRANE WATERPROOFING SHALL BE AT THE CONTRACT PRICE BID PER SQUARE YARD FOR ITEM 512 - TYPE 3 WATERPROOFING.



BASIS OF PAYMENT: ALL LABOR, EQUIPMENT AND INCIDENTALS REQUIRED TO CONSTRUCT THE FOOTING, CUTOFF WALL, WINGWALLS AND FORESLOPE WALL SHALL BE INCLUDED WITH ITEM 511 - CLASS C CONCRETE (RET-WALL/WINGWALL - INCLUDING FOOTING). PAYMENT FOR REINFORCING STEEL SHALL BE INCLUDED WITH ITEM 509 - EPOXY COATED REINFORCING STEEL.

LIMITS OF ITEM 512-SEALING CONCRETE SURFACES

(A) - SEAL ENTIRE CONCRETE SURFACE AREA

ESTIMATED QUANTITIES				
ITEM	ITEM EXT	TOTAL	UNIT	DESCRIPTION
202	11000	LUMP		STRUCTURE REMOVED
503	11100	LUMP		COFFERDAMS, CRIBS, AND SHEETING
503	21100	LUMP		UNCLASSIFIED EXCAVATION (WINGWALL FOOTING)
509	10000	xx	LB.	EPOXY COATED REINFORCING STEEL
511	46000	xx	CU. YD.	CLASS C CONCRETE, RETAINING WALL OR WINGWALL
511	46500	xx	CU. YD.	CLASS C CONCRETE, FOOTING
511	46600	xx	CU. YD.	CLASS C CONCRETE, HEADWALLS
512	33XXX	xx	SQ. YD.	TYPE X MEMBRANE WATERPROOFING
516	13600	xx	SQ. FT.	1" PREFORMED EXPANSION JOINT FILLER
518	21230	LUMP		POROUS BACKFILL WITH FILTER FABRIC
601	11001		SQ. YD.	RIPRAP USING 6" REINFORCED CONCRETE SLAB, AS PER PLAN
				AS PER PLAN
611	96311	xx	LIN. FT.	XX'-0" SPAN X X'-0" RISE CONDUIT, TYPE A, 706.05, AS PER PLAN
613	41200		CU. YD.	LOW STRENGTH MORTAR BACKFILL
512	10100	xx	SQ. YD.	SEALING OF CONCRETE SURFACES (EPOXY-URETHANE)

NOTE: TOTALS CARRIED TO GENERAL SUMMARY SHEET

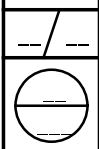
O:\BRIDGES\Meddies\Box Culvert Headwalls\BoxCulvHWPlan_Inserts_V8.1.dgn Sheet 7/3/2019 2:14:47 PM smeddies

OFFICE OF STRUCTURAL ENGINEERING

DESIGNED
REVIEWED

CHECKED

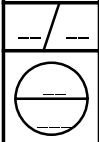
PLAN INSERT SHEET



CULVERT & WINGWALL LAYOUT

INLET ELEVATION

OUTLET ELEVATION

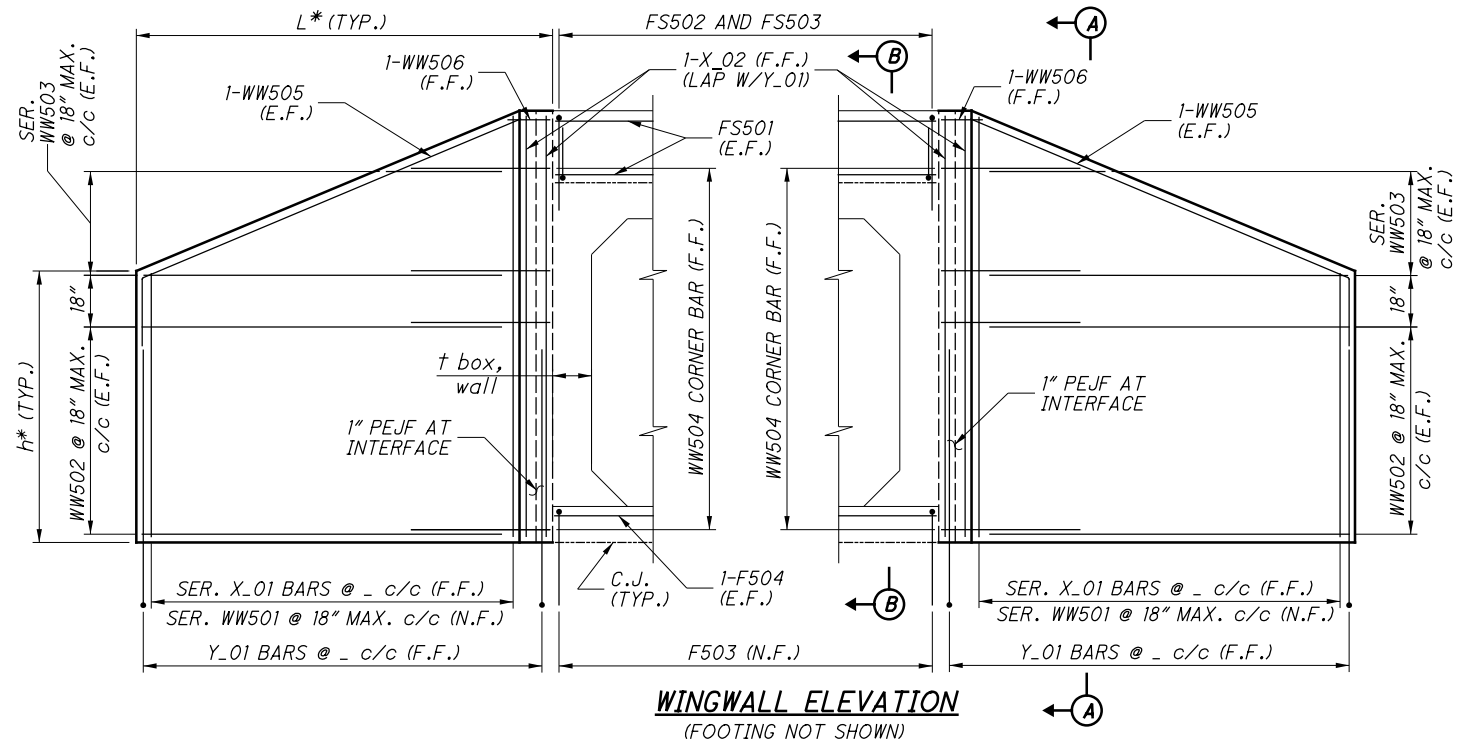


PLAN INSERT SHEET

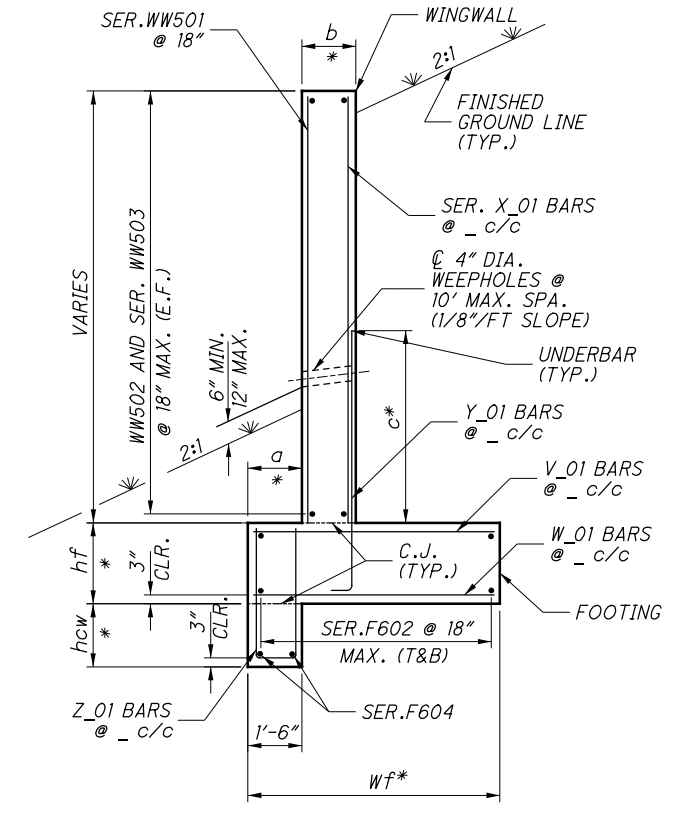
CHECKED _____
DESIGNED _____

REVIEWED _____
DATE _____

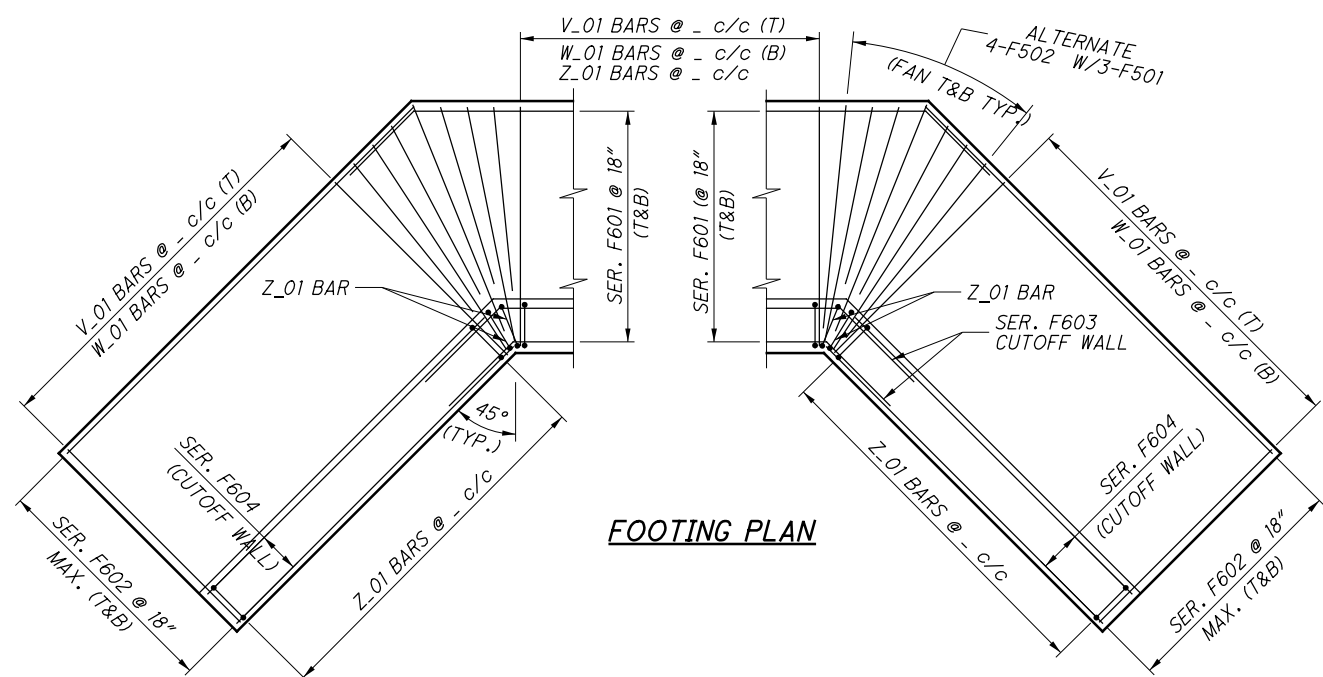
OFFICE OF
STRUCTURAL
ENGINEERING



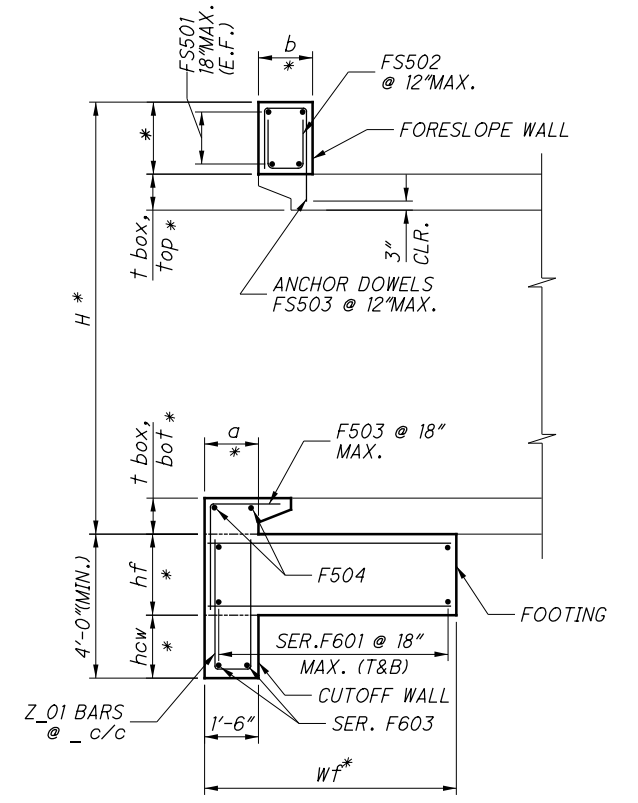
WINGWALL ELEVATION
(FOOTING NOT SHOWN)



SECTION A-A
(POROUS BACKFILL NOT SHOWN FOR CLARITY)



FOOTING PLAN



SECTION B-B
(CULVERT INLET BEVEL SHOWN)

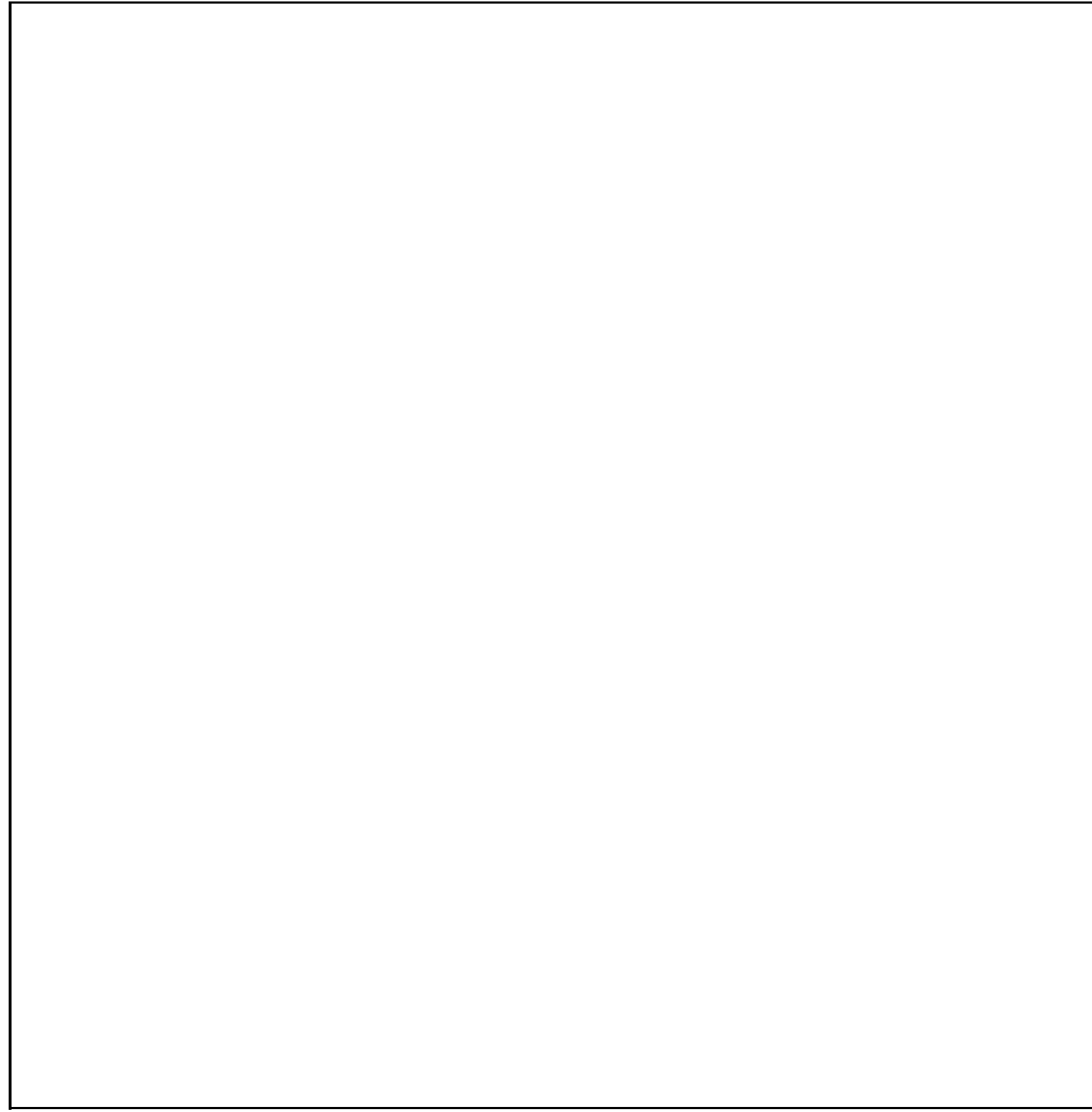
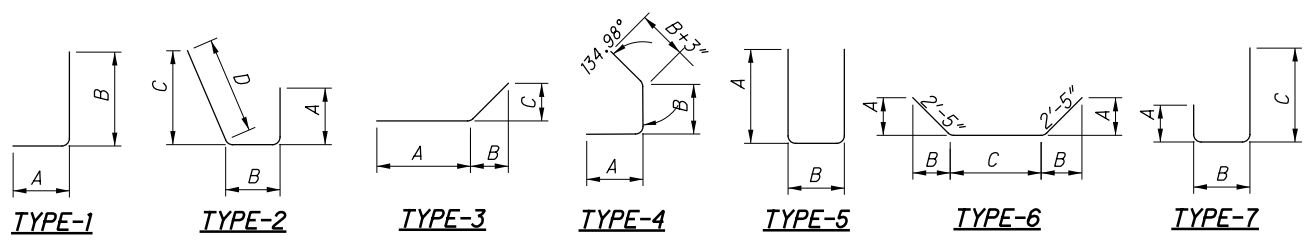
NOTES

1. FOR CULVERT LOCATION PLAN, SEE SHEET xx/xx.
2. FOR PRECAST BOX CULVERT DETAILS, SEE SHEET xx/xx.
3. THE BAR SIZE NUMBER IS SPECIFIED ON THE PLANS IN THE BAR MARK COLUMN. THE FIRST DIGIT INDICATES THE BAR SIZE NUMBER. FOR EXAMPLE, WW501 IS A NO.5 BAR. BAR DIMENSIONS SHOWN ARE OUT TO OUT. ALL REINFORCING STEEL SHALL BE EPOXY COATED.
4. THE LAP SPLICE LENGTHS USED IN THESE DETAILS ARE AS FOLLOWS: 2'-5" FOR #5 BARS; 2'-11" FOR #6 BARS.

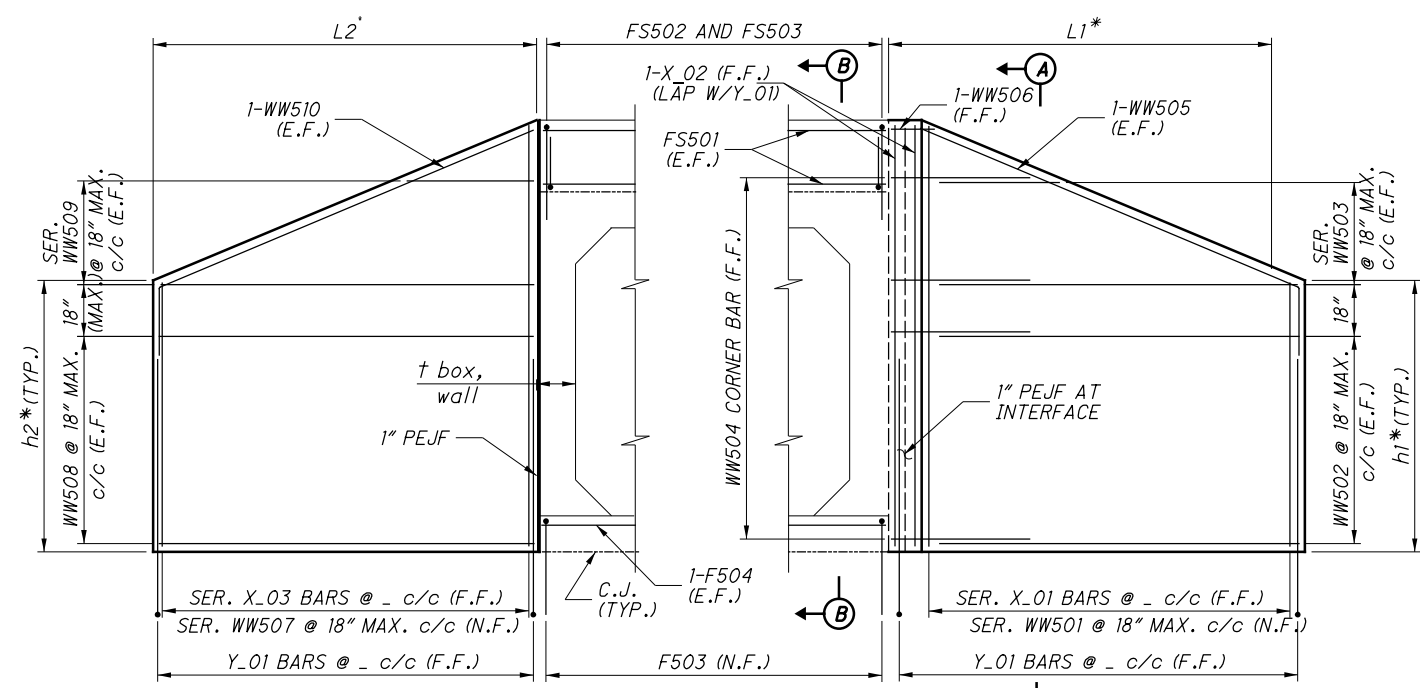
LEGEND:

C.J.	CONSTRUCTION JOINT	N.F.	NEAR FACE
CLR.	CLEAR	SER.	SERIES
DIA.	DIAMETER	STR.	STRAIGHT
E.F.	EACH FACE	(T)	TOP
F.F.	FAR FACE	(B)	BOTTOM
MAX.	MAXIMUM	T&B	TOP AND BOTTOM
MIN.	MINIMUM	TYP.	TYPICAL
PEJF	PREFORMED EXPANSION JOINT FILLER	INC.	INCREMENT

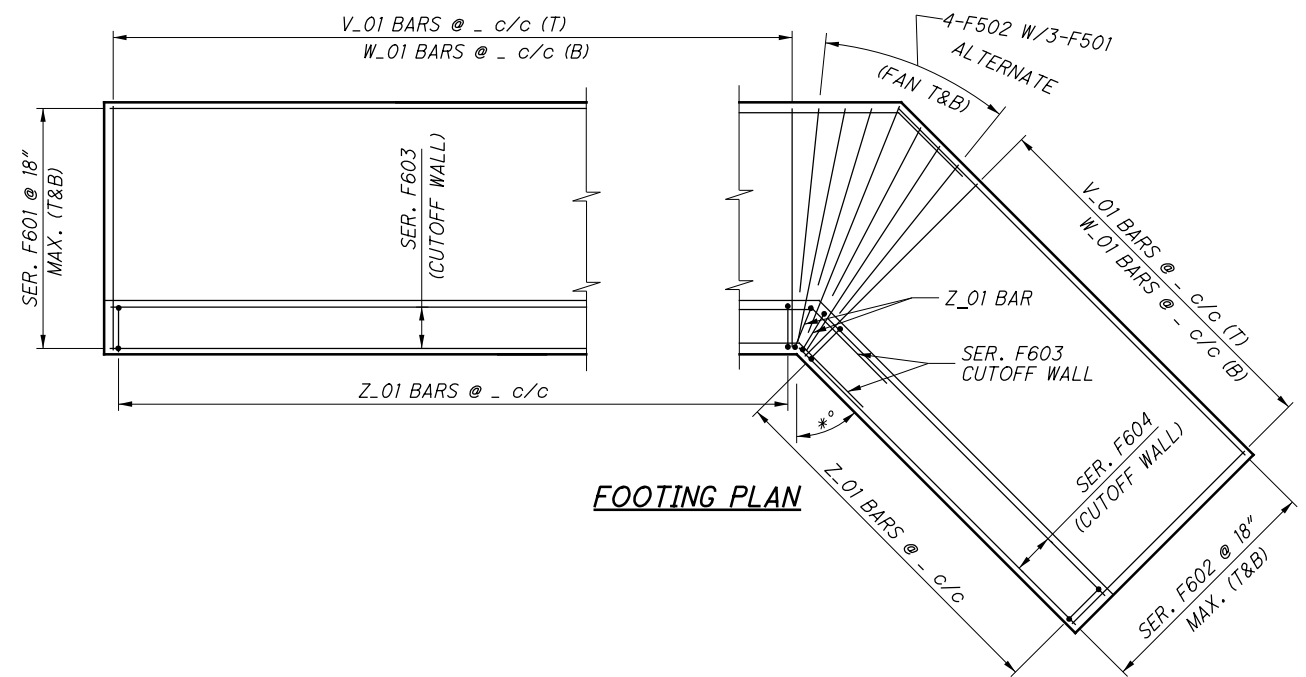
O:\BRIDGES\Meddies\Box Culvert Headwalls\BoxCulHWPlan_Inserts_V8.1.dgn Sheet 7/3/2019 2:15:21 PM smeddies



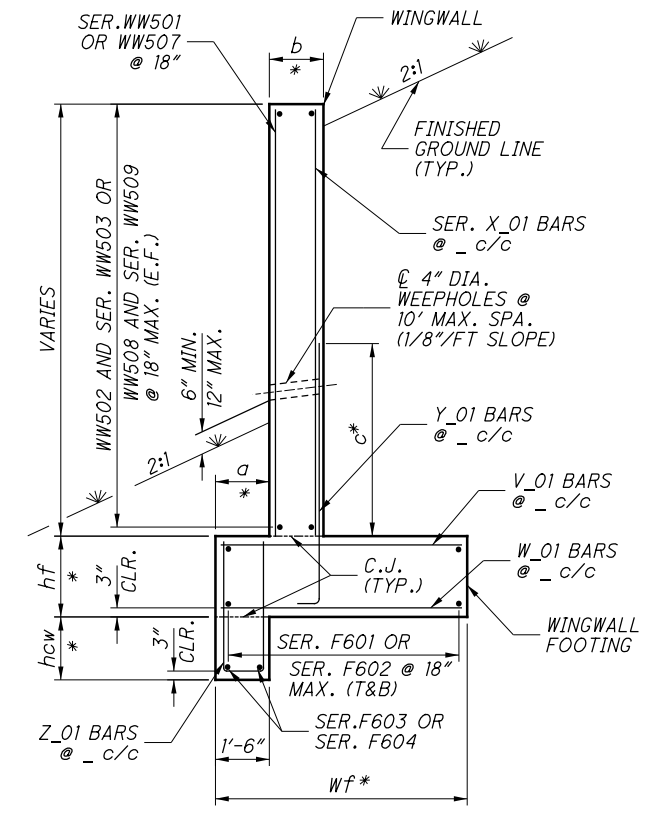
INSERT ODOT BOX
CULVERT REINFORCING
DESIGN HERE
IF SPAN > 12'.



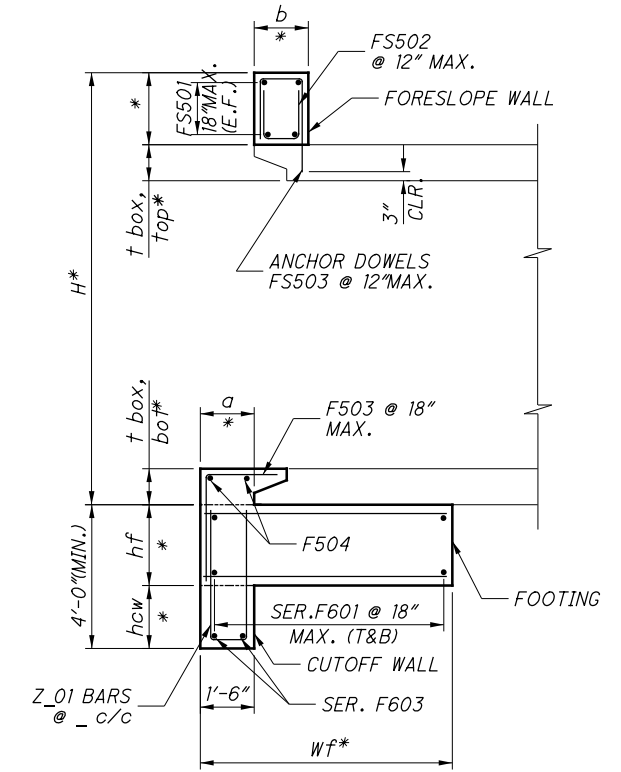
WINGWALL ELEVATION
(FOOTING NOT SHOWN)



FOOTING PLAN



SECTION A-A
(POROUS BACKFILL NOT SHOWN FOR CLARITY)



SECTION B-B
(CULVERT INLET BEVEL SHOWN)

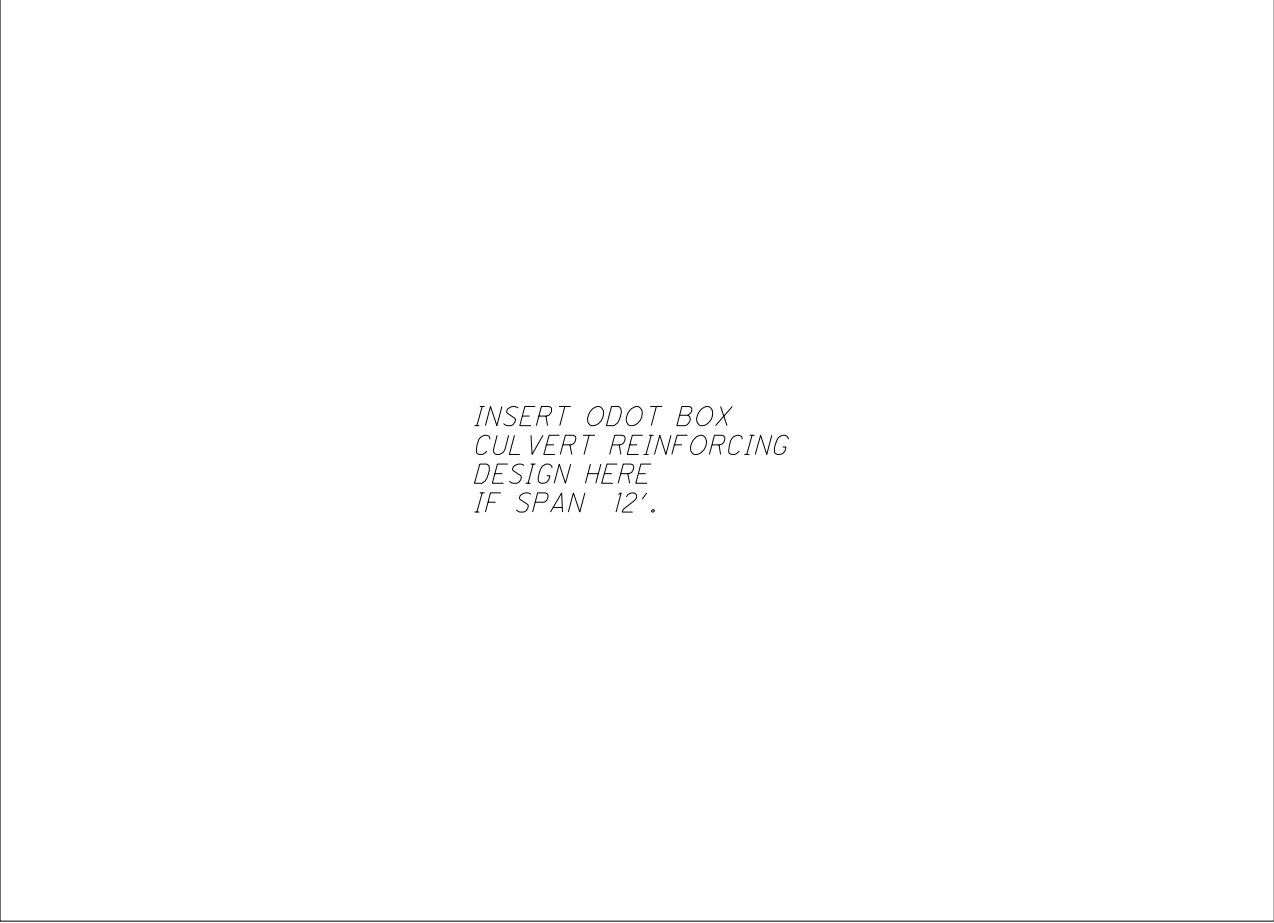
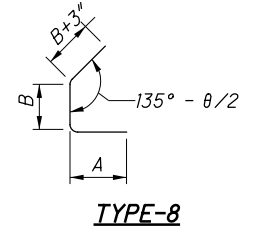
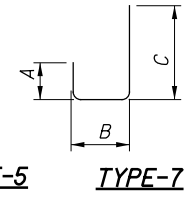
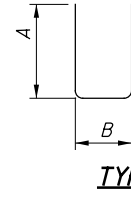
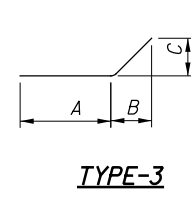
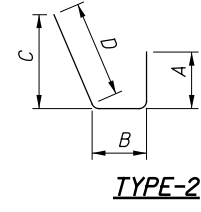
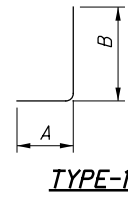
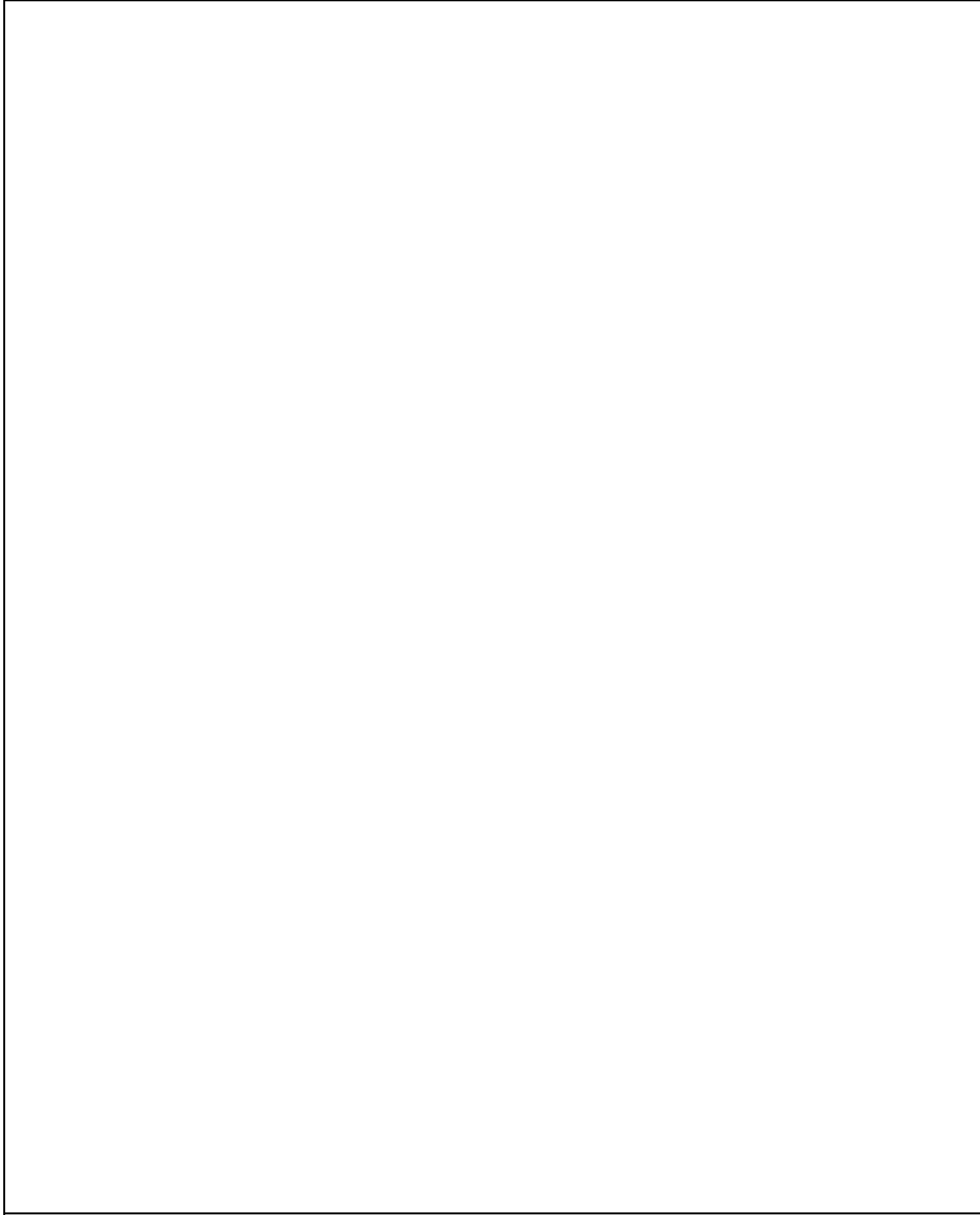
- NOTES**
- FOR CULVERT LOCATION PLAN, SEE SHEET xx/xx.
 - FOR PRECAST BOX CULVERT DETAILS, SEE SHEET xx/xx.
 - THE BAR SIZE NUMBER IS SPECIFIED ON THE PLANS IN THE BAR MARK COLUMN. THE FIRST DIGIT INDICATES THE BAR SIZE NUMBER. FOR EXAMPLE, WW501 IS A NO.5 BAR. BAR DIMENSIONS SHOWN ARE OUT TO OUT. ALL REINFORCING STEEL SHALL BE EPOXY COATED.
 - THE LAP SPLICE LENGTHS USED IN THESE DETAILS ARE AS FOLLOWS: 2'-5" FOR #5 BARS; 2'-11" FOR #6 BARS.

LEGEND:

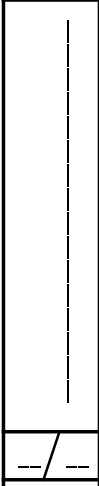
C.J.	CONSTRUCTION JOINT	N.F.	NEAR FACE
CLR.	CLEAR	SER.	SERIES
DIA.	DIAMETER	STR.	STRAIGHT
E.F.	EACH FACE	(T)	TOP
F.F.	FAR FACE	(B)	BOTTOM
MAX.	MAXIMUM	T&B	TOP AND BOTTOM
MIN.	MINIMUM	TYP.	TYPICAL
PEJF	PERFORMED EXPANSION JOINT FILLER	INC.	INCREMENT

θ = \odot CULVERT SKEW FROM LINE NORMAL TO ROADWAY (ROUNDED TO NEAREST 15° INCREMENT FROM 0° TO 45°)

O:\BRIDGES\Meddies\Box Culvert Headwalls\BoxCulHWPlan_Inserts_V8.1.dgn Sheet 7/3/2019 2:15:43 PM smeaddies



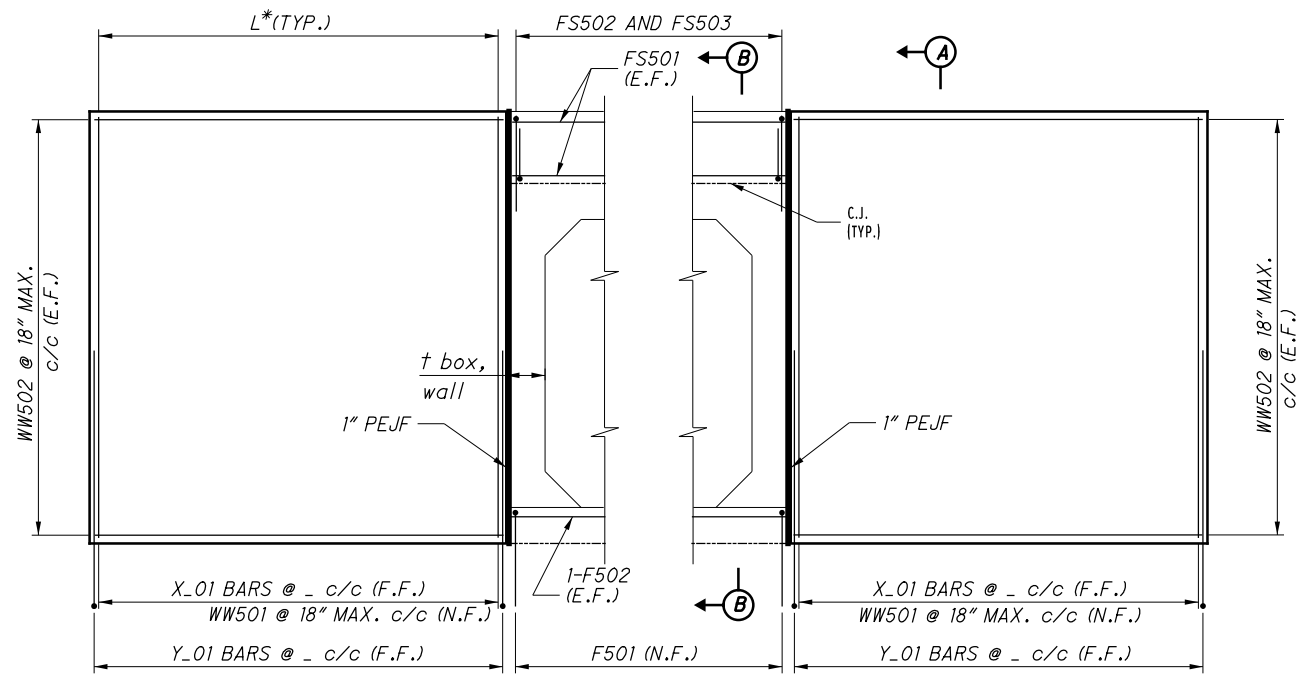
INSERT ODOT BOX
CULVERT REINFORCING
DESIGN HERE
IF SPAN 12'.



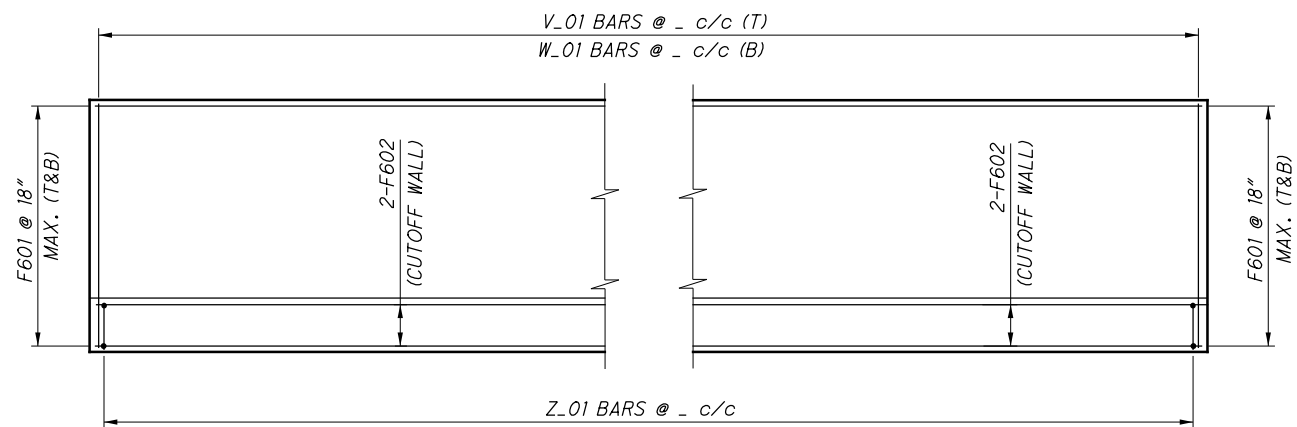
PLAN INSERT SHEET

CHECKED	DESIGNED	REVIEWED
---	---	---

OFFICE OF
STRUCTURAL
ENGINEERING



WINGWALL ELEVATION
(FOOTING NOT SHOWN)



FOOTING PLAN

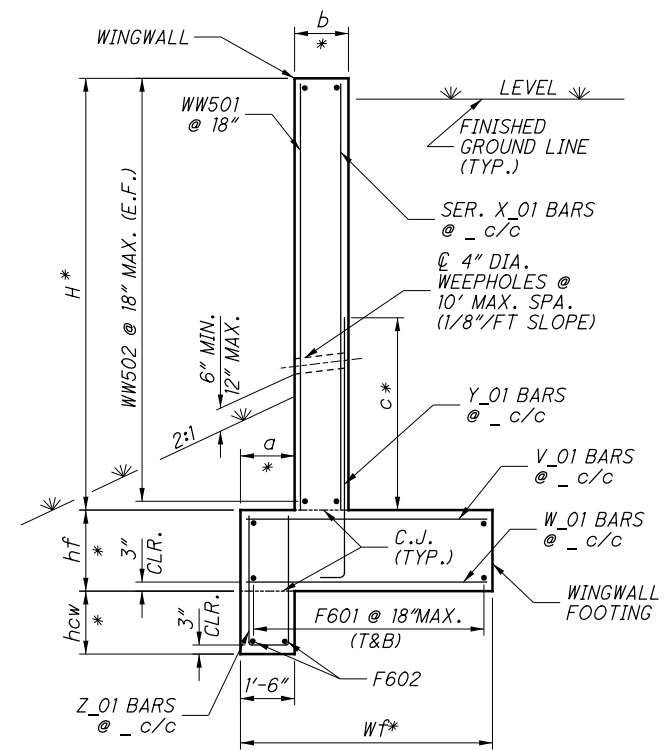
NOTES

1. FOR CULVERT LOCATION PLAN, SEE SHEET xx/xx.
2. FOR PRECAST BOX CULVERT DETAILS, SEE SHEET xx/xx.
3. THE BAR SIZE NUMBER IS SPECIFIED ON THE PLANS IN THE BAR MARK COLUMN. THE FIRST DIGIT INDICATES THE BAR SIZE NUMBER. FOR EXAMPLE, WW501 IS A NO.5 BAR. BAR DIMENSIONS SHOWN ARE OUT TO OUT. ALL REINFORCING STEEL SHALL BE EPOXY COATED.
4. THE LAP SPLICE LENGTHS USED IN THESE DETAILS ARE AS FOLLOWS: 2'-5" FOR #5 BARS; 2'-11" FOR #6 BARS.

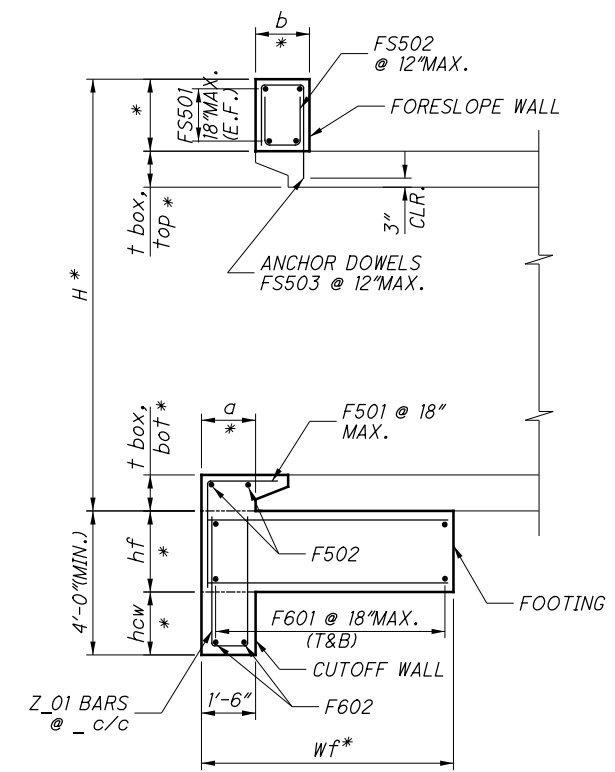
LEGEND:

C.J.	CONSTRUCTION JOINT	N.F.	NEAR FACE
CLR.	CLEAR	SER.	SERIES
DIA.	DIAMETER	STR.	STRAIGHT
E.F.	EACH FACE	(T)	TOP
F.F.	FAR FACE	(B)	BOTTOM
MAX.	MAXIMUM	T&B	TOP AND BOTTOM
MIN.	MINIMUM	TYP.	TYPICAL
PEJF	PREFORMED EXPANSION JOINT FILLER	INC.	INCREMENT

* AN UNDERScore (.) OR AN ASTERISK (*) INDICATES A SPACE TO BE COMPLETED BY DESIGNER USING INFORMATION PICKED FROM THE STANDARD DRAWINGS.



SECTION A-A
(POROUS BACKFILL NOT SHOWN FOR CLARITY)



SECTION B-B
(CULVERT INLET BEVEL SHOWN)

