

DESIGN SPECIFICATIONS: "STANDARD SPECIFICATIONS FOR HIGHWAY BRIDGES" ADOPTED BY AASHTO, 1992, INCLUDING THE 1993 INTERIM SPECIFICATION.

DESIGN DATA: CONCRETE CLASS S f'c = 31 MPa, REINFORCING STEEL ASTM A615, A617 GRADE 400 fy = 400 MPa.

CONTROL JOINTS FOR CONCRETE PARAPETS: THE JOINTS SHALL BE CONSTRUCTED BY SAWING 25 mm DEEP ALONG PERIMETER OF THE PARAPET AS SOON AS THE SAW CAN BE OPERATED WITH OUT DAMAGING THE CONCRETE.

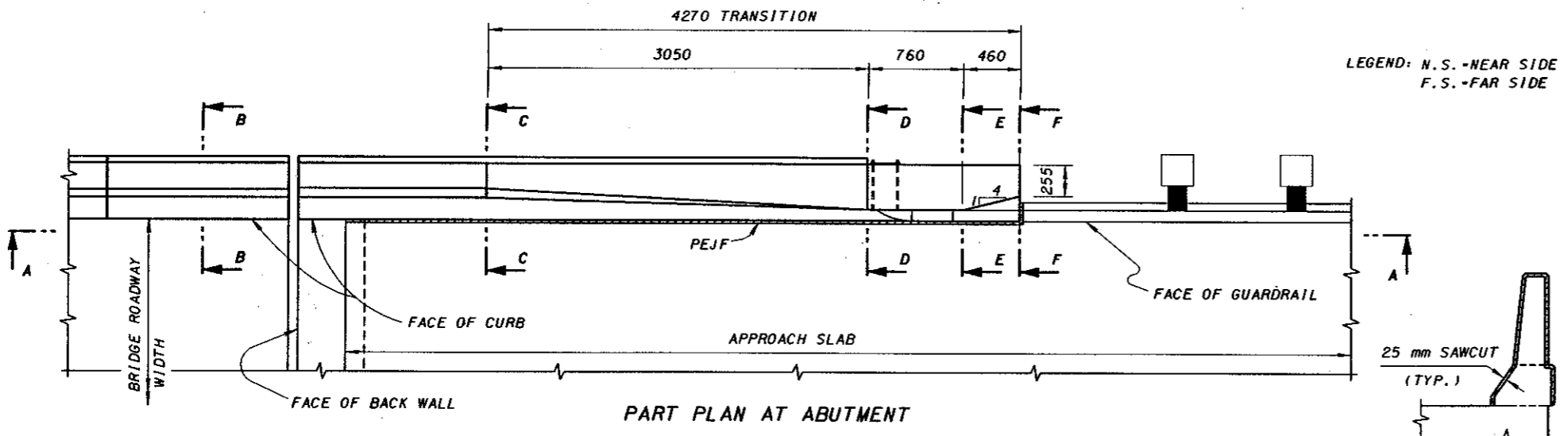
THE USE OF AN EDGE GUIDE, FENCE, OR JIG IS REQUIRED TO INSURE THAT THE CUT JOINT IS STRAIGHT, TRUE, AND ALIGNED ON ALL FACES OF THE PARAPET. THE JOINT WIDTH SHALL BE THE WIDTH OF THE SAW BLADE, A NOMINAL WIDTH OF 6 mm.

THE PERIMETER OF THE DEFLECTION CONTROL JOINT SHALL BE SEALED WITH A CAULKING MATERIAL TO A MINIMUM DEPTH OF 25 mm CONFORMING TO FEDERAL SPECIFICATION TT-S-00227E. THE BOTTOM 13 mm OF BOTH THE INSIDE AND OUTSIDE FACES OF THE PARAPET SHOULD BE LEFT UNSEALED TO ALLOW ANY WATER WHICH MAY ENTER THE JOINT TO ESCAPE.

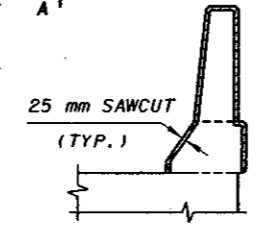
SAWCUT SHALL BE PLACED AT A MINIMUM OF 1800 mm AND MAXIMUM OF 3050 mm CENTERS.

QUANTITIES OF CONCRETE, REINFORCING STEEL, DEFLECTION JOINT SAWCUT AND CAULKING MATERIAL FOR PARAPET ARE INCLUDED WITH APPROPRIATE ITEM UNDER EITHER ABUTMENTS OR SUPERSTRUCTURE FOR PAYMENTS.

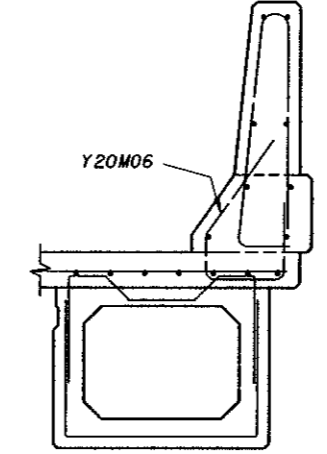
FOR BRIDGE TERMINAL ASSEMBLY SEE STANDARD CONSTRUCTION DRAWING GR-3.1M AND GR-3.2M.



LEGEND: N.S. - NEAR SIDE
F.S. - FAR SIDE



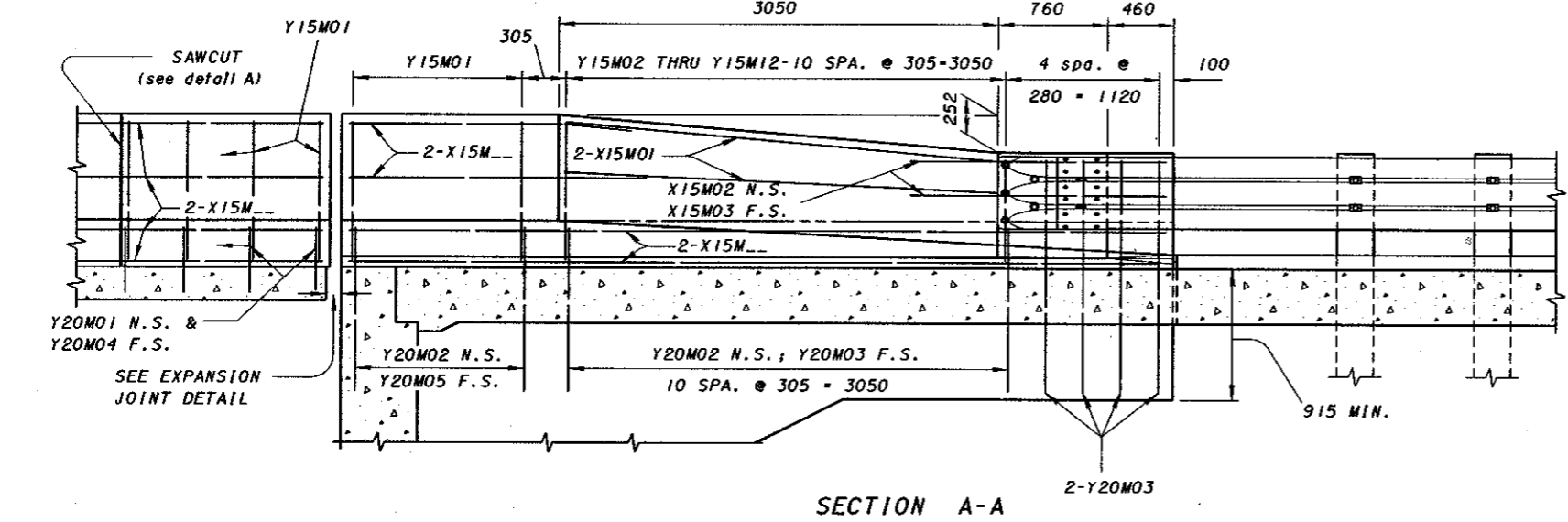
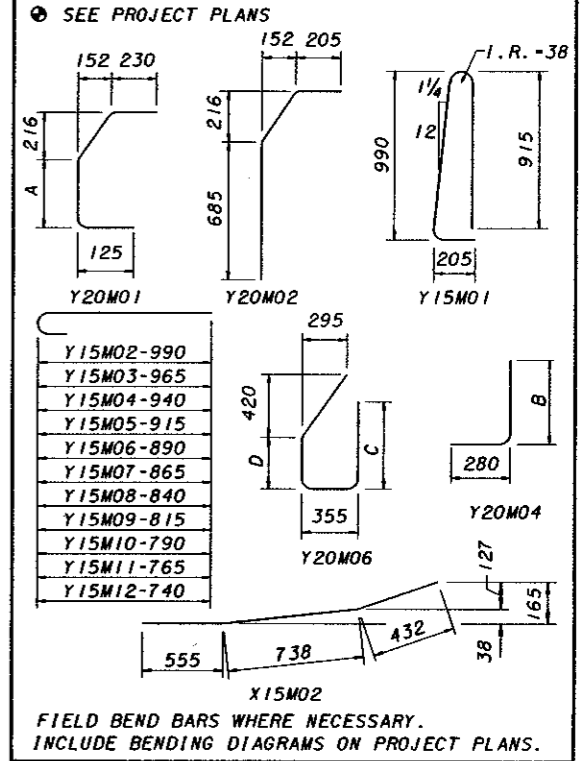
DETAIL A
(section through sawcut)
Sawcut Perimeter = 2464 mm



BOX BEAM REINFORCING DETAIL
(composite deck)

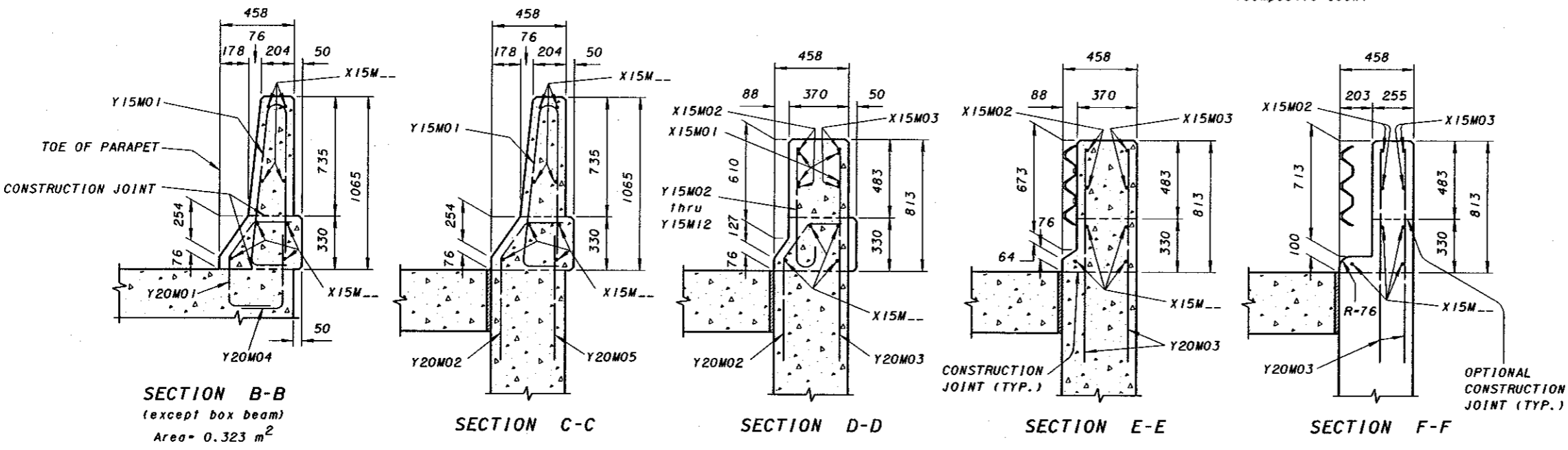
Volume of 4270 mm transition section is 1.36 m³

REINFORCING BAR LIST					
MARK	LENGTH	SHP.	MARK	LENGTH	SHP.
X15M01	3050	STR.	Y15M01	2130	BT.
X15M02	1725	BT.	Y15M02	1170	BT.
X15M03	1725	STR.	Y15M03	1165	BT.
			Y15M04	1120	BT.
X15M	⊙	STR.	Y15M05	1095	BT.
			Y15M06	1070	BT.
Y20M01	A*550	BT.	Y15M07	1045	BT.
Y20M02	1135	BT.	Y15M08	1020	BT.
Y20M03	1375	STR.	Y15M09	995	BT.
Y20M04	B*230	BT.	Y15M10	970	BT.
Y20M05	865	STR.	Y15M11	945	BT.
Y20M06	C*0*760	BT.	Y15M12	920	BT.



SECTION A-A

VERTICAL BARS SHALL BE SPACED AT 305 MAXIMUM.
(see project plans)



SECTION B-B
(except box beam)
Area = 0.323 m²

SECTION C-C

SECTION D-D

SECTION E-E

SECTION F-F

OPTIONAL CONSTRUCTION JOINT (TYP.)