

LEGEND: N.S. - NEAR SIDE  
F.S. - FAR SIDE

**DESIGN SPECIFICATIONS:** "STANDARD SPECIFICATIONS FOR HIGHWAY BRIDGES" ADOPTED BY AASHTO, 1992, INCLUDING THE 1993 INTERIM SPECIFICATION.  
**DESIGN DATA:** CONCRETE CLASS S f'c = 4500 P.S.I., REINFORCING STEEL ASTM A615, A617 GRADE 60 fy = 60000 P.S.I.

**CONTROL JOINTS FOR CONCRETE PARAPETS:** THE JOINTS SHALL BE CONSTRUCTED BY SAWING 1 INCH DEEP ALONG PERIMETER OF THE PARAPET AS SOON AS THE SAW CAN BE OPERATED WITHOUT DAMAGING THE CONCRETE.

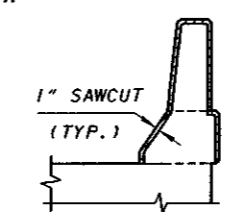
THE USE OF AN EDGE GUIDE, FENCE, OR JIG IS REQUIRED TO INSURE THAT THE CUT JOINT IS STRAIGHT, TRUE, AND ALIGNED ON ALL FACES OF THE PARAPET. THE JOINT WIDTH SHALL BE THE WIDTH OF THE SAW BLADE, A NOMINAL WIDTH OF 1/4 INCH.

THE PERIMETER OF THE DEFLECTION CONTROL JOINT SHALL BE SEALED WITH A CAULKING MATERIAL TO A MINIMUM DEPTH OF 1 INCH CONFORMING TO FEDERAL SPECIFICATION TT-S-00227E. THE BOTTOM ONE HALF INCH OF BOTH THE INSIDE AND OUTSIDE FACES OF THE PARAPET SHOULD BE LEFT UNSEALED TO ALLOW ANY WATER WHICH MAY ENTER THE JOINT TO ESCAPE.

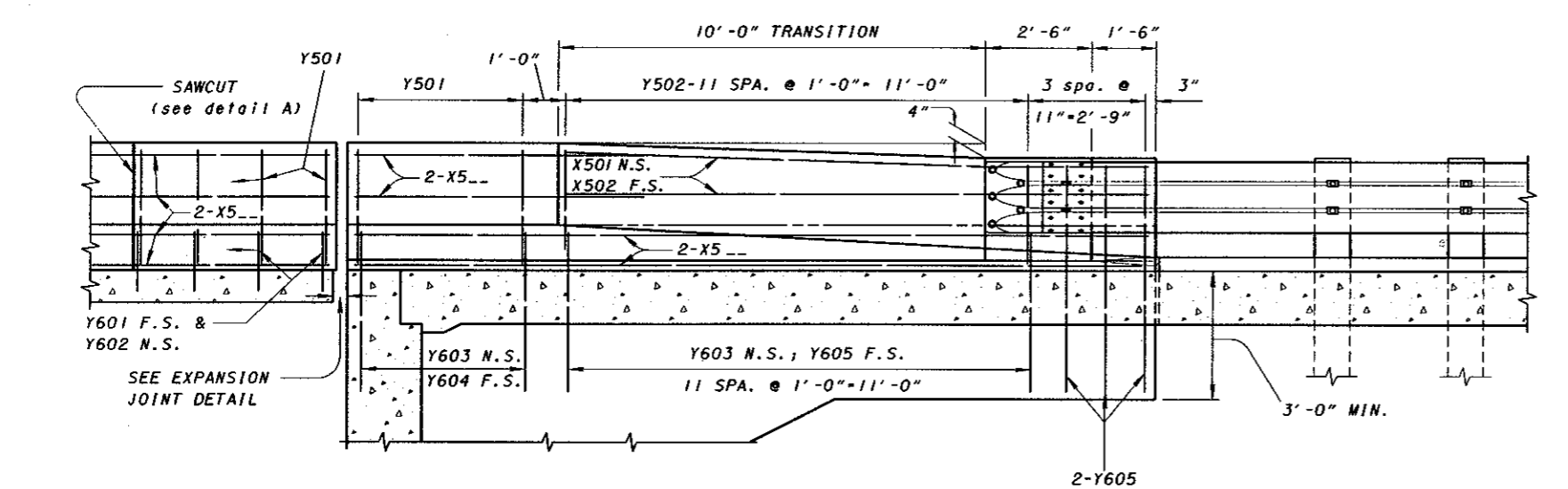
**SAWCUT** SHALL BE PLACED AT A MINIMUM OF 6'-0" AND MAXIMUM OF 10'-0" CENTERS.

QUANTITIES OF CONCRETE, REINFORCING STEEL, DEFLECTION JOINT SAWCUT AND CAULKING MATERIAL FOR PARAPET ARE INCLUDED WITH APPROPRIATE ITEM UNDER EITHER ABUTMENTS OR SUPERSTRUCTURE FOR PAYMENTS.

FOR BRIDGE TERMINAL ASSEMBLY SEE STANDARD CONSTRUCTION DRAWING GR-3.1 AND GR-3.2.

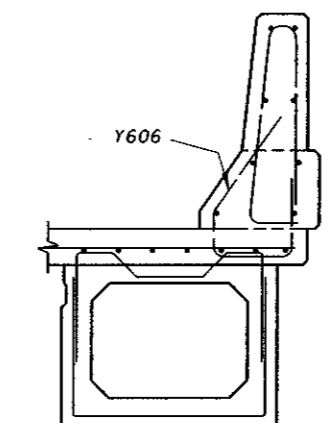


**DETAIL A**  
(section through sawcut)  
Sawcut Perimeter = 7'-1"



**SECTION A-A**

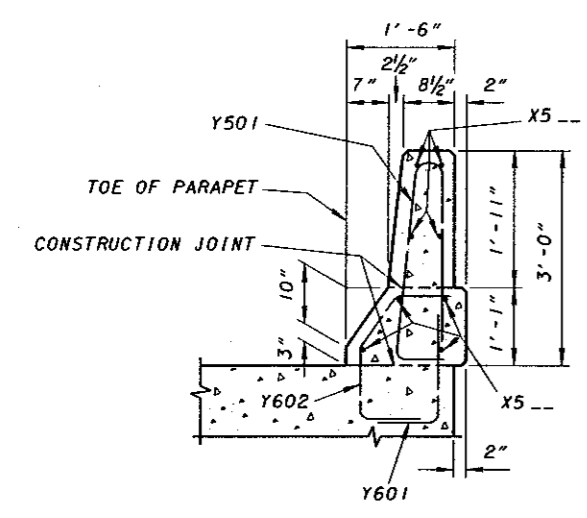
VERTICAL BARS SHALL BE SPACED AT 1'-0" MAXIMUM.  
(see project plans)



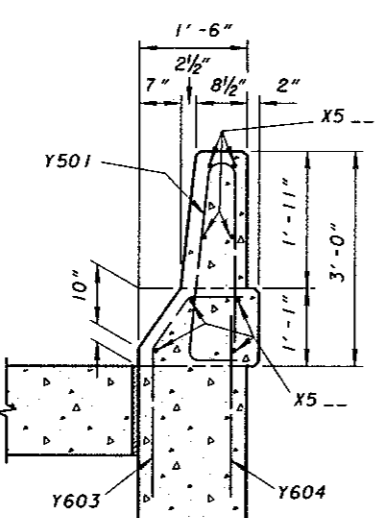
**BOX BEAM REINFORCING DETAIL**  
(composite deck)

Volume of 14'-0" transition section is 1.7 Cu.Yd.

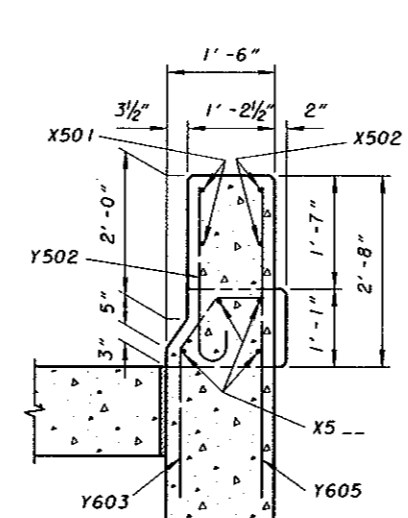
REINFORCING BAR LIST					
MARK	LENGTH	SHP.	MARK	LENGTH	SHP.
X501	13'-10"	BT.	Y601	8'-9"	BT.
X502	13'-10"	STR.	Y602	A*2'-2"	BT.
			Y603	3'-8"	BT.
X5		STR.	Y604	2'-10"	STR.
			Y605	4'-6"	STR.
Y501	6'-0"	BT.	Y606	C*D*2'-6"	BT.
Y502	3'-0"	BT.			



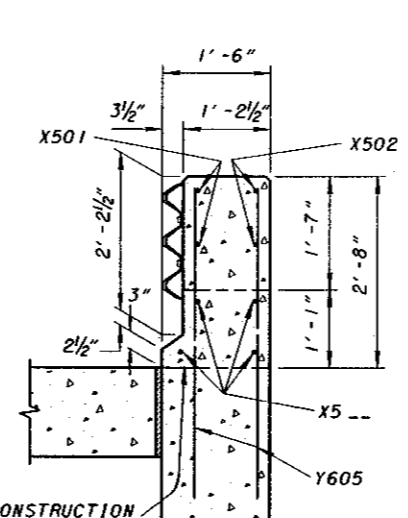
**SECTION B-B**  
(except box beam)  
Area = 449.25 Sq. In.



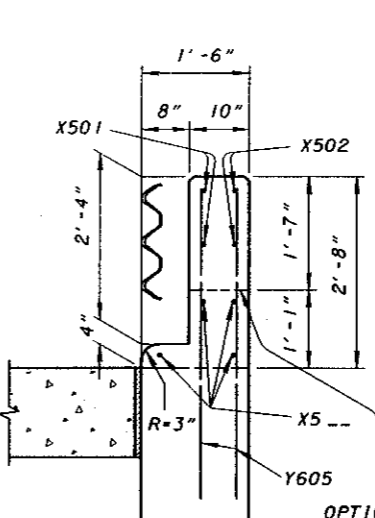
**SECTION C-C**



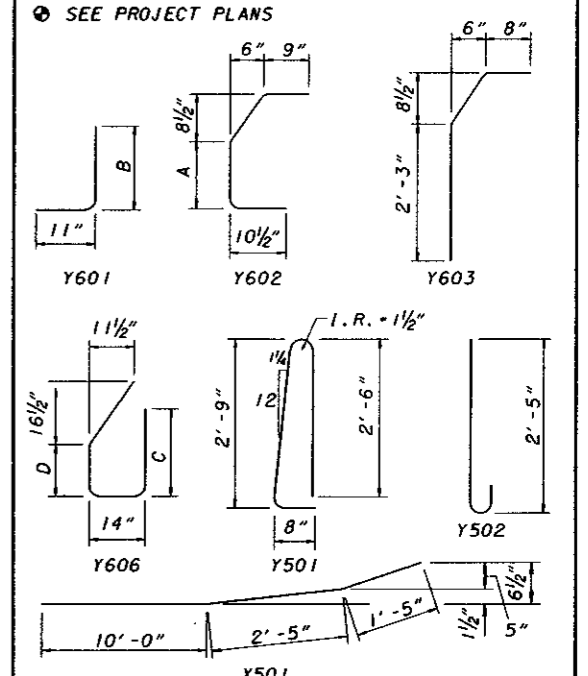
**SECTION D-D**



**SECTION E-E**



**SECTION F-F**



FIELD BEND BARS WHERE NECESSARY.  
INCLUDE BENDING DIAGRAMS ON PROJECT PLANS.

DESIGN AGENCY: BUREAU OF BRIDGES AND STRUCTURAL DESIGN  
 STATE OF OHIO DEPARTMENT OF TRANSPORTATION  
 ENGINEER OF BRIDGES: Robert B. Pfeiffer  
 DATE: 5-29-99  
 CHECKED: J.S.  
 DESIGNED: REZA  
 DRAWN: REZA  
 REVISED: 4-3-90, 7-15-94, 12-15-94  
 STANDARD: BRIDGE RAILING TYPE DEFLECTOR PARAPET TYPE 36  
 BR-1