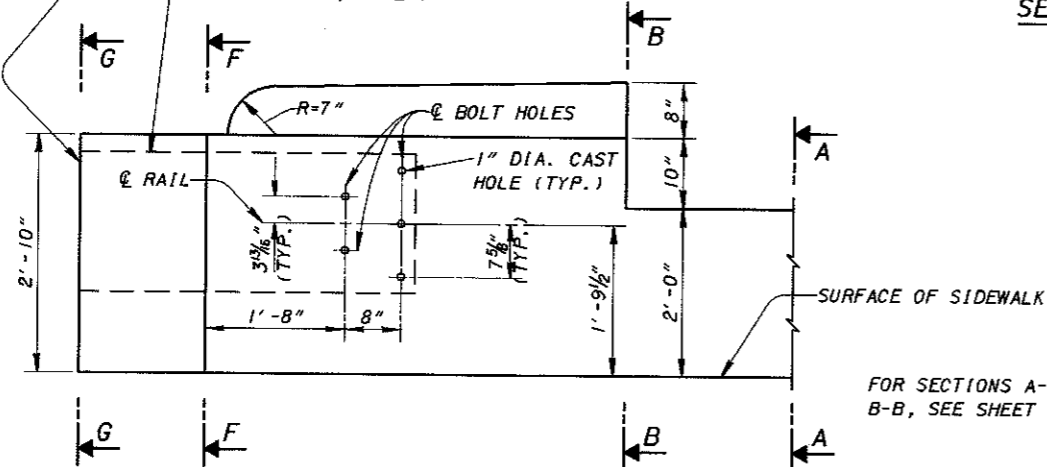


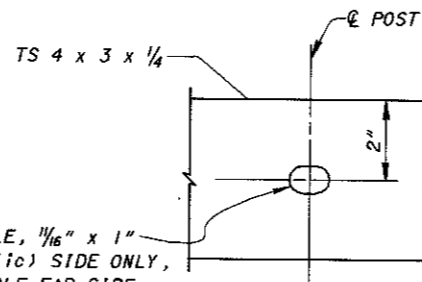
NEAR SIDE EDGE IS TO BE CHAMFERED 1" x 1"

BRIDGE TERMINAL ASSEMBLY, TYPE I



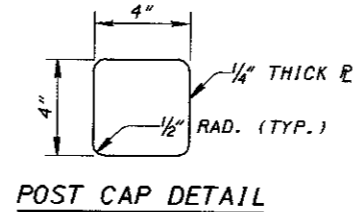
FOR SECTIONS A-A AND B-B, SEE SHEET 1/3.

ELEVATION (DIMENSIONS)
(RAILING NOT SHOWN)

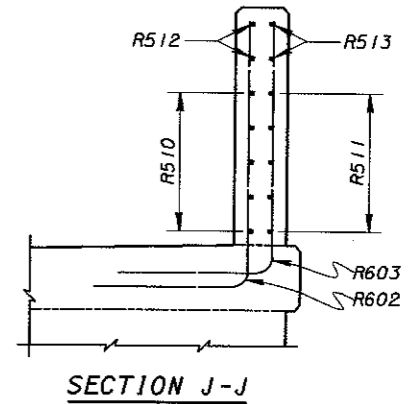


DETAIL B

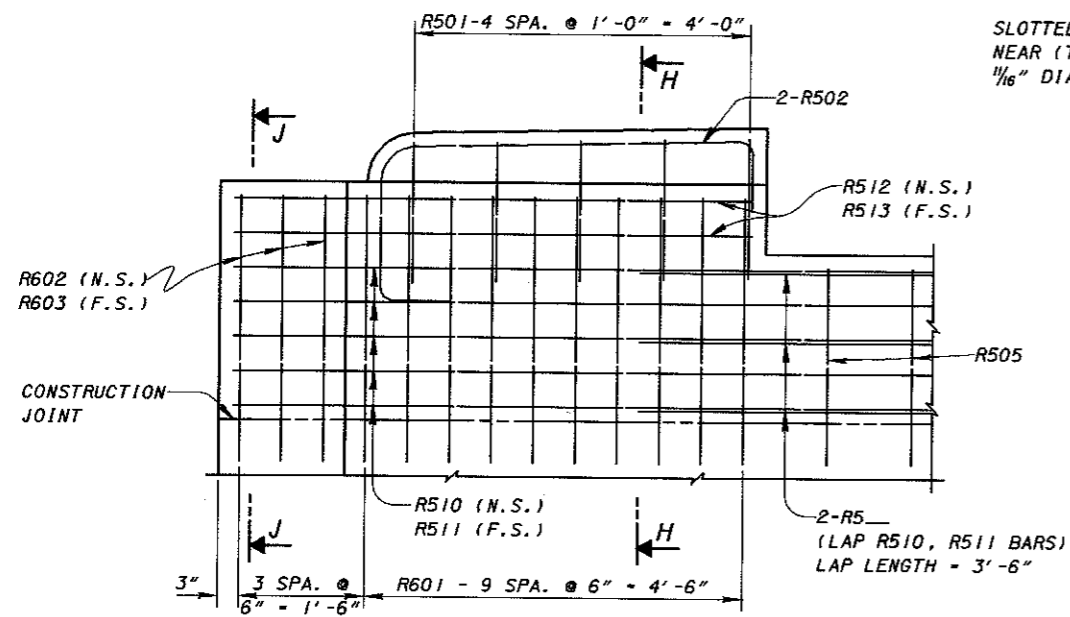
(Typical top & bottom rails)



POST CAP DETAIL

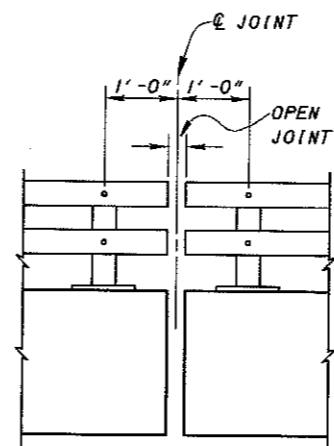


SECTION J-J



N.S. - NEAR SIDE
F.S. - FAR SIDE

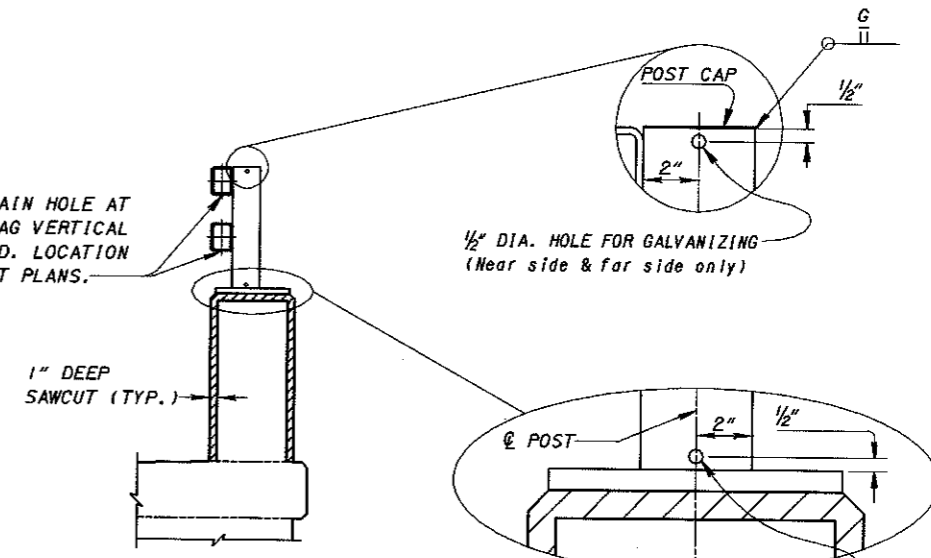
ELEVATION (REINFORCING)
(RAILING NOT SHOWN)



RAILING DETAIL

(AT DECK EXPANSION JOINT)

PROVIDE 1/2" DIA. DRAIN HOLE AT LOWEST POINT WHEN SAG VERTICAL CURVES ARE ENCOUNTERED. LOCATION TO BE SHOWN ON PROJECT PLANS.



DETAIL A

(Section through control joint)

BRIDGE SIDEWALK RAILING WITH APPROACH RAILING

(For details not shown, see sheet 1/3).

DESIGN AGENCY	OFFICE OF	STRUCTURAL ENGINEERING
STATE OF OHIO DEPARTMENT OF TRANSPORTATION	12-29-98	DATE
ADMINISTRATOR	Brad Fogwell	
REVISIONS	DESIGNED	SDS
CHECKED	SAM	
REVIEWED	WTL	
BR-2-98		
STANDARD	BRIDGE SIDEWALK RAILING WITH CONCRETE PARAPETS	
2/3		