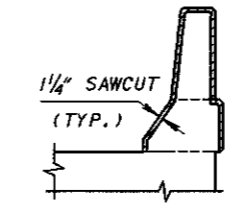


LEGEND: N.S. - NEAR SIDE
F.S. - FAR SIDE



DESIGN SPECIFICATIONS: "STANDARD SPECIFICATIONS FOR HIGHWAY BRIDGES" ADOPTED BY AASHTO, 1996, INCLUDING THE 1997 INTERIM SPECIFICATION.

DESIGN DATA: CONCRETE CLASS S f'c = 4500 PSI. REINFORCING STEEL ASTM A615, A616 OR A617 GRADE 60 fy = 60000 PSI.

CONTROL JOINTS FOR CONCRETE PARAPETS: THE JOINTS SHALL BE CONSTRUCTED BY SAWING 1/4 INCH DEEP ALONG PERIMETER OF THE PARAPET AS SOON AS THE SAW CAN BE OPERATED WITHOUT DAMAGING THE CONCRETE.

THE USE OF AN EDGE GUIDE, FENCE, OR JIG IS REQUIRED TO ENSURE THAT THE CUT JOINT IS STRAIGHT, TRUE, AND ALIGNED ON ALL FACES OF THE PARAPET. THE JOINT WIDTH SHALL BE THE WIDTH OF THE SAW BLADE, A NOMINAL WIDTH OF 1/4 INCH.

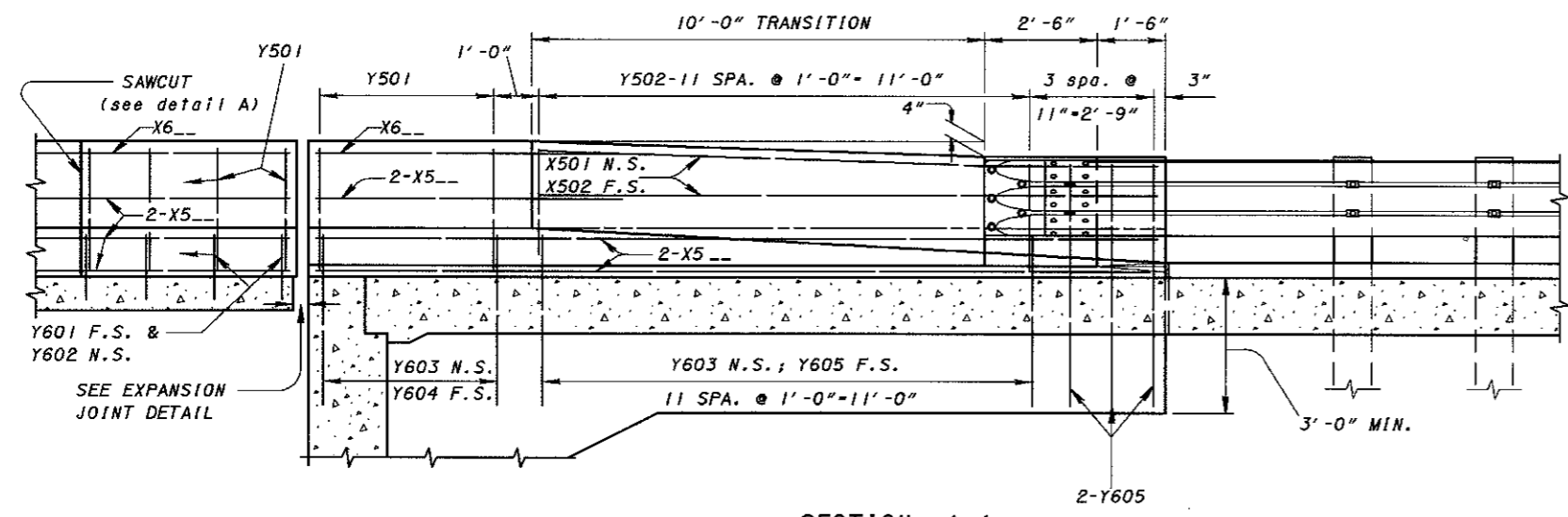
THE PERIMETER OF THE DEFLECTION CONTROL JOINT SHALL BE SEALED WITH A CAULKING MATERIAL TO A MINIMUM DEPTH OF ONE INCH CONFORMING TO FEDERAL SPECIFICATION TT-S-00227E. THE BOTTOM ONE-HALF INCH OF BOTH THE INSIDE AND OUTSIDE FACES OF THE PARAPET SHOULD BE LEFT UNSEALED TO ALLOW ANY WATER WHICH MAY ENTER THE JOINT TO ESCAPE.

SAWCUT SHALL BE PLACED AT A MINIMUM OF 6'-0" AND MAXIMUM OF 10'-0" CENTERS.

QUANTITIES OF CONCRETE, REINFORCING STEEL, DEFLECTION JOINT SAWCUT AND CAULKING MATERIAL FOR PARAPET ARE INCLUDED WITH APPROPRIATE ITEM UNDER EITHER ABUTMENTS OR SUPERSTRUCTURE FOR PAYMENTS.

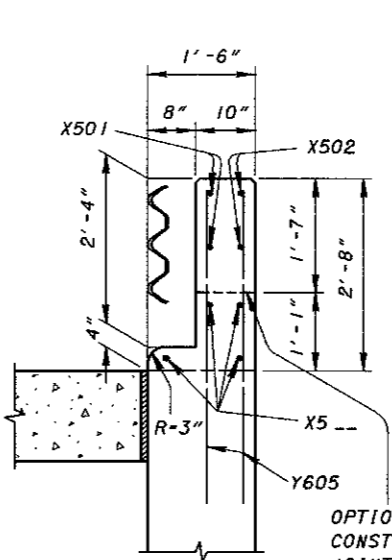
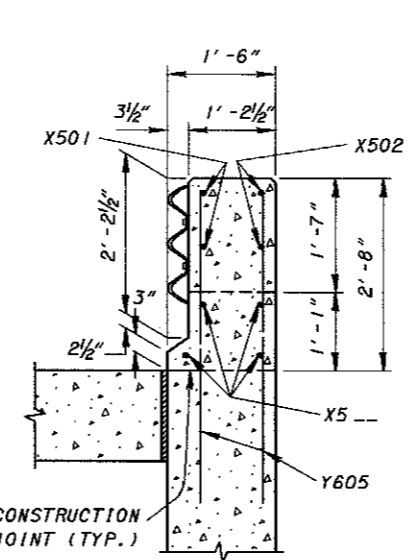
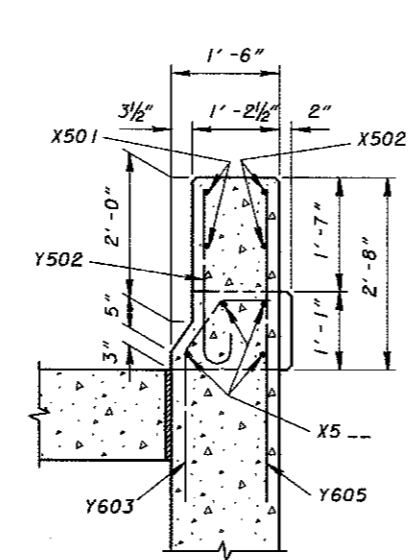
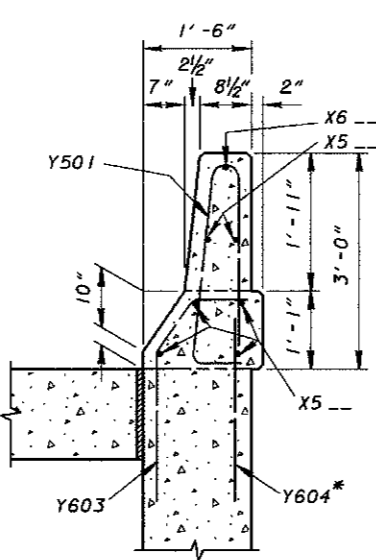
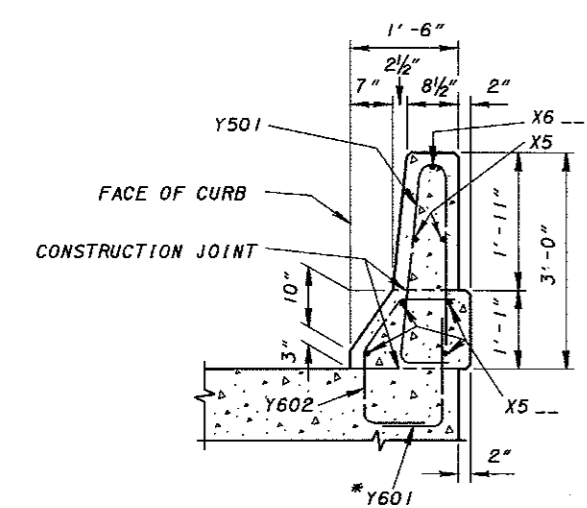
FOR BRIDGE TERMINAL ASSEMBLY SEE STANDARD CONSTRUCTION DRAWING GR-3.1 AND GR-3.2.

Volume of 14'-0" transition section is 1.7 Cu.Yd.



VERTICAL BARS SHALL BE SPACED AT 1'-0" MAXIMUM.
(see project plans)

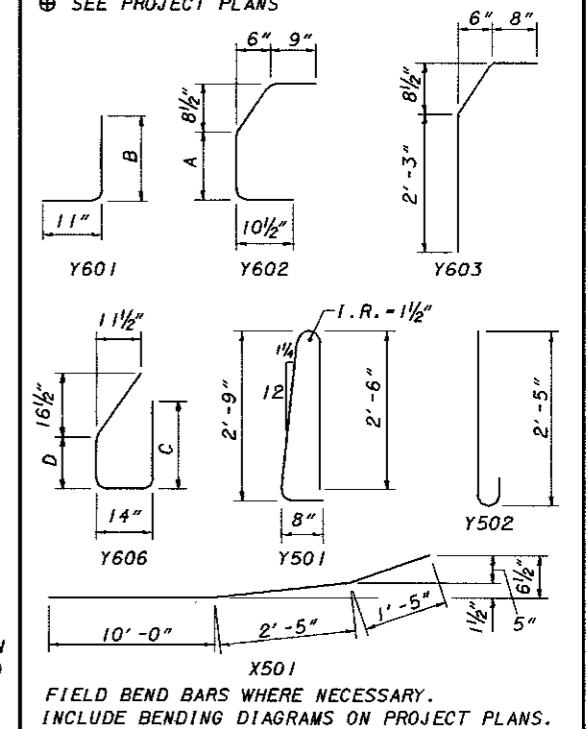
* - BARS Y601 (DIM. B), Y604, Y606 (DIM. C) SHALL EXTEND 1'-9" TO 2'-0" ABOVE THE CONSTRUCTION JOINT BETWEEN DECK AND PARAPET.



BOX BEAM REINFORCING DETAIL
(composite deck)

REINFORCING BAR LIST					
MARK	LENGTH	SHP.	MARK	LENGTH	SHP.
X501	13'-10"	BT.	Y601	B+9"	BT.
X502	13'-10"	STR.	Y602	A+2'-2"	BT.
X5	⊕	STR.	Y603	3'-8"	BT.
			Y604	2'-10"	STR.
X6	⊕	STR.	Y605	4'-6"	STR.
			Y606	C+D+2'-8"	BT.
Y501	6'-0"	BT.			
Y502	3'-0"	BT.			

⊕ SEE PROJECT PLANS



CHECKED: JS
DESIGNED: REZA
REVISIONS: 07-15-94, 12-15-94, 01-06-99

REVIEWED: L.M.W.
DRAWN: REZA

STANDARD: BRIDGE RAILING DEFLECTOR PARAPET TYPE 36"