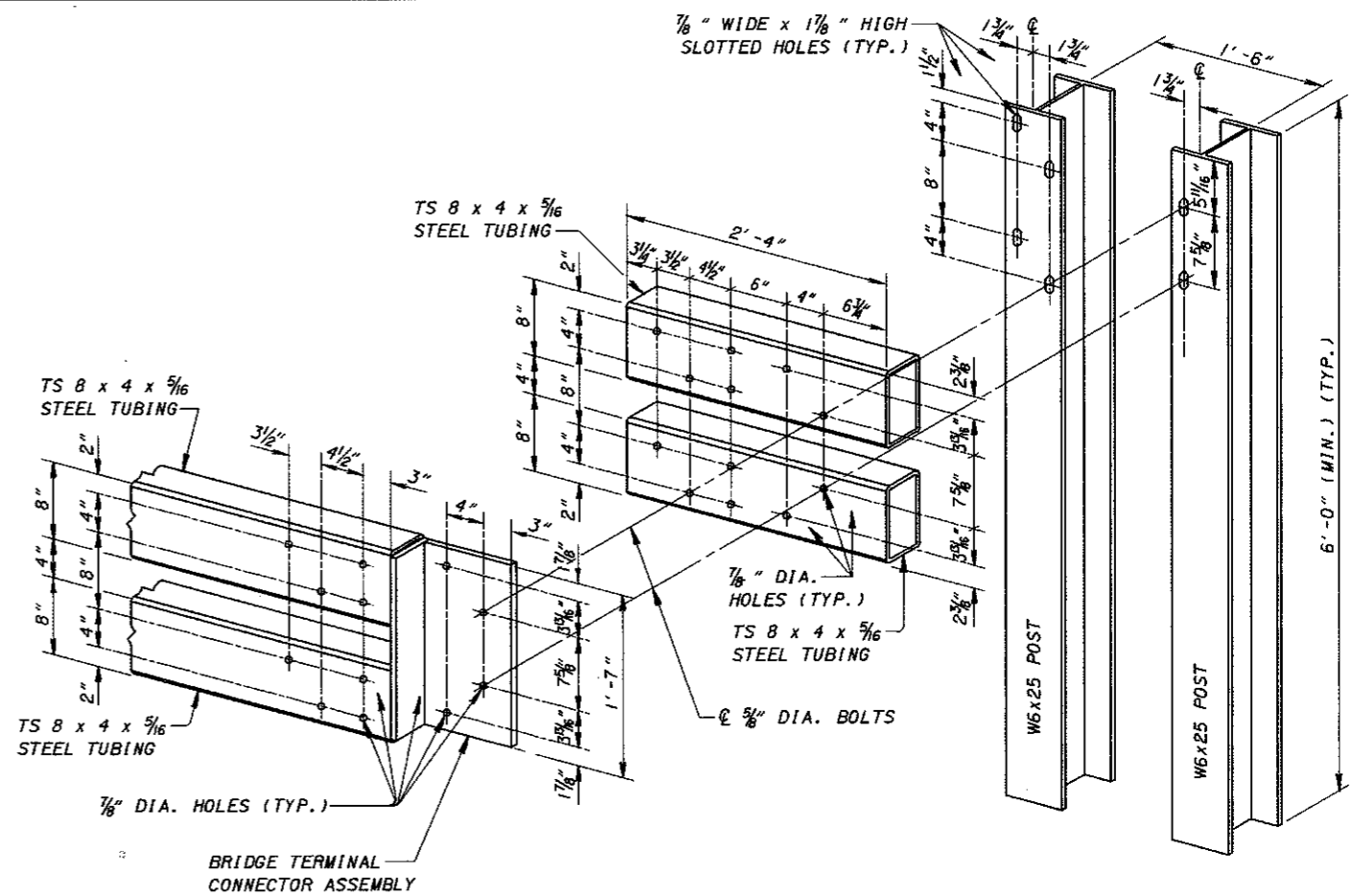


RAILING ELEVATION ON CONCRETE SLAB

TWIN TUBE RAILING WITH THRIE BEAM TERMINAL CONNECTION AS SHOWN IN SECTION B-B BELOW.

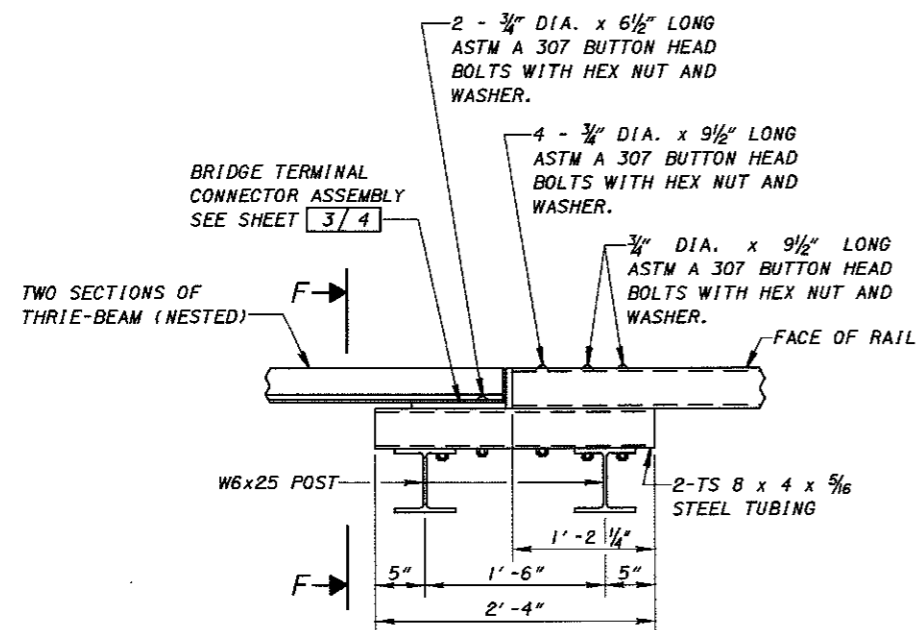
FOR SECTION A-A SEE SHEET 2/4.

* - ONE POST SPACING ON THE BRIDGE MAY BE DECREASED TO ACCOUNT FOR ANY REQUIRED CONSTRUCTION CLEARANCES. NO POST SPACING SHALL EXCEED 6'-3".

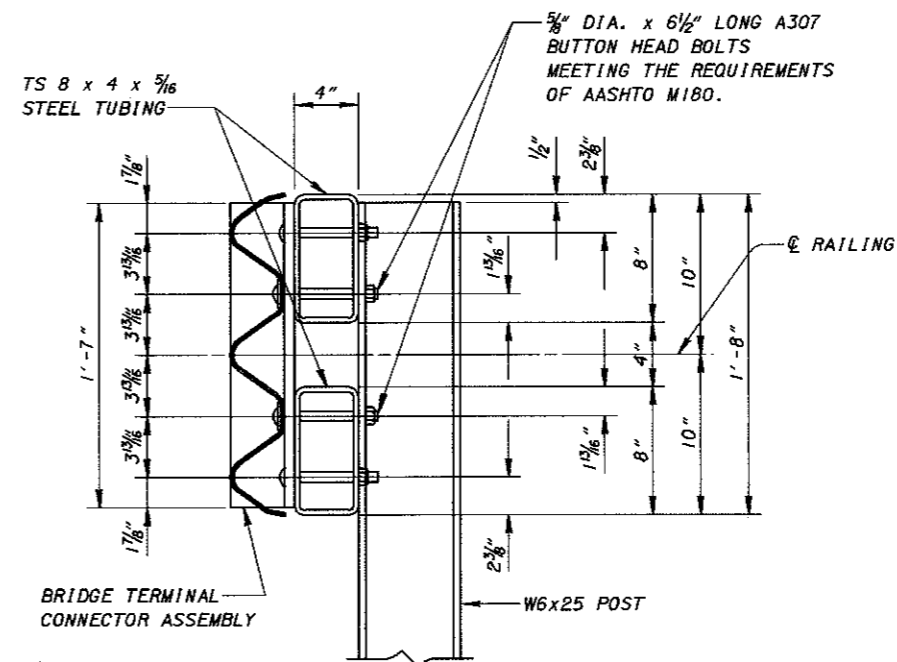


VIEW C-C

(NESTED THRIE BEAM RAILING NOT SHOWN)



SECTION B-B



VIEW F-F

SECTION THRU RAIL AT THRIE BEAM BRIDGE TERMINAL CONNECTION ASSEMBLY

DESIGN AGENCY	OFFICE OF	STRUCTURAL ENGINEERING
STATE OF OHIO DEPARTMENT OF TRANSPORTATION	7-06-99	DATE
ADMINISTRATOR		DATE
DESIGNED	REVIEWED	
AJM/SAM	J.S.	WTL
DRAWN	TST-1-99	
SAM		
STANDARD	TWIN STEEL TUBE BRIDGE RAILING	
1	4	