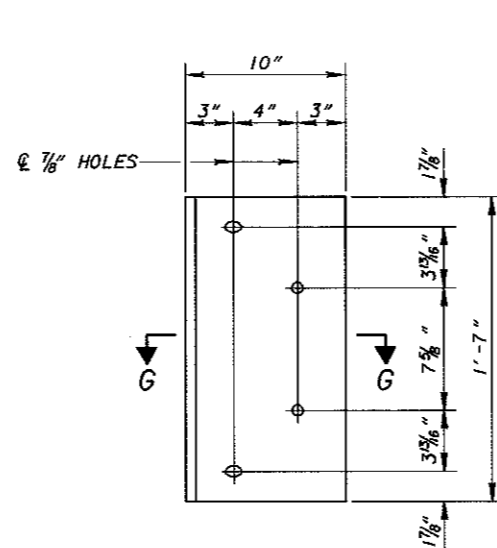
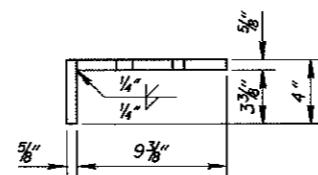


RAILING CONNECTION DETAIL

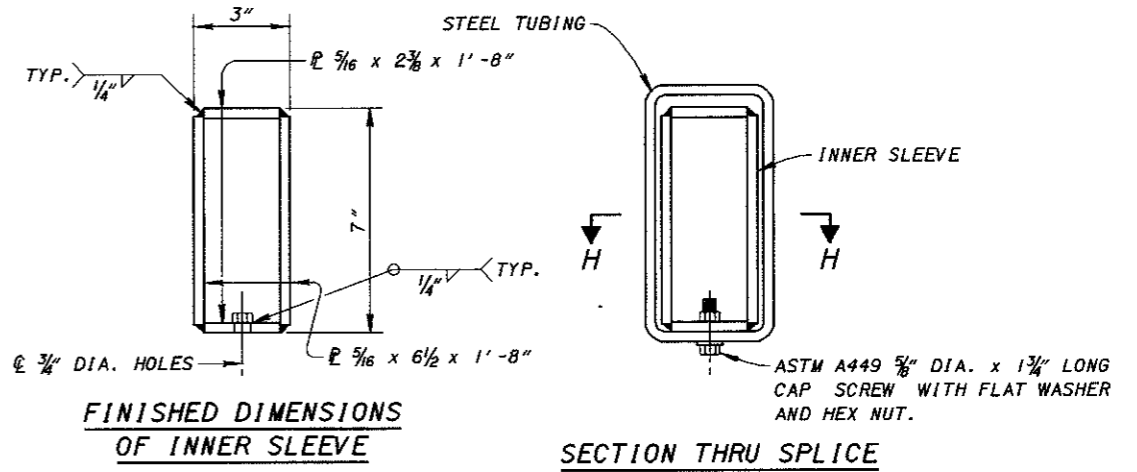


ELEVATION



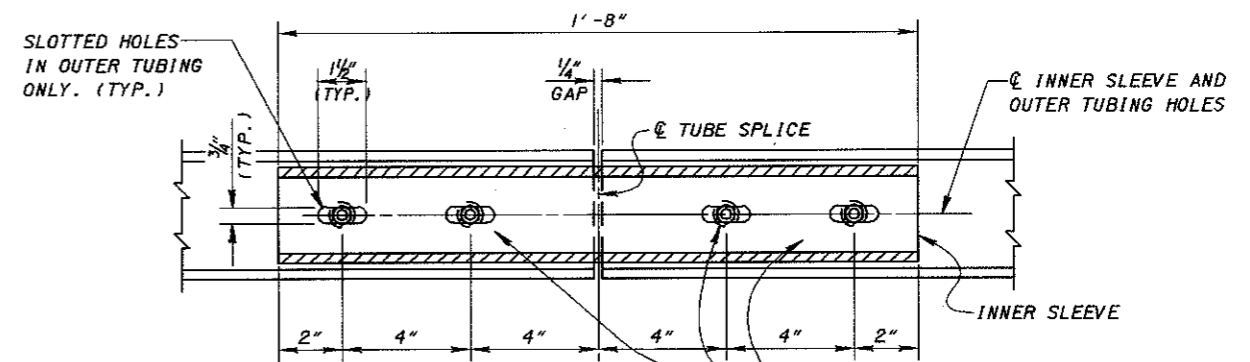
SECTION G-G

BRIDGE TERMINAL CONNECTOR ASSEMBLY



FINISHED DIMENSIONS OF INNER SLEEVE

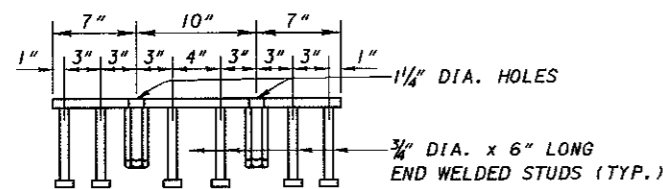
SECTION THRU SPLICE



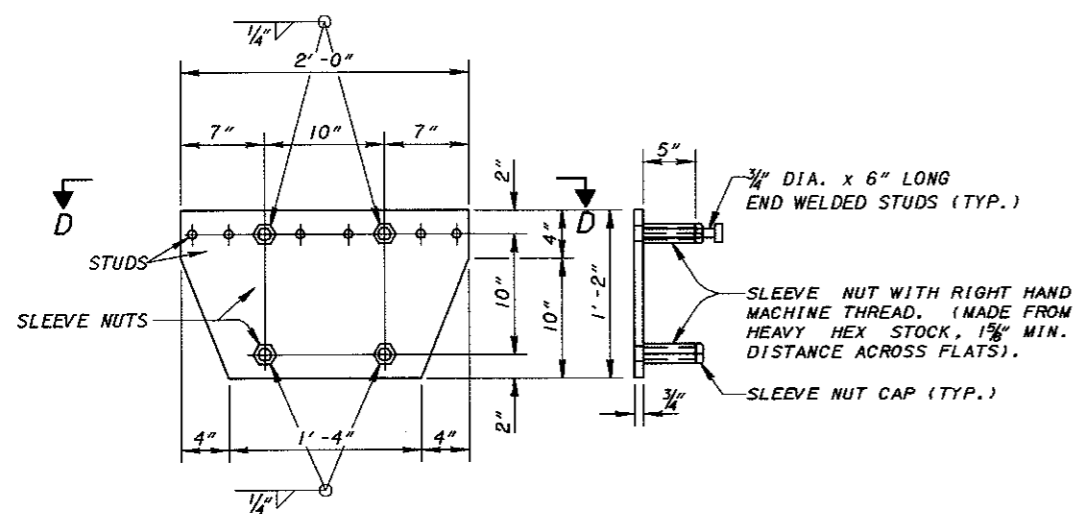
SECTION H-H

STEEL TUBE SPLICE DETAILS

BOLTS IN SLOTTED HOLES SHALL NOT BE DRAWN UP SO TIGHT AS TO PREVENT SLIDING BETWEEN THE OUTER TUBE AND THE INNER SPLICE.



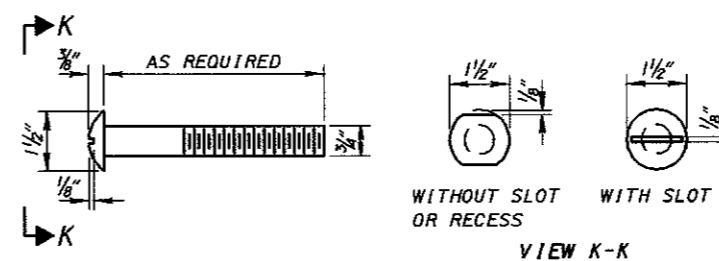
VIEW D-D



ELEVATION

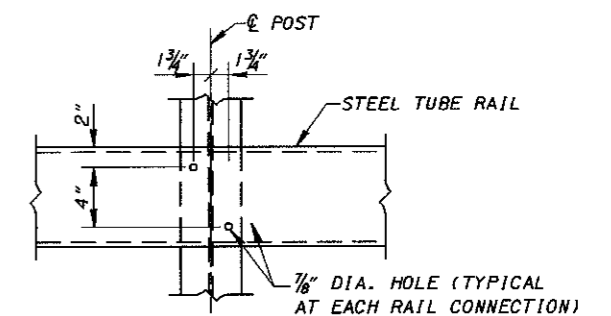
END VIEW

POST ANCHOR DEVICE

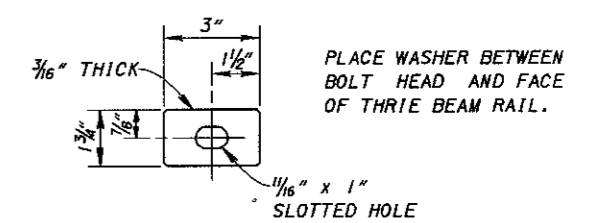


VIEW K-K

DETAIL OF 3/4 DIA. ROUND HEAD BOLT



VIEW E-E



SPECIAL WASHER