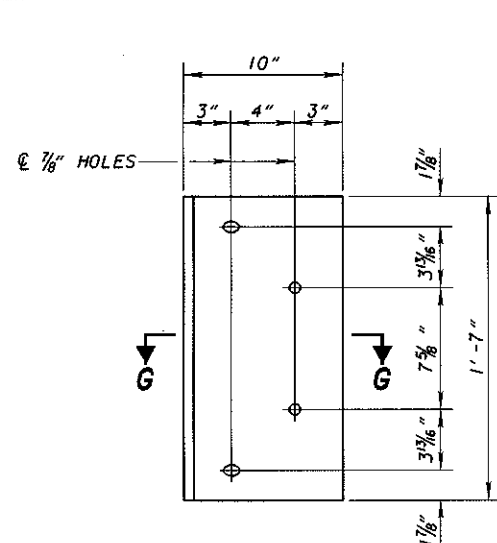
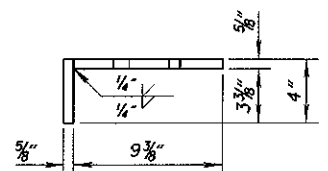


**RAILING CONNECTION DETAIL**

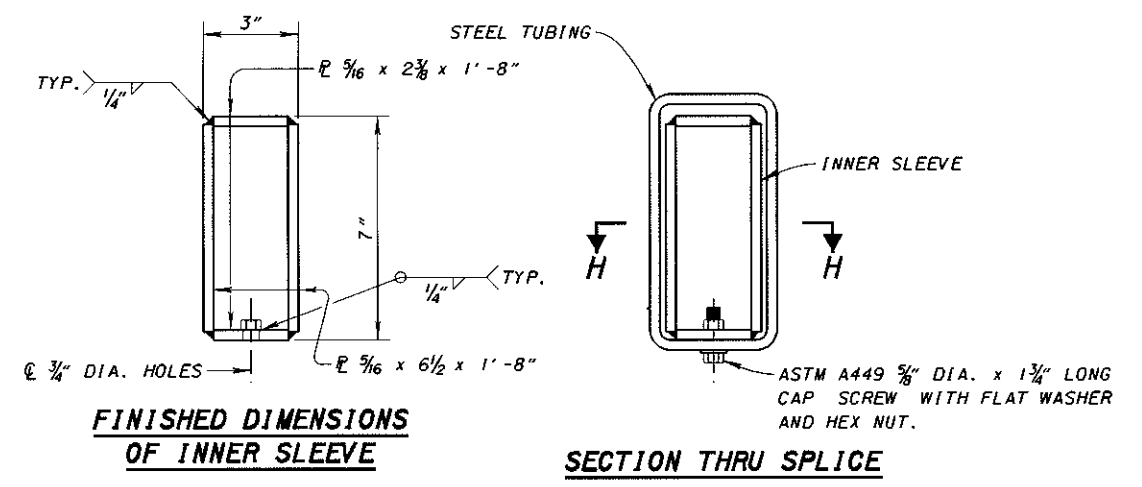


**ELEVATION**



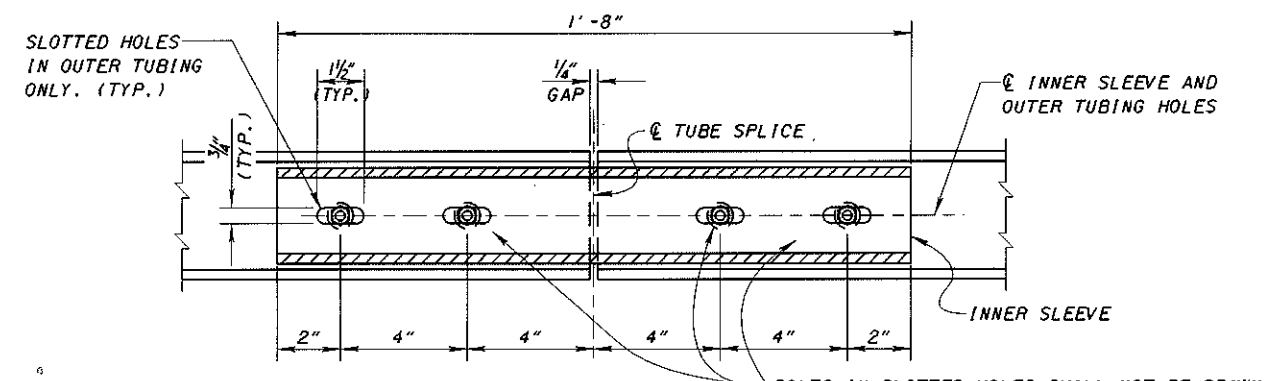
**SECTION G-G**

**BRIDGE TERMINAL CONNECTOR ASSEMBLY**



**FINISHED DIMENSIONS OF INNER SLEEVE**

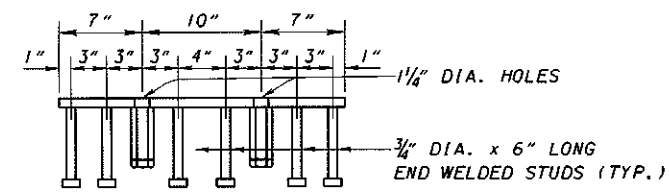
**SECTION THRU SPLICE**



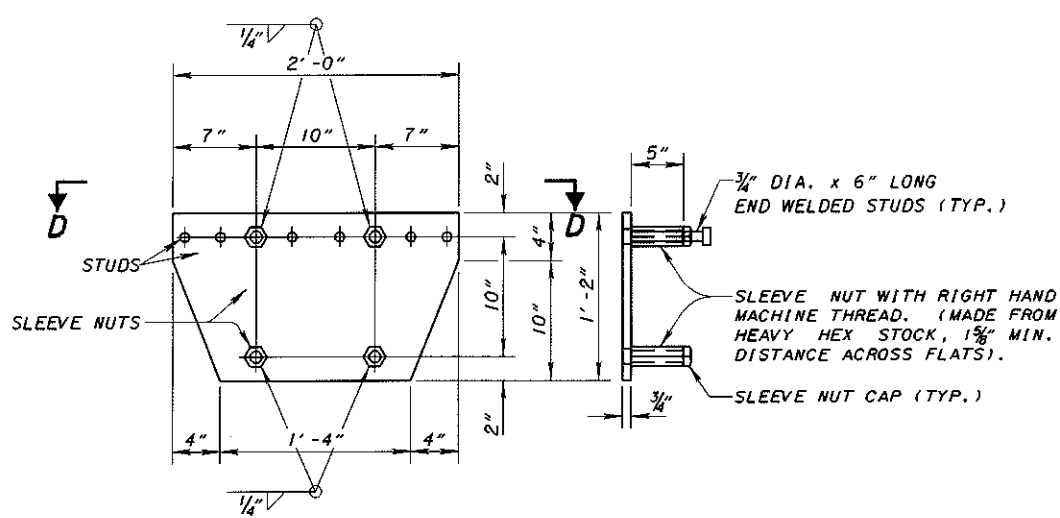
**SECTION H-H**

**STEEL TUBE SPLICE DETAILS**

BOLTS IN SLOTTED HOLES SHALL NOT BE DRAWN UP SO TIGHT AS TO PREVENT SLIDING BETWEEN THE OUTER TUBE AND THE INNER SPLICE.



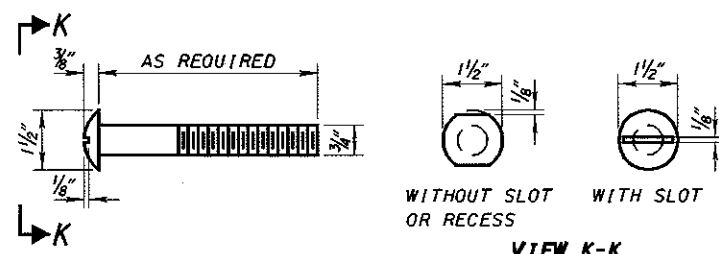
**VIEW D-D**



**ELEVATION**

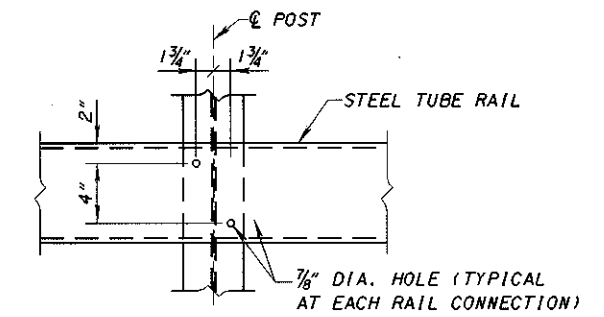
**END VIEW**

**POST ANCHOR DEVICE**

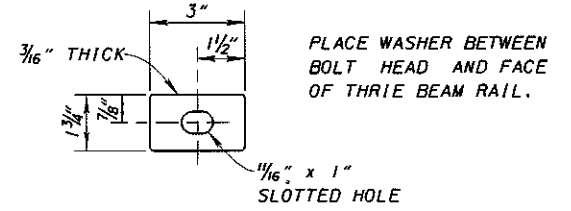


**VIEW K-K**

**DETAIL OF 3/4 DIA. ROUND HEAD BOLT**



**VIEW E-E**



**SPECIAL WASHER**