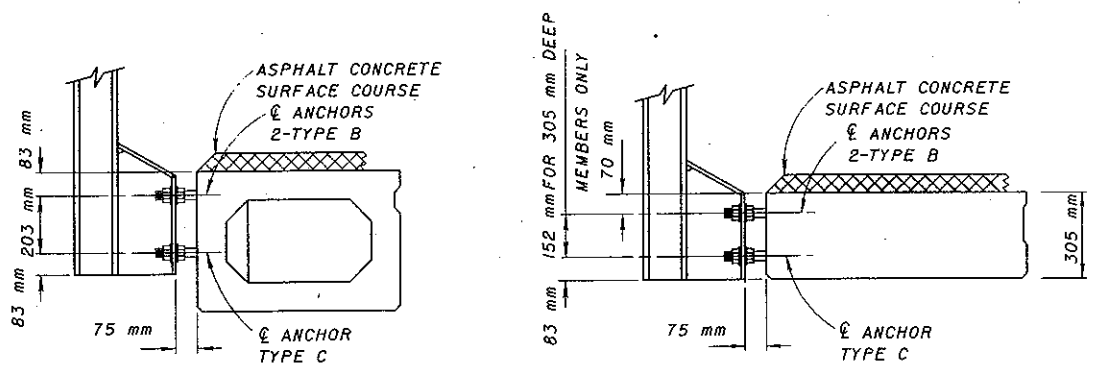
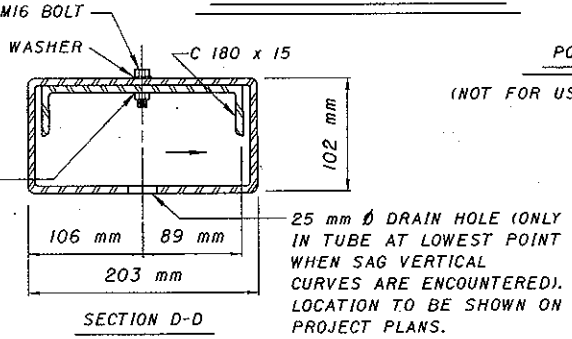
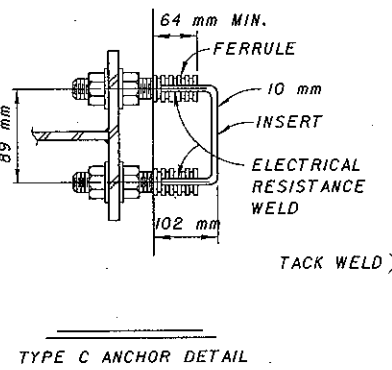
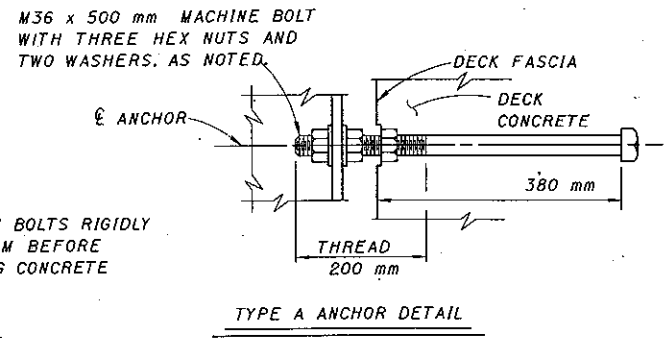
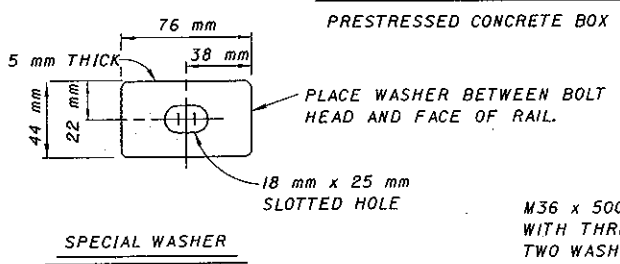
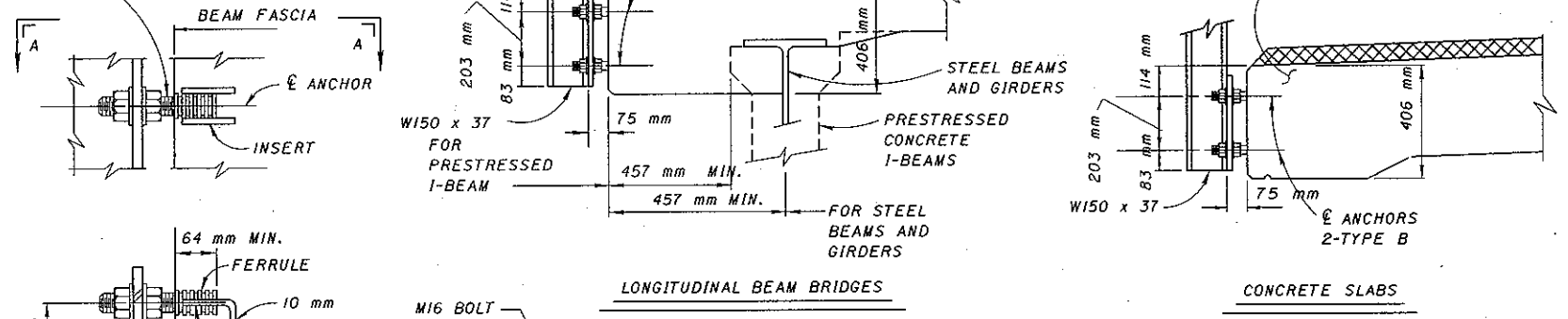


DIMENSION ① IS 152 mm OR 203 mm DEPENDING ON BOX BEAM DEPTH. SEE PROJECT PLANS AND POST ANCHORAGE DETAILS, PRESTRESSED CONCRETE BOX BEAMS. FOR DIMENSION ② SEE PROJECT PLANS. (FOR USE WITH PRESTRESSED CONCRETE BOX BEAMS)

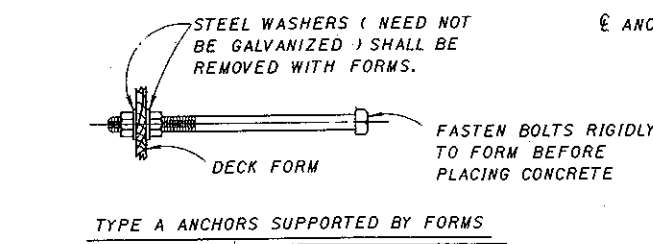


TWO M36 x 203 mm STUDS WITH MACHINE THREADS FULL LENGTH AND TWO HEX. NUTS AND WASHERS PER STUD.

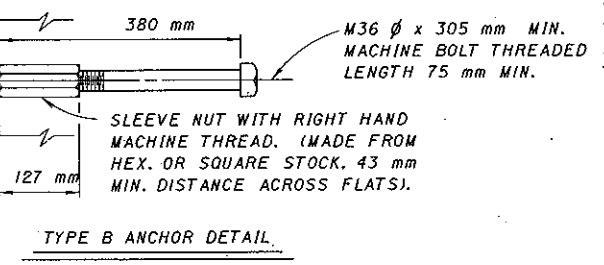


POST ANCHORAGE DETAILS
 (NOT FOR USE WITH PRESTRESSED BOX BEAMS)

MATERIAL: ALL ANCHOR BOLTS, NUTS AND STUDS SHALL CONFORM TO THE PHYSICAL PROPERTIES OF ASTM-A325M EXCEPT THAT THE ELONGATION SHALL BE 10 % THE CHEMICAL PROPERTIES ARE WAIVED.
STEEL TUBING SHALL BE AS PER ITEM 707.10. ALL GUARDRAIL POSTS SHALL BE ASTM A36M
GALVANIZING: ALL GUARDRAIL POSTS, TUBES, HARDWARE AND ACCESSORIES SHALL BE GALVANIZED IN ACCORDANCE WITH ASTM A123 OR ASTM A153, EXCEPT AS OTHERWISE NOTED.
TYPE C ANCHOR INSERTS OF A DIFFERENT TYPE MAY BE PROVIDED IF APPROVED BY THE DIRECTOR.



M36 x 200 mm STUD WITH MACHINE THREADS FULL LENGTH AND TWO HEX. NUTS AND WASHERS PER STUD



TYPE A ANCHORS SHOULD ONLY BE USED ON PROJECTS WHERE THE ORIGINAL ANCHORS WERE TYPE A AND ALL ANCHORS ON ANY SINGLE STRUCTURE ARE NOT BEING REMOVED OR REPLACED