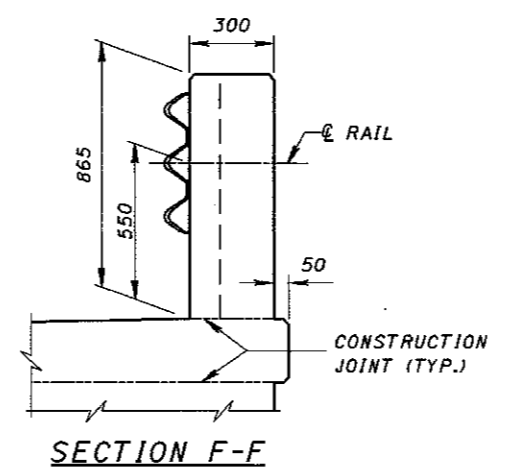
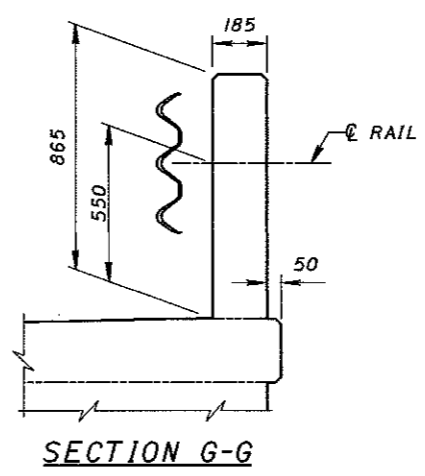


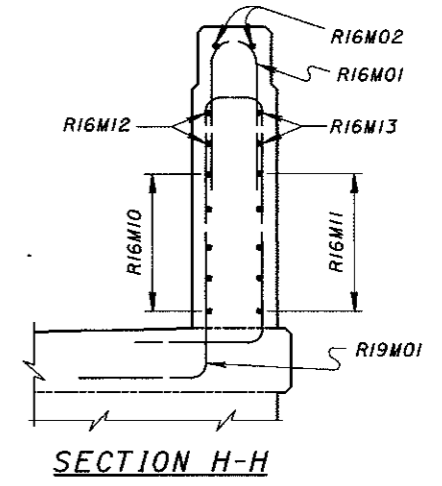
PLAN



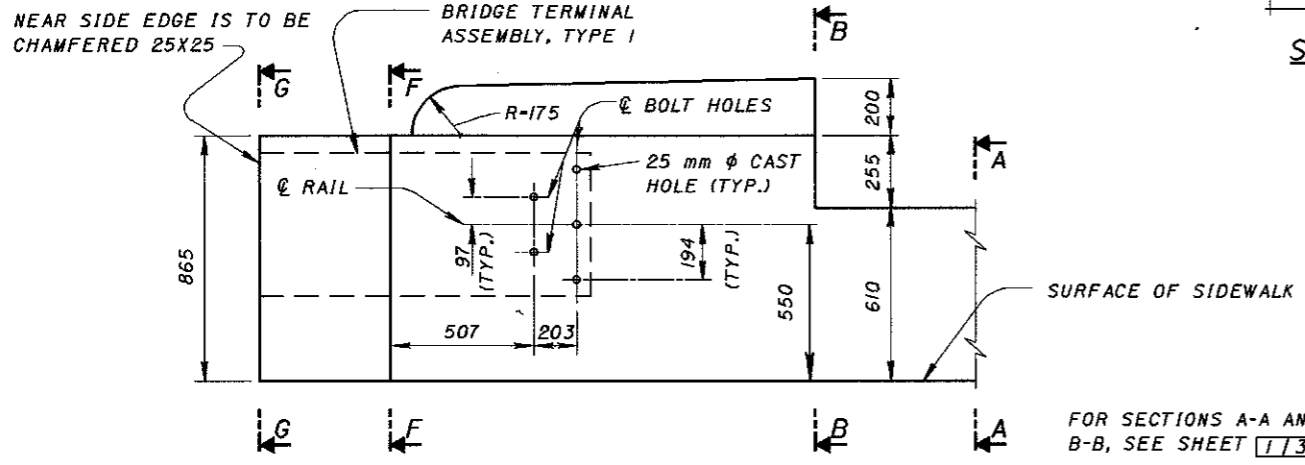
SECTION F-F



SECTION G-G

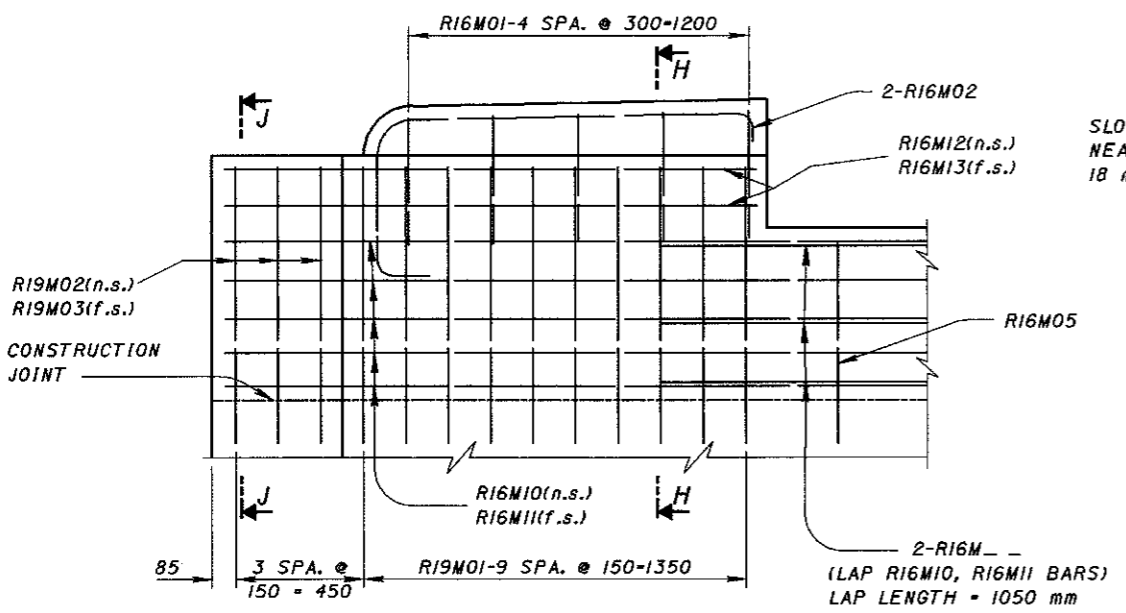


SECTION H-H



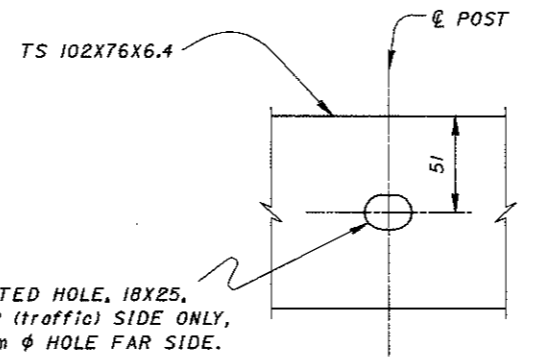
ELEVATION (DIMENSIONS)
(RAILING NOT SHOWN)

FOR SECTIONS A-A AND B-B, SEE SHEET 113

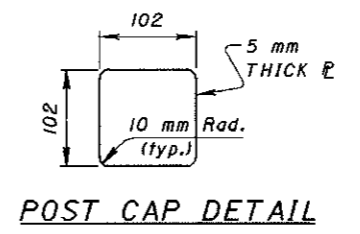


ELEVATION (REINFORCING)
(RAILING NOT SHOWN)

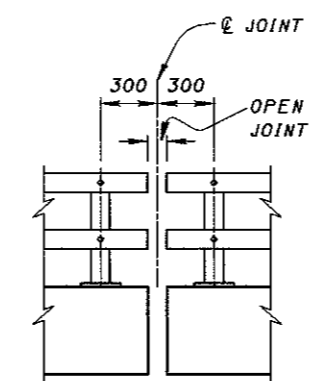
n.s. - Near Side
f.s. - Far Side



DETAIL B
(typical top & bottom rails)

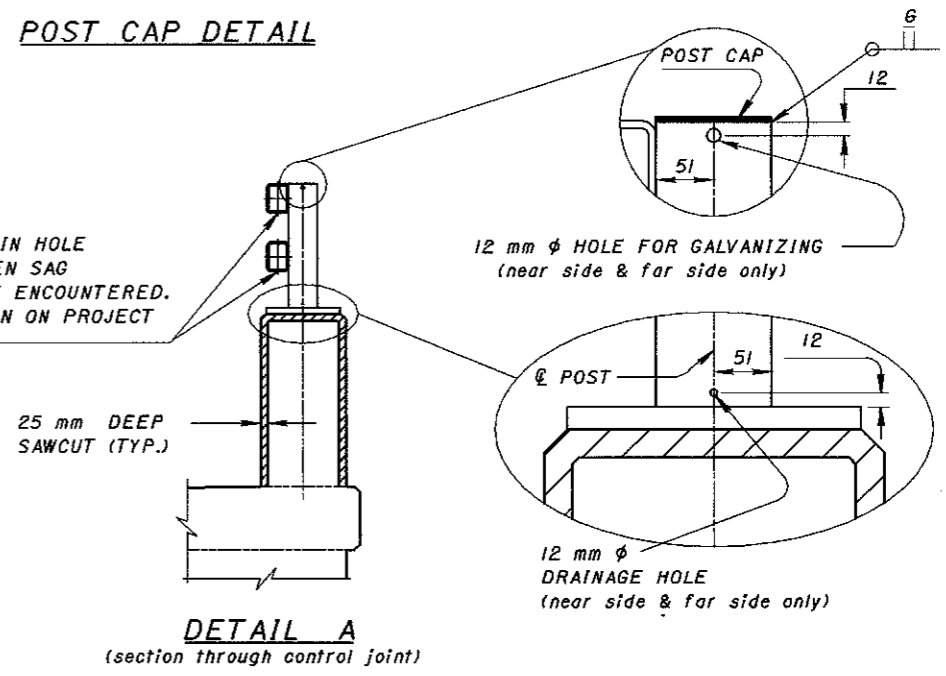


POST CAP DETAIL



RAILING DETAIL
AT DECK EXPANSION JOINT

PROVIDE 12 mm diameter DRAIN HOLE AT LOWEST POINT WHEN SAG VERTICAL CURVES ARE ENCOUNTERED. LOCATION TO BE SHOWN ON PROJECT PLANS.



DETAIL A
(section through control joint)

BRIDGE SIDEWALK RAILING WITH APPROACH RAILING

(for details not shown, see sheet 113)

DESIGN AGENCY	OFFICE OF	STRUCTURAL ENGINEERING
STATE OF OHIO DEPARTMENT OF TRANSPORTATION	12-29-98	DATE
ADMINISTRATOR	Brad Fogwell	
REVISIONS	DESIGNED	SDS
	CHECKED	SAM
	REVIEWED	WTL
	DRAWN	RZ
	BR-2-98M	
STANDARD	BRIDGE SIDEWALK RAILING	WITH CONCRETE PARAPETS
	2	3