

**DESIGN SPECIFICATIONS:** "STANDARD SPECIFICATIONS FOR HIGHWAY BRIDGES" ADOPTED BY AASHTO, 1996, INCLUDING THE 1997 INTERIM SPECIFICATION.

**DESIGN DATA:** CONCRETE CLASS S f'c = 31 MPa, REINFORCING STEEL ASTM A615M, A616M OR A617M GRADE 420 fy = 420 MPa.

**CONTROL JOINTS FOR CONCRETE PARAPETS:** THE JOINTS SHALL BE CONSTRUCTED BY SAWING 32 mm DEEP ALONG PERIMETER OF THE PARAPET AS SOON AS THE SAW CAN BE OPERATED WITHOUT DAMAGING THE CONCRETE.

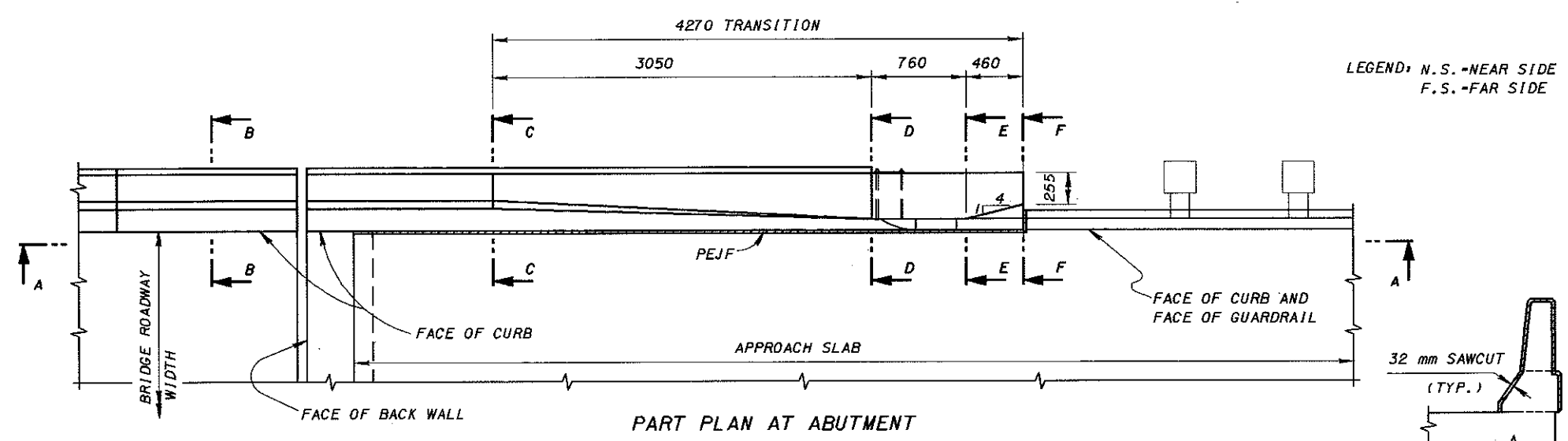
THE USE OF AN EDGE GUIDE, FENCE, OR JIG IS REQUIRED TO INSURE THAT THE CUT JOINT IS STRAIGHT, TRUE, AND ALIGNED ON ALL FACES OF THE PARAPET. THE JOINT WIDTH SHALL BE THE WIDTH OF THE SAW BLADE, A NOMINAL WIDTH OF 6 mm.

THE PERIMETER OF THE DEFLECTION CONTROL JOINT SHALL BE SEALED WITH A CAULKING MATERIAL TO A MINIMUM DEPTH OF 25 mm CONFORMING TO FEDERAL SPECIFICATION TT-S-00227E. THE BOTTOM 13 mm OF BOTH THE INSIDE AND OUTSIDE FACES OF THE PARAPET SHOULD BE LEFT UNSEALED TO ALLOW ANY WATER WHICH MAY ENTER THE JOINT TO ESCAPE.

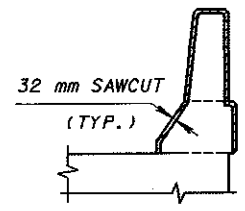
SAWCUT SHALL BE PLACED AT A MINIMUM OF 1800 mm AND MAXIMUM OF 3050 mm CENTERS.

QUANTITIES OF CONCRETE, REINFORCING STEEL, DEFLECTION JOINT SAWCUT AND CAULKING MATERIAL FOR PARAPET ARE INCLUDED WITH APPROPRIATE ITEM UNDER EITHER ABUTMENTS OR SUPERSTRUCTURE FOR PAYMENTS.

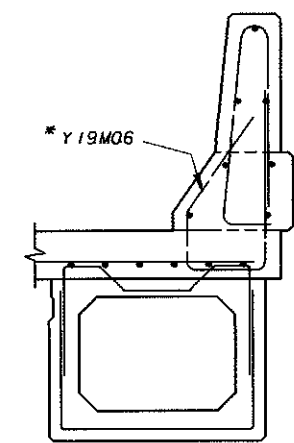
FOR BRIDGE TERMINAL ASSEMBLY SEE STANDARD CONSTRUCTION DRAWING GR-3.1M AND GR-3.2M.



LEGEND: N.S. - NEAR SIDE  
F.S. - FAR SIDE



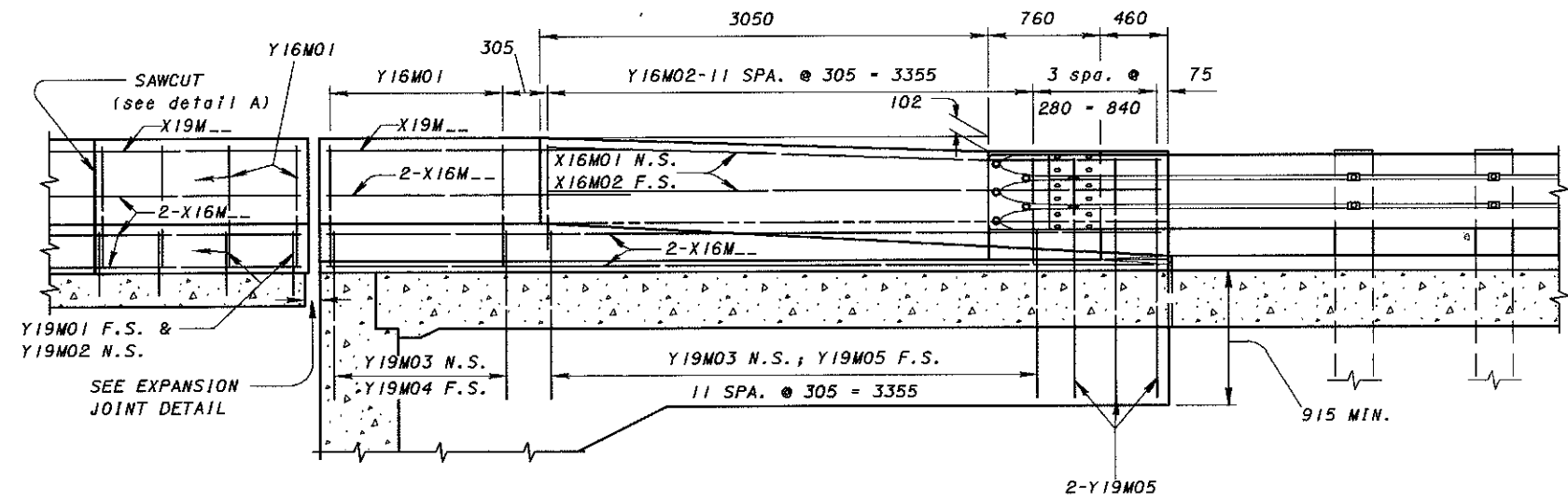
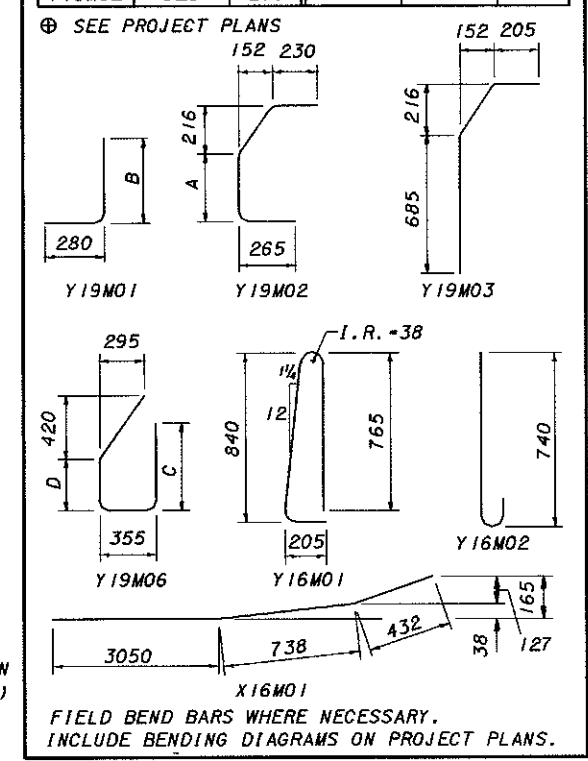
**DETAIL A**  
(section through sawcut)  
Sawcut Perimeter = 2160 mm



**BOX BEAM REINFORCING DETAIL**  
(composite deck)

Volume of 4270 mm transition section is 1.3 m<sup>3</sup>

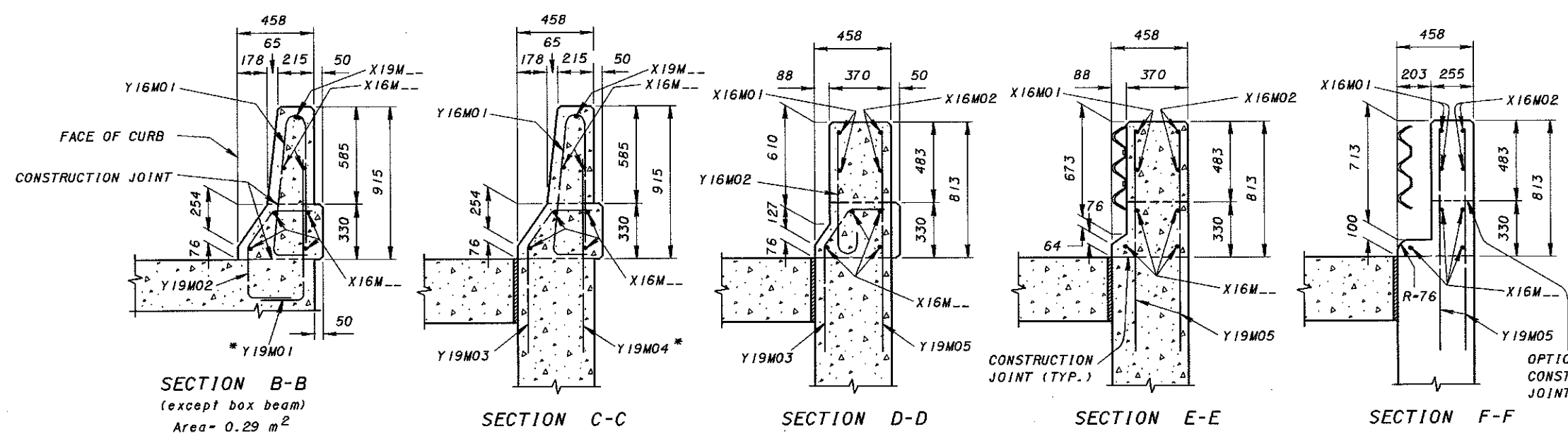
REINFORCING BAR LIST					
MARK	LENGTH	SHP.	MARK	LENGTH	SHP.
X16M01	4220	BT.	Y19M01	B+230	BT.
X16M02	4220	STR.	Y19M02	A+660	BT.
X16M	⊕	STR.	Y19M03	1135	BT.
X19M	⊕	STR.	Y19M04	865	STR.
Y16M01	1825	BT.	Y19M05	1375	STR.
Y16M02	920	BT.	Y19M06	C+D+760	BT.



**SECTION A-A**

VERTICAL BARS SHALL BE SPACED AT 305 mm MAXIMUM.  
(see project plans)

\* BARS Y19M01 (dim. B), Y19M04, Y19M06 (dim. C) SHALL EXTEND 550 mm TO 600 mm ABOVE THE CONSTRUCTION JOINT BETWEEN DECK AND PARAPET.



**SECTION B-B**  
(except box beam)  
Area = 0.29 m<sup>2</sup>

FIELD BEND BARS WHERE NECESSARY.  
INCLUDE BENDING DIAGRAMS ON PROJECT PLANS.