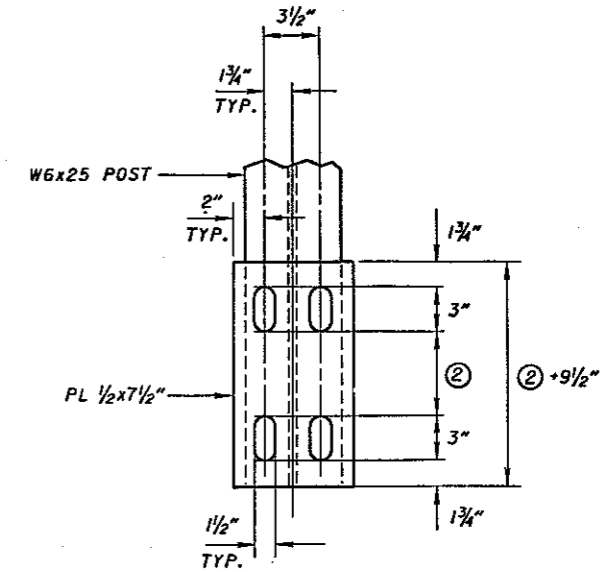


TYPE 1 POST DETAILS

① = 8" EXCEPT FOR 12" DEEP PRESTRESSED BOX BEAMS WHERE IT EQUALS 6".

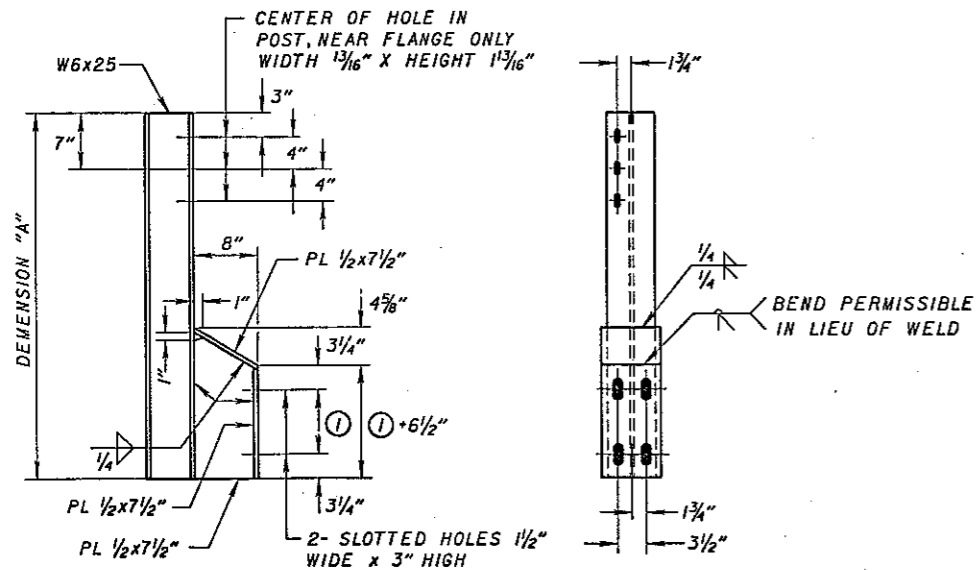
PRESTRESSED CONCRETE BOX BEAMS			
BEAM SIZE	MAXIMUM SPAN	DIMENSION "A"	POST
B12-36 OR B12-48	25'	3'-7 1/2"	"D"
	OVER 25'	3'-9"	"E"
B17-36 OR B17-48	35'	3'-9 1/2"	"B"
	OVER 35'	3'-11"	"C"
B21-36 OR B21-48	40'	3'-9 1/2"	"B"
	OVER 40'	3'-11"	"C"
B27-36 OR B27-48	55'	3'-9 1/2"	"B"
	OVER 55'	3'-11"	"C"
B33-36 OR B33-48	65'	3'-9 1/2"	"B"
	OVER 65'	3'-11"	"C"
B42-36 OR B42-48	85'	3'-9 1/2"	"B"
	OVER 85'	3'-11"	"C"



DETAIL "A"

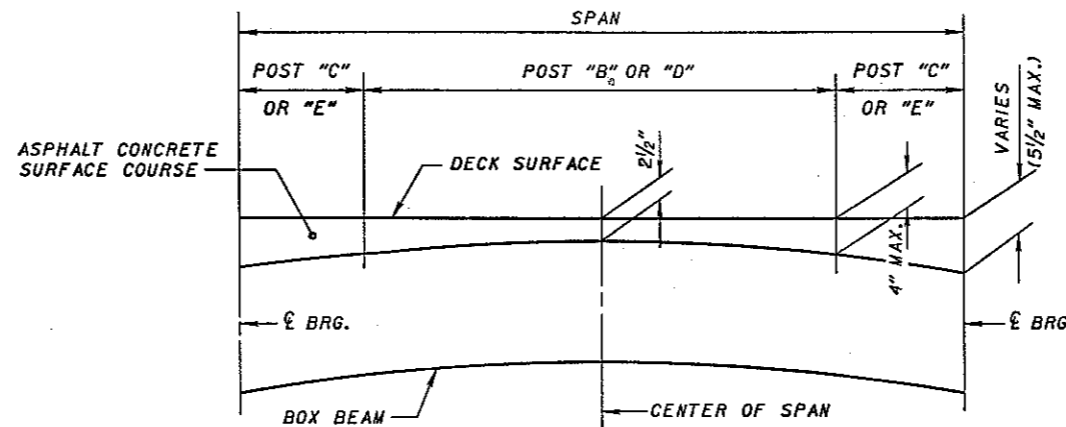
TYPE 1 POST AS SHOWN
TYPE 2 POST SIMILAR

② = 5" EXCEPT FOR 12" DEEP PRESTRESSED BOX BEAMS WHERE IT EQUALS 3".



TYPE 2 POST DETAILS

① = 8" EXCEPT FOR 12" DEEP PRESTRESSED BOX BEAMS WHERE IT EQUALS 6".



PRESTRESSED CONCRETE BOX BEAM SPANS
REQUIRING VARIABLE POST LENGTHS

NOTES:

ALL DIMENSIONS FOR SHAPES AND PLATES SHOWN ON THIS DRAWING SUPERSEDES THOSE SHOWN ON STANDARD DRAWING DBR-2-73, DATED 5-10-73.

STRUCTURAL STEEL SHAPES AND PLATES SHALL CONFORM TO ASTM A36.

GALVANIZING: ALL SHAPES AND PLATES SHALL BE GALVANIZED IN ACCORDANCE WITH 711.02.

NOTE TO DESIGNER: IT SHALL BE THE RESPONSIBILITY OF THE DESIGNER TO CLEARLY INDICATE ON THE CONTRACT PLANS THE POST DETAILS, DIMENSIONS AND REQUIREMENTS FOR EACH PROJECT. THESE POSTS, AS DETAILED, MAY FIT OTHER EXISTING BRIDGE CONFIGURATIONS. BEFORE SPECIAL POST LENGTHS ARE DEVELOPED, THESE STANDARD LENGTHS SHOULD BE CHECKED FOR USE. WHERE TWO OR MORE POST LENGTHS ARE REQUIRED, THEIR LOCATION SHALL BE SHOWN ON THE GENERAL PLAN.

LIMITATIONS: THIS DRAWING CAN BE USED FOR POSTS WITH 1 1/2" MAXIMUM VERTICAL MOVEMENT AND 5 1/2" MAXIMUM ASPHALT CONCRETE THICKNESS.

SPECIAL DESIGN DETAILS SHALL BE PROVIDED FOR BRIDGES WITH ASPHALT CONCRETE SURFACE COURSES MORE THAN 5 1/2" THICK, IN ORDER TO PROVIDE A CLEAR DISTANCE OF 1'-9" BETWEEN THE ROADWAY SURFACE AND RAILING CENTERLINE.

△ - POST "A" POSTS SHALL BE USED ON BRIDGES WITH MONOLITHIC CONCRETE WEARING SURFACES.

POST "B" OR "D" POSTS SHALL BE USED ON BRIDGES WITH NORMAL ASPHALT CONCRETE WEARING SURFACES AND/OR PRESTRESSED BOX BEAMS WITH FINAL CAMBER LESS THAN 1/2".

POST "C" OR "E" POSTS SHALL BE USED ON BOX BEAM BRIDGES WITH A 4" TO 5 1/2" THICK ASPHALT CONCRETE WEARING SURFACES, AND PRESTRESSED BOX BEAMS WITH FINAL CAMBER MORE THAN 1/2" BUT LESS THAN 3".

ALL POSTS SHALL BE SHOP MARKED TO SHOW TYPE AND LENGTH. FOR EXAMPLE, "2B" INDICATES A TYPE 2 POST THAT IS 3'-9 1/2" LONG (DIMENSION "A").

TYPE OF SUPERSTRUCTURE	POST LENGTH △				
	DIMENSION "A"				
	POST "A"	POST "B"	POST "C"	POST "D"	POST "E"
CONCRETE SLAB					
STEEL BEAMS AND GIRDERS	3'-8"	3'-9 1/2"	—	—	—
PRESTRESSED CONCRETE I-BEAMS					
PRESTRESSED CONCRETE BOX BEAMS	—	3'-9 1/2"	3'-11"	3'-7 1/2"	3'-9"

REVISIONS		STATE OF OHIO DEPARTMENT OF TRANSPORTATION BUREAU OF BRIDGES AND STRUCTURAL DESIGN	
DESIGN DATA			
BRIDGE RAIL POST DETAILS (FOR STANDARD DRAWING DBR-2-73)			
APPROVED:	DATE: 3-22-76		DRAWING NO. DBP-1-92
PREPARED:	DRAWN:	CHECKED:	REVIEWED:
AJM	AJM	MRG	LMW