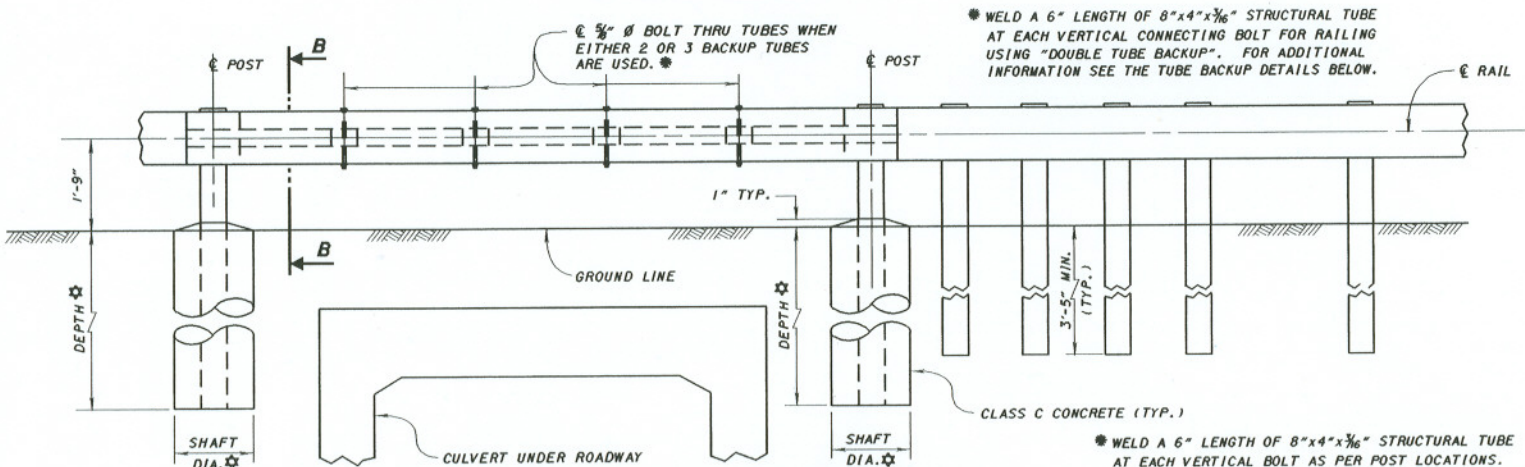
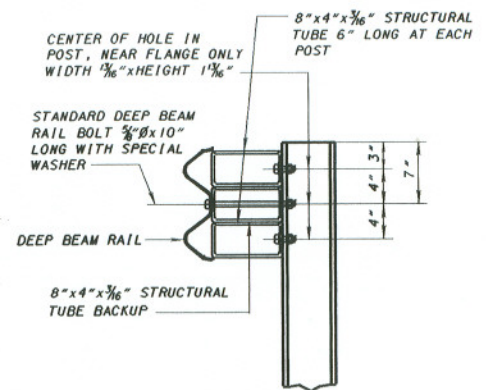


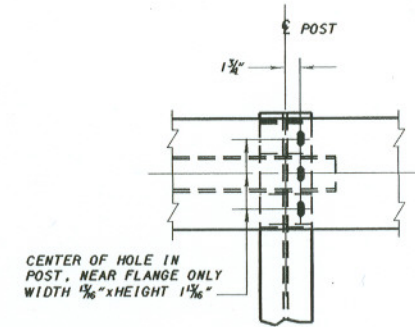
GUARDRAIL PLAN AT CULVERT



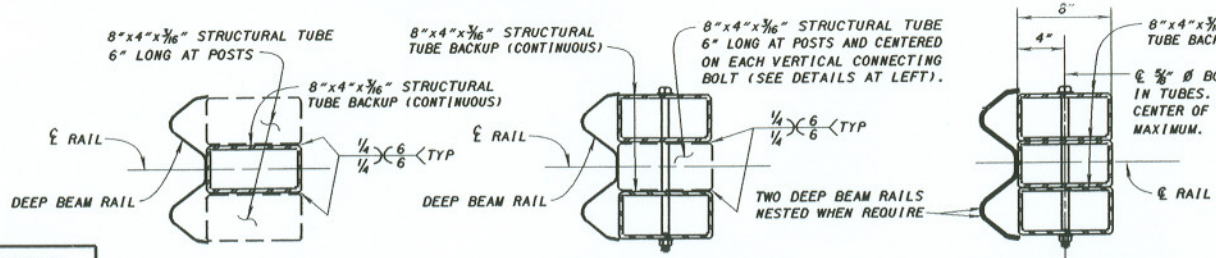
SECTION A-A, GUARDRAIL ELEVATION



SECTION B-B
(SINGLE TUBE SHOWN - DOUBLE AND TRIPLE TUBE SIMILAR)



SECTION C-C
POST ELEVATION



SINGLE TUBE BACKUP

DOUBLE TUBE BACKUP

TRIPLE TUBE BACKUP

* STEEL POST EMBEDMENT TABLE			
MAXIMUM DIMENSION "L"	POST SIZE	DEPTH OF POST VS SHAFT DIAMETER	
		1.5' DIA.	2.0' DIA.
15.00'	W6x25	9.0'	8.0'
30.00'	W8x24	10.5'	9.5'

NOTE:
POST SIZE = W6x25 WHEN "L" (POST SPACING) IS 15.0 FEET OR LESS.
W8x24 WHEN "L" (POST SPACING) EXCEEDS 15.0 FEET.

ITEM	SINGLE TUBE BACKUP		DOUBLE TUBE BACKUP		TRIPLE TUBE BACKUP	
	ONE RAIL	TWO RAILS (NESTED)	ONE RAIL	TWO RAILS (NESTED)	ONE RAIL	TWO RAILS (NESTED)
SPAN "L"	10.25'	11.75'	19.00'	20.50'	27.75'	29.25'

GENERAL NOTES
FOR ADDITIONAL DETAILS SEE STANDARD CONSTRUCTION DRAWINGS GR-2.2, AND GR-3.4
STEEL TUBING BACKUP AS PER ITEM 707.10 WELDED SPLICES ARE NOT ALLOWED ON STEEL TUBING BACKUP
DEEP BEAM RAIL AS PER ITEM 710.06
STEEL GUARDRAIL POSTS AS PER ITEM 710.15
RAILS, POSTS, BOLTS, NUTS, WASHERS AND STEEL TUBULAR BACKUP SHALL BE GALVANIZED AS PER ITEM 711.02
WOOD POSTS AND BLOCKING SHALL BE AS PER ITEM 710.12 AND PRESSURE TREATED AS PER ITEM 710.14
ALL BOLTS AND NUTS SHALL BE ASTM A307 WELDING AS PER ITEM 513.17