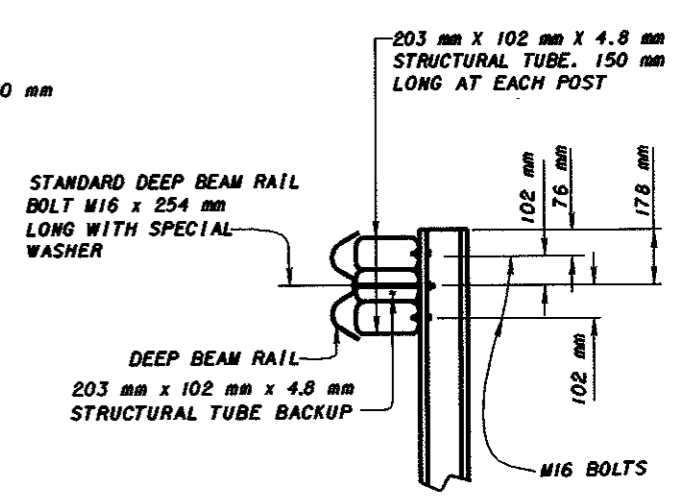
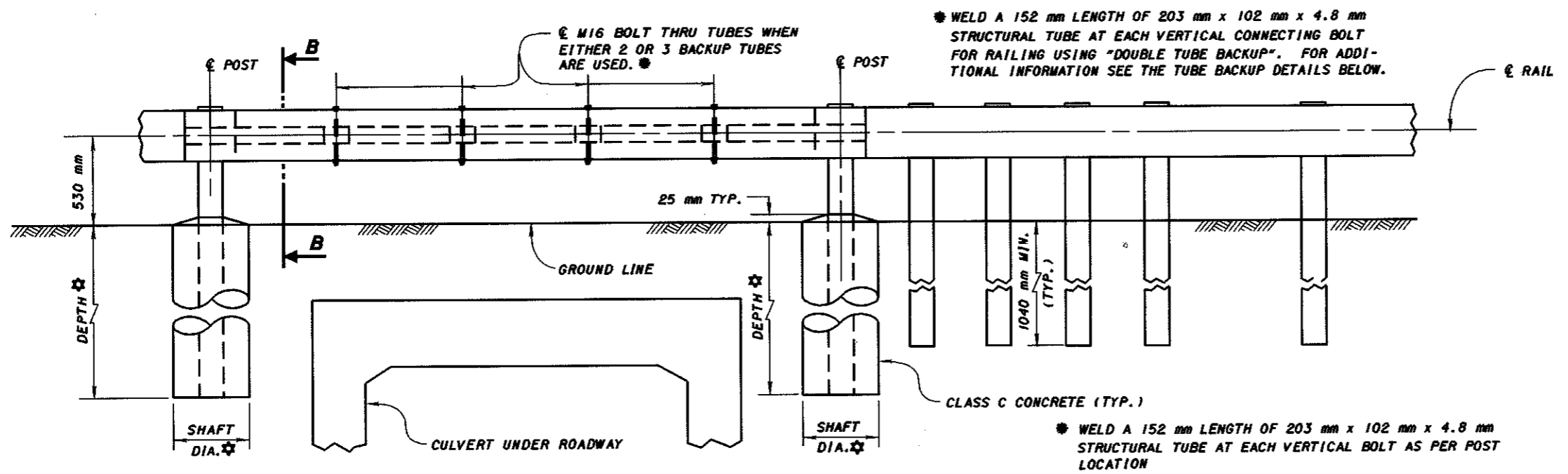


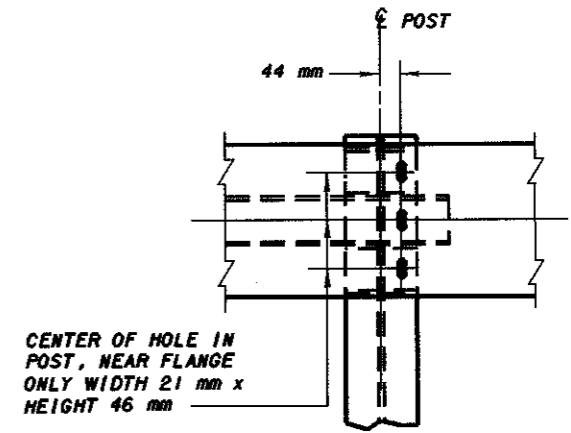
GUARDRAIL PLAN AT CULVERT



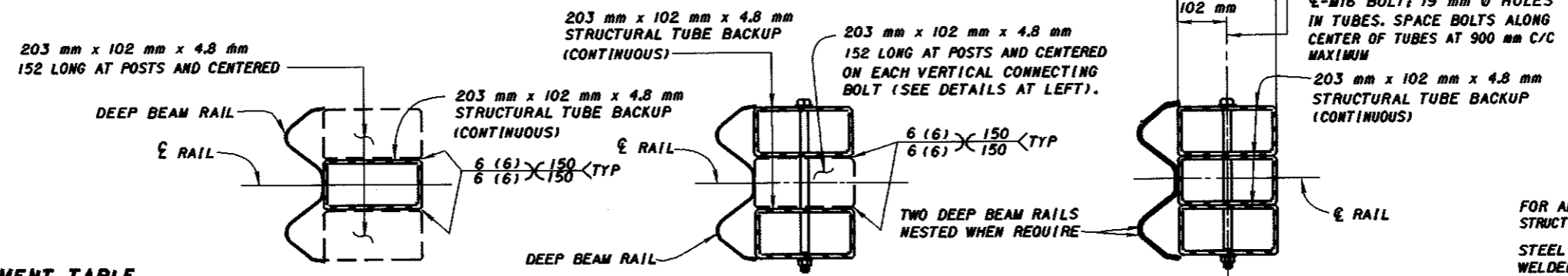
SECTION B-B
(SINGLE TUBE SHOWN - DOUBLE AND TRIPLE TUBE SIMILAR)



SECTION A-A, GUARDRAIL ELEVATION



SECTION C-C
POST ELEVATION



SINGLE TUBE BACKUP

DOUBLE TUBE BACKUP

TRIPLE TUBE BACKUP

*** STEEL POST EMBEDMENT TABLE**

MAXIMUM DIMENSION "L" (mm)	POST SIZE	DEPTH OF POST VS SHAFT DIAMETER (mm)	
		460 DIA.	610 DIA.
4600	W150x37	2750	2450
9200	W200x36	3200	2800

NOTE:
POST SIZE -W150x37 WHEN "L" (POST SPACING) IS 4600 mm OR LESS BUT GREATER THAN 1905 mm
W200x36 WHEN "L" (POST SPACING) EXCEEDS 4600 mm

ITEM	SINGLE TUBE BACKUP		DOUBLE TUBE BACKUP		TRIPLE TUBE BACKUP		
	NO. OF RAIL	ONE RAIL	TWO RAILS (NESTED)	ONE RAIL	TWO RAILS (NESTED)	ONE RAIL	TWO RAILS (NESTED)
SPAN "L" IN MILLIMETERS		3100	3600	5800	6300	8500	8900

GENERAL NOTES
FOR ADDITIONAL DETAILS SEE STANDARD CONSTRUCTION DRAWINGS GR-2.2M, AND GR-3.4M
STEEL TUBING BACKUP AS PER ITEM 707.10 WELDED SPLICES ARE NOT ALLOWED ON STEEL TUBING BACKUP
DEEP BEAM RAIL AS PER ITEM 710.06
STEEL GUARDRAIL POSTS AS PER ITEM 710.15
RAILS, POSTS, BOLTS, NUTS, WASHERS AND STEEL TUBULAR BACKUP SHALL BE GALVANIZED AS PER ITEM 711.02
WOOD POSTS AND BLOCKING SHALL BE AS PER ITEM 710.12 AND PRESSURE TREATED AS PER ITEM 710.14
ALL BOLTS AND NUTS SHALL BE ASTM A307 WELDING AS PER ITEM 513.17

