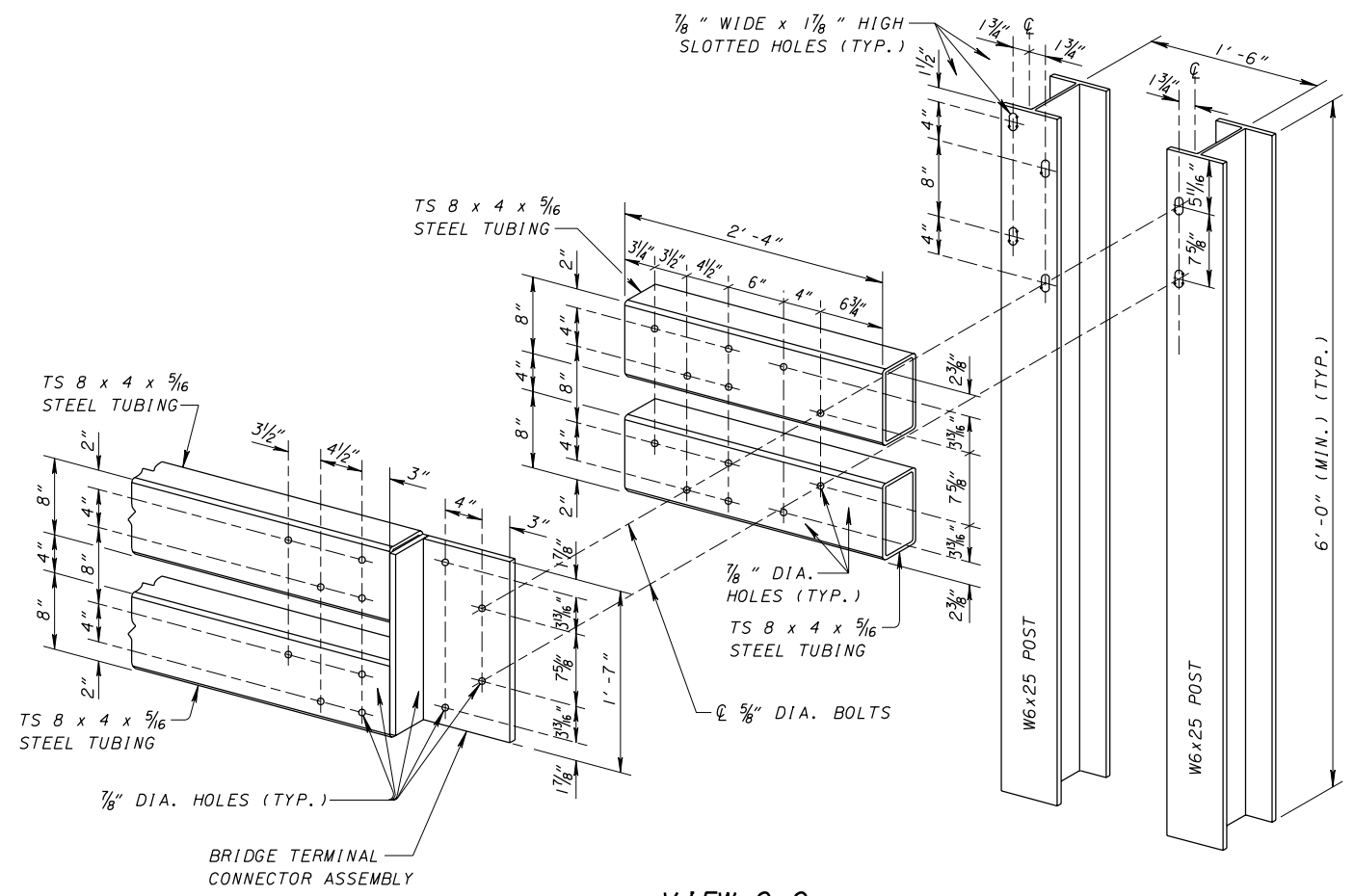


RAILING ELEVATION ON CONCRETE SLAB

TWIN TUBE RAILING WITH THRIE BEAM TERMINAL CONNECTION AS SHOWN IN SECTION B-B BELOW.

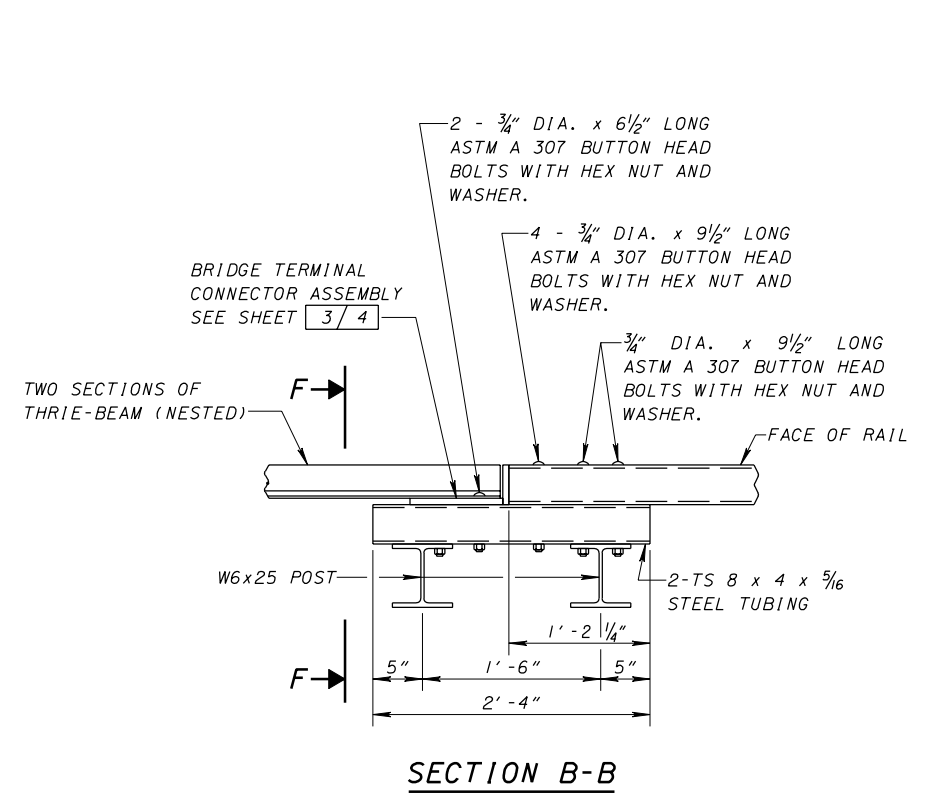
FOR SECTION A-A SEE SHEET 2/4.

* - ON EACH SIDE OF THE BRIDGE, ONE POST SPACING PER SPAN MAY BE DECREASED TO ACCOUNT FOR ANY REQUIRED CONSTRUCTION CLEARANCES. NO POST SPACING SHALL EXCEED 6'-3\"/>

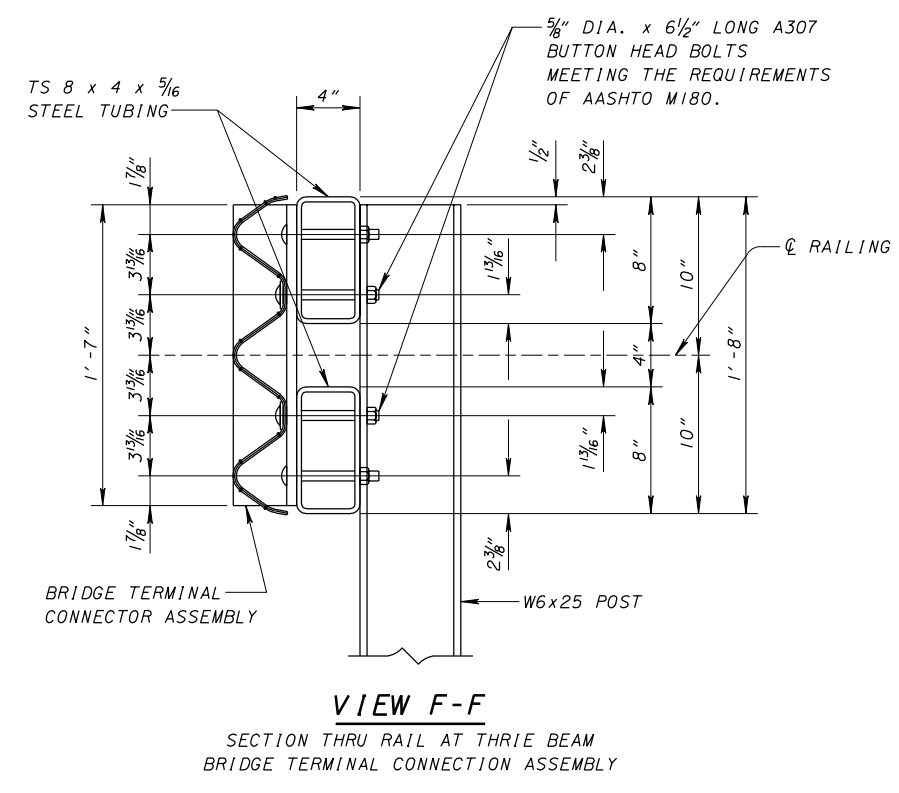


VIEW C-C

(NESTED THRIE BEAM RAILING NOT SHOWN)



SECTION B-B



VIEW F-F

SECTION THRU RAIL AT THRIE BEAM BRIDGE TERMINAL CONNECTION ASSEMBLY

DESIGN AGENCY	OFFICE OF	STRUCTURAL ENGINEERING
STATE OF OHIO DEPARTMENT OF TRANSPORTATION	7-06-99	DATE
ADMINISTRATOR	Brad Fogell	
REVIEWED	WTL	
CHECKED	J/S	TST-1-99
DESIGNED	AJM/SAM	DRAWN SAM
REVISIONS	10-20-00	07-19-02
STANDARD	TWIN STEEL TUBE	BRIDGE RAILING
		1/4