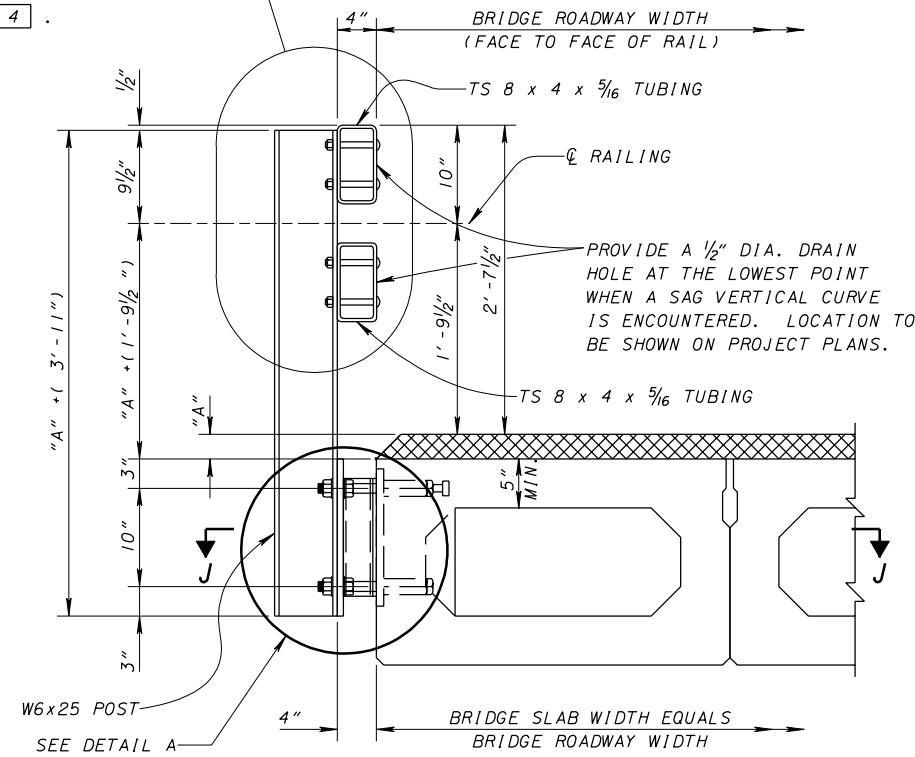


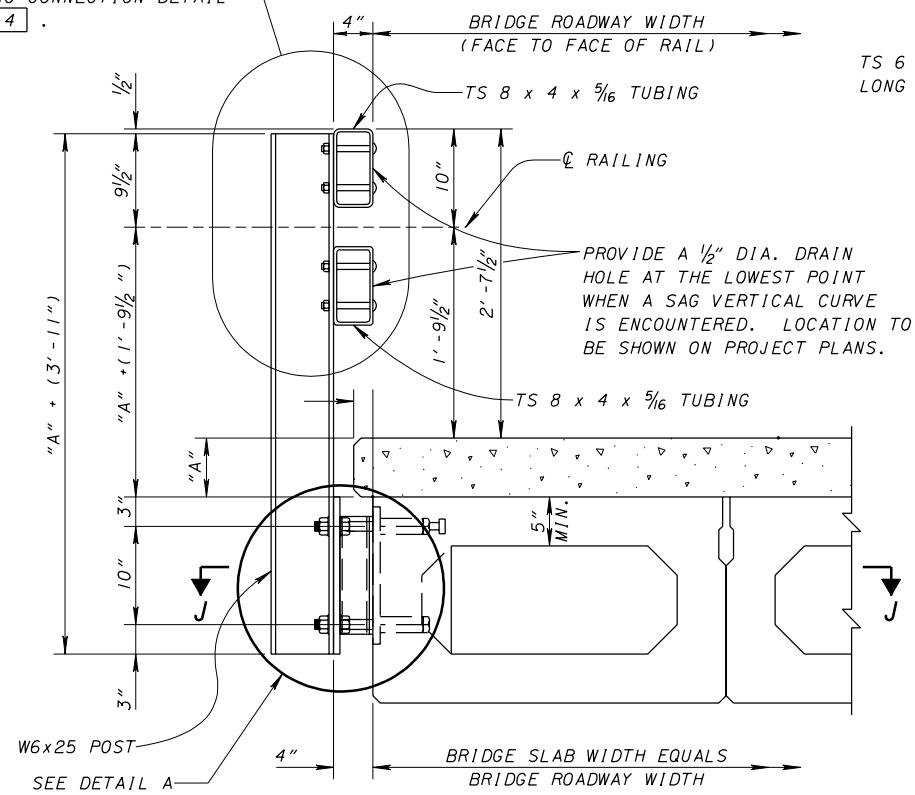
SEE RAILING CONNECTION DETAIL SHEET 3/4 .



SECTION A-A

(FOR 17" AND DEEPER NONCOMPOSITE PRESTRESSED BOX BEAM BRIDGES)

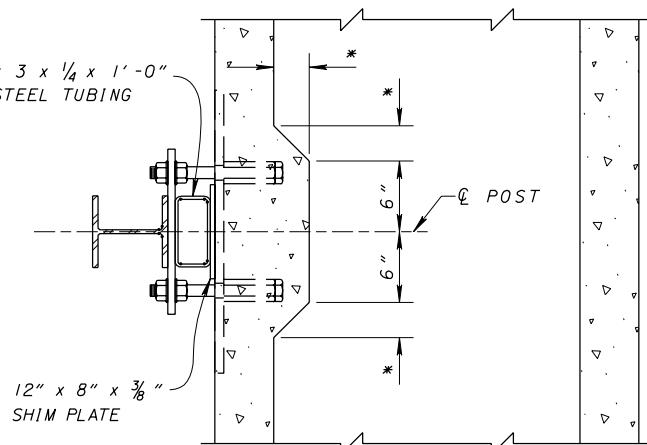
SEE RAILING CONNECTION DETAIL SHEET 3/4 .



SECTION A-A

(FOR 17" AND DEEPER COMPOSITE PRESTRESSED BOX BEAM BRIDGES)

TS 6 x 3 x 1/4 x 1'-0" LONG STEEL TUBING

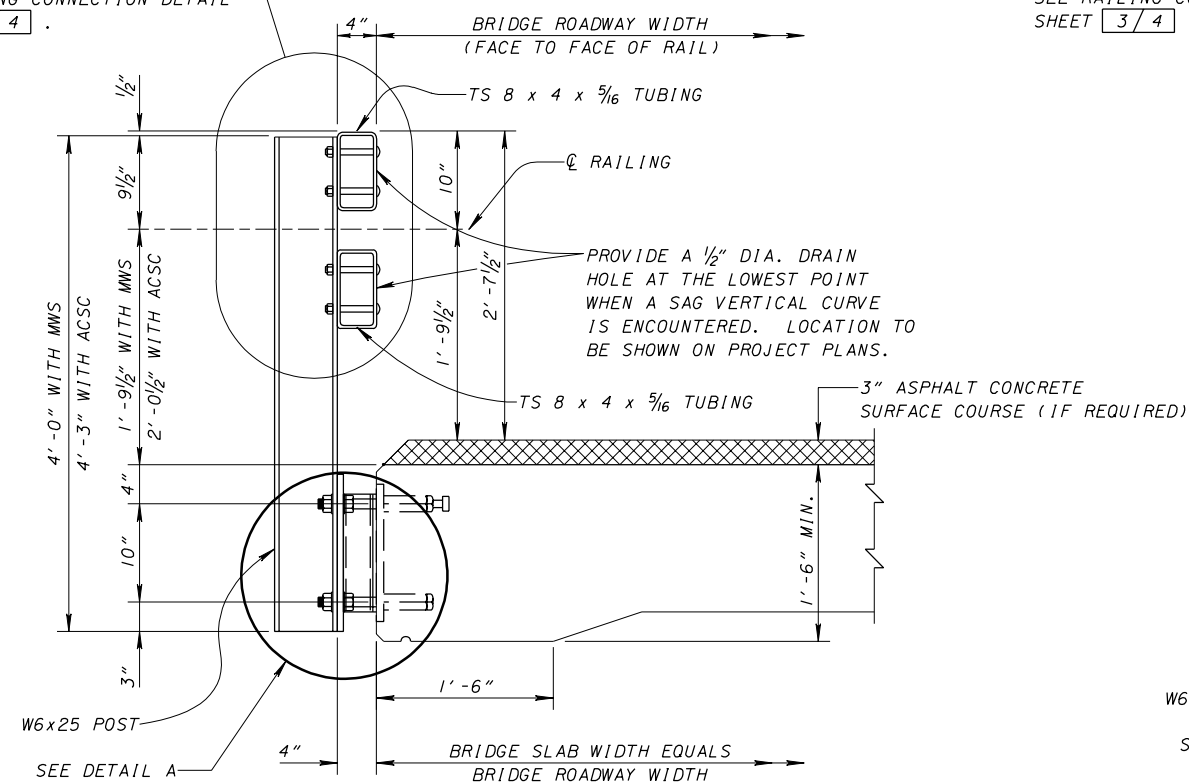


SECTION J-J

LEGEND

- MWS - MONOLITHIC WEARING SURFACE
- ACSC - ASPHALT CONCRETE SURFACE COURSE
- "A" - DECK OR OVERLAY THICKNESS, THIS DIMENSION VARIES ACROSS THE LENGTH OF THE BRIDGE.
- * - THIS DIMENSION IS THE SAME AS THE WIDTH OF FILLET IN THE BOX BEAMS'S VOID.

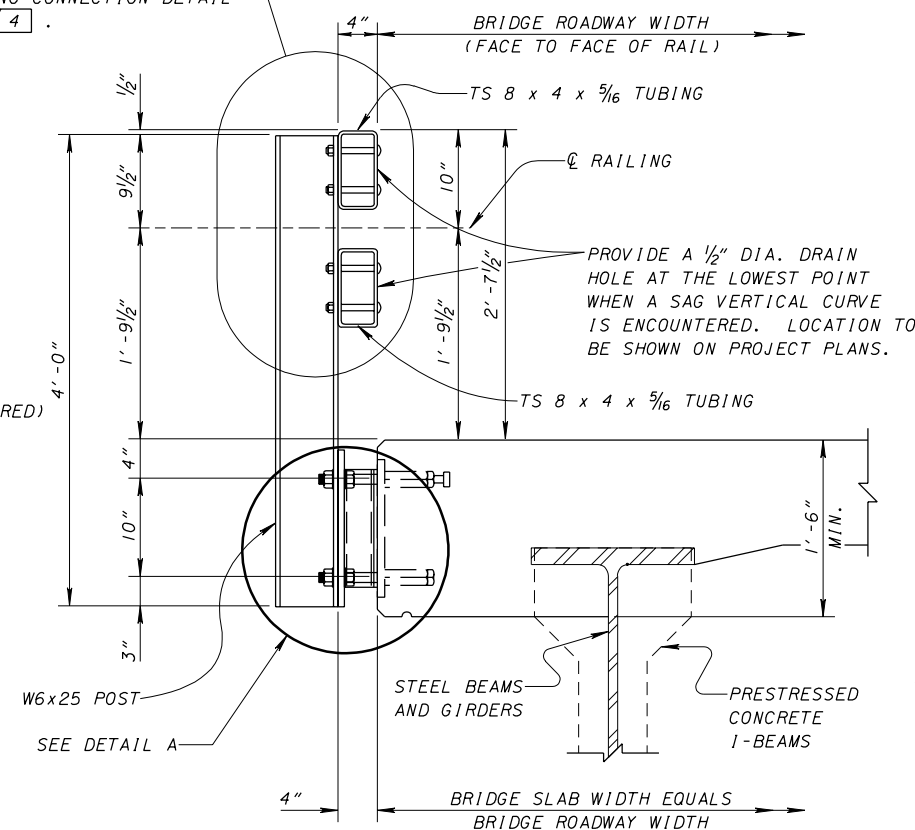
SEE RAILING CONNECTION DETAIL SHEET 3/4 .



SECTION A-A

(FOR SLAB BRIDGES)

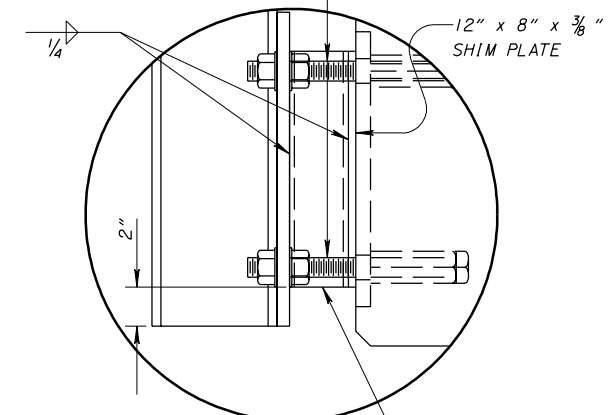
SEE RAILING CONNECTION DETAIL SHEET 3/4 .



SECTION A-A

(FOR CONCRETE OR STEEL I-BEAM BRIDGES)

2 - 1" DIA. x 12" LONG ANCHOR BOLTS WITH MACHINE THREADS FULL LENGTH AND TWO HEX NUTS AND TWO 3" x 3" x 5/16" PLATE WASHERS PER BOLT.



DETAIL A

TS 6 x 3 x 1/4 x 1'-0" LONG STEEL TUBING, WELD TO ANCHOR PLATE AND SHIM PLATE PRIOR TO GALVANIZING.