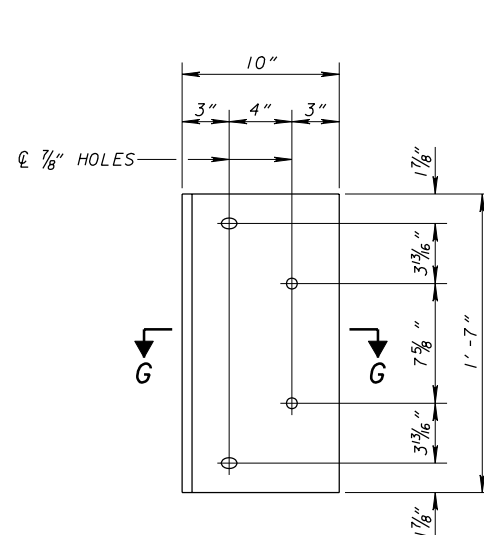
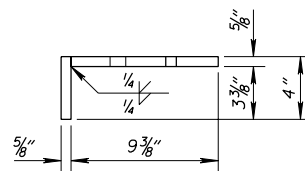


**RAILING CONNECTION DETAIL**

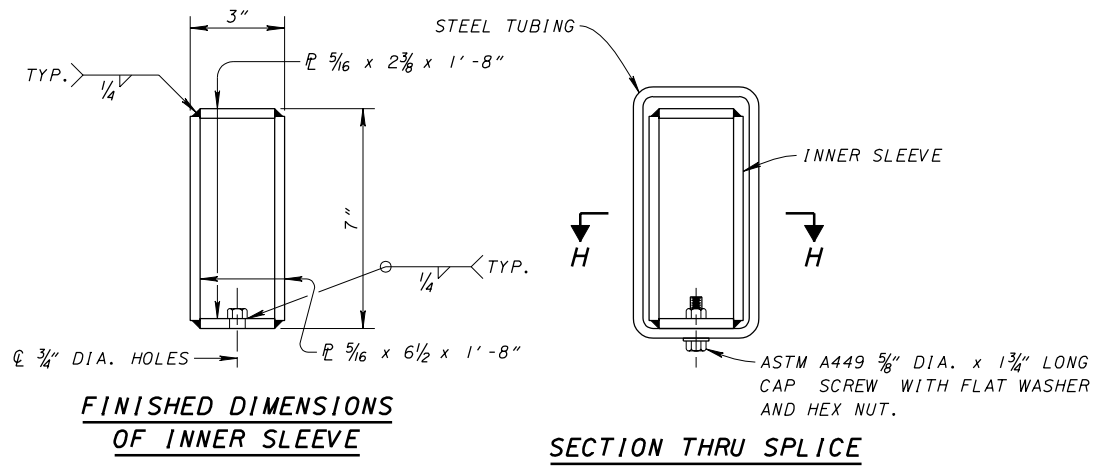


**ELEVATION**



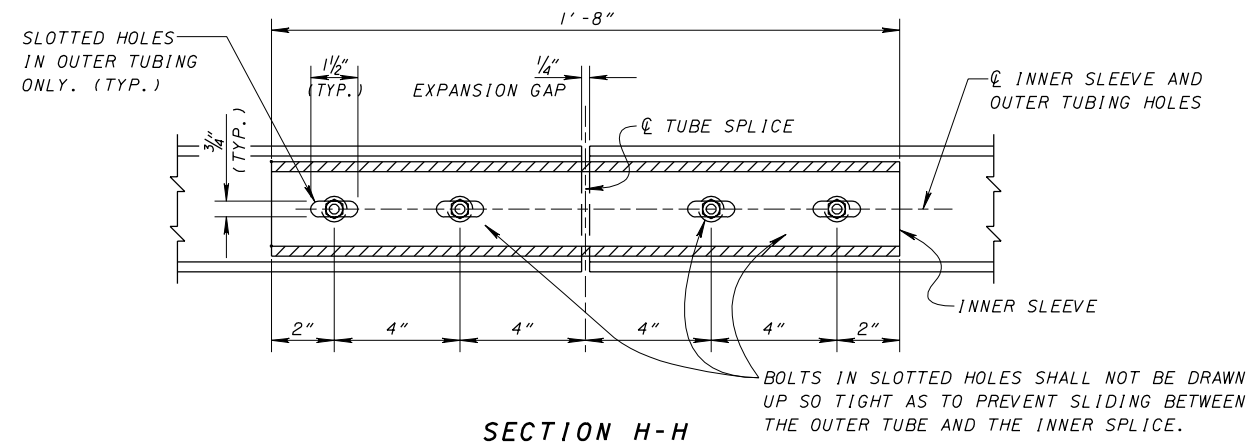
**SECTION G-G**

**BRIDGE TERMINAL CONNECTOR ASSEMBLY**



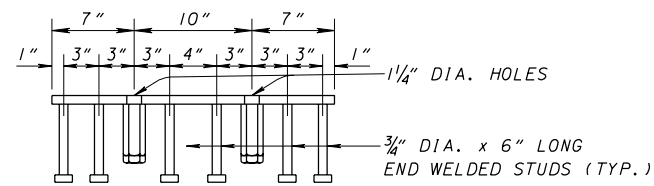
**FINISHED DIMENSIONS OF INNER SLEEVE**

**SECTION THRU SPLICE**

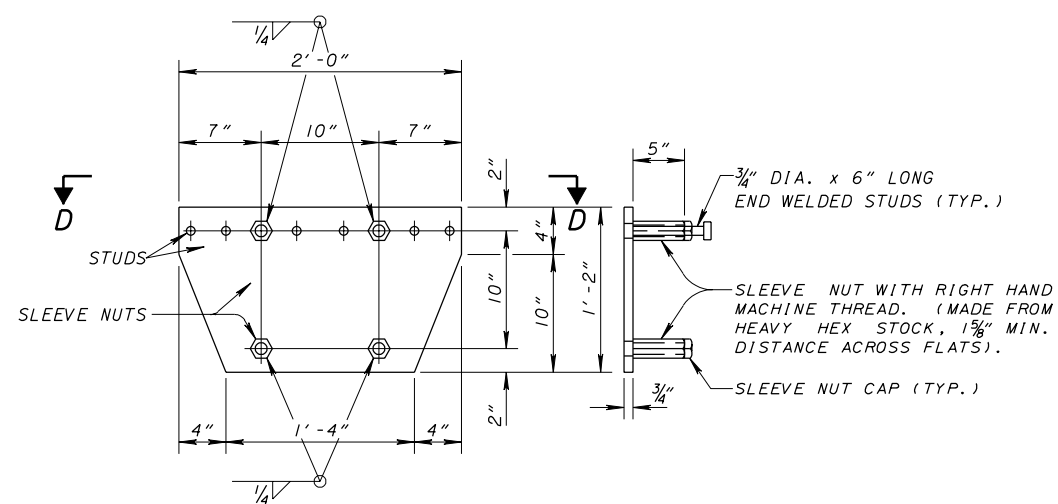


**SECTION H-H**

**STEEL TUBE SPLICE DETAILS**



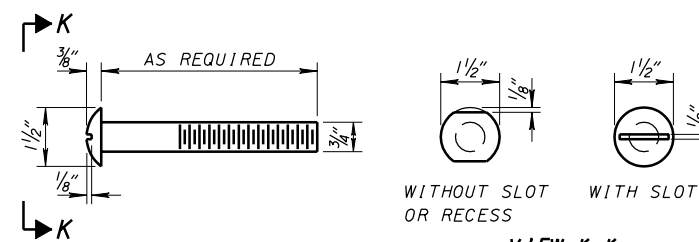
**VIEW D-D**



**ELEVATION**

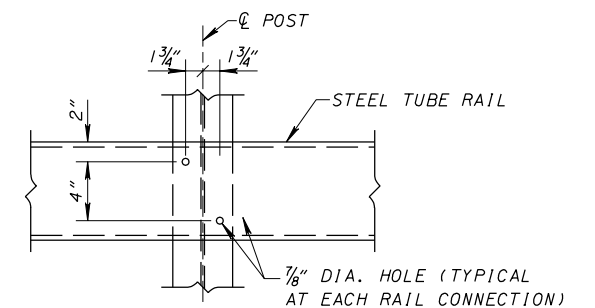
**END VIEW**

**POST ANCHOR DEVICE**

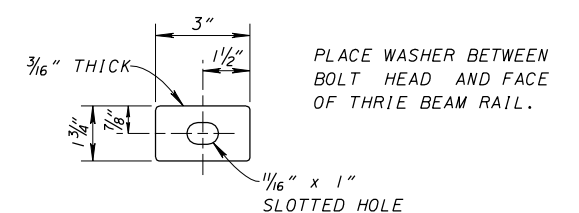


**VIEW K-K**

**DETAIL OF 3/4" DIA. ROUND HEAD BOLT**



**VIEW E-E**



**SPECIAL WASHER**

DESIGN AGENCY	OFFICE OF	STRUCTURAL ENGINEERING
STATE OF OHIO DEPARTMENT OF TRANSPORTATION	7-06-99	DATE
ADMINISTRATOR	Brad Fogwell	
REVIEWED	WTL	
CHECKED	JS	TST-1-99
DESIGNED	AJM/SAM	DRAWN
REVISIONS	10-20-00	07-19-02
STANDARD	TWIN STEEL TUBE	BRIDGE RAILING
	3	4