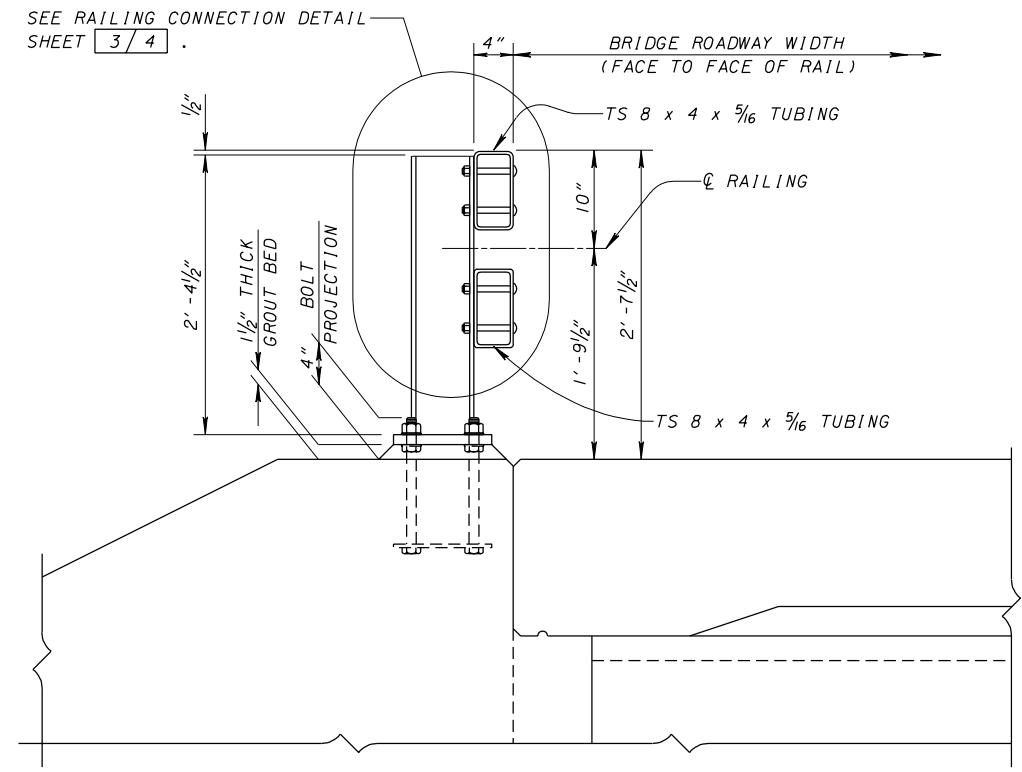
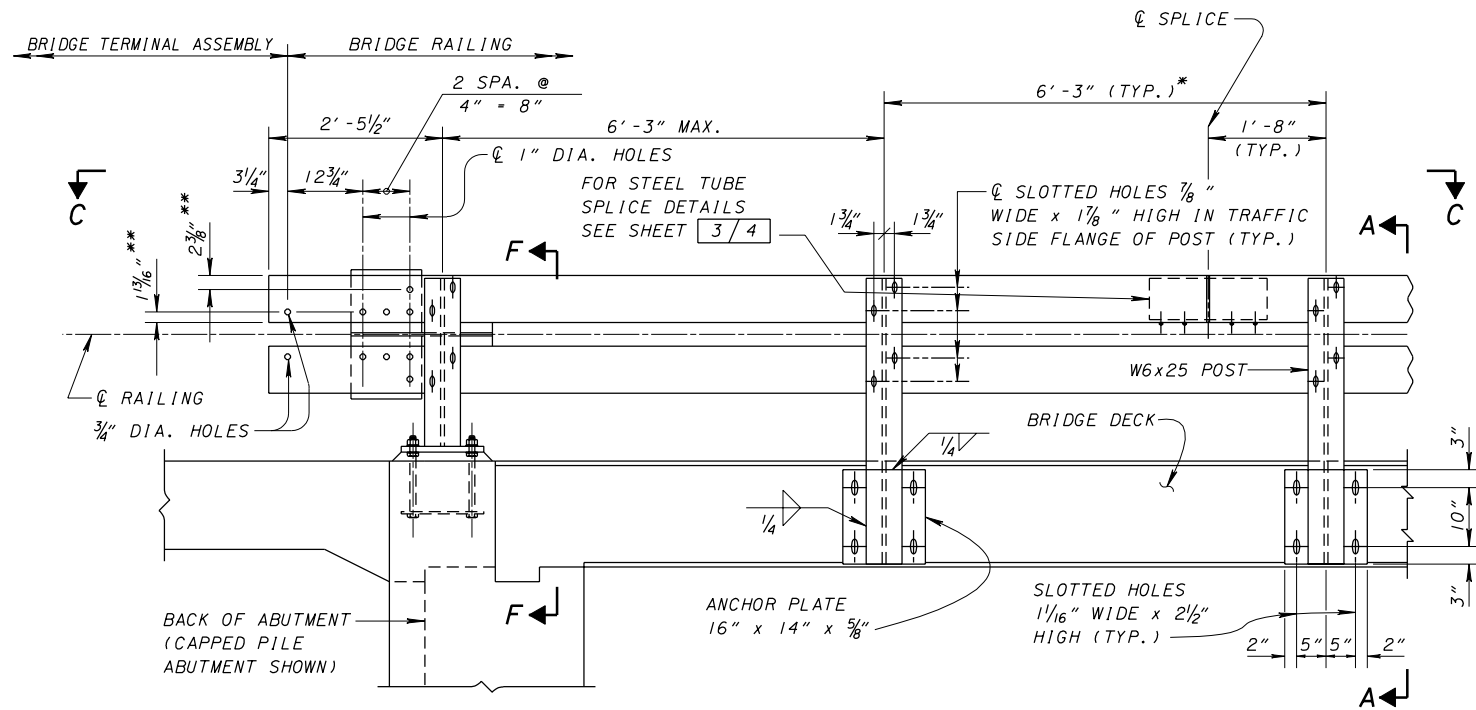


**VIEW C-C**



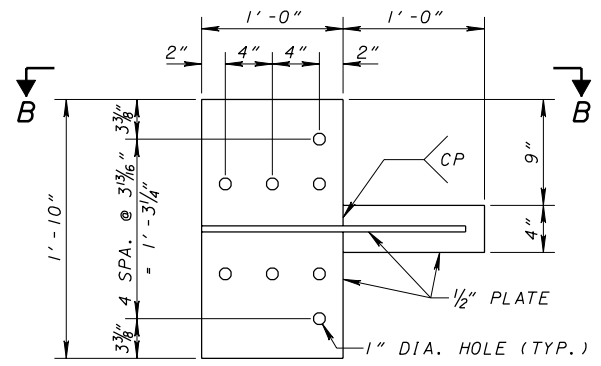
**SECTION F-F**



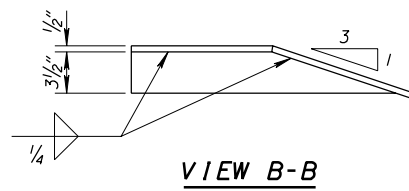
**RAILING ELEVATION ON CONCRETE SLAB**

BRIDGE TERMINAL ASSEMBLY NOT SHOWN. REFER TO STANDARD CONSTRUCTION DRAWING GR-3.6 FOR DETAILS.

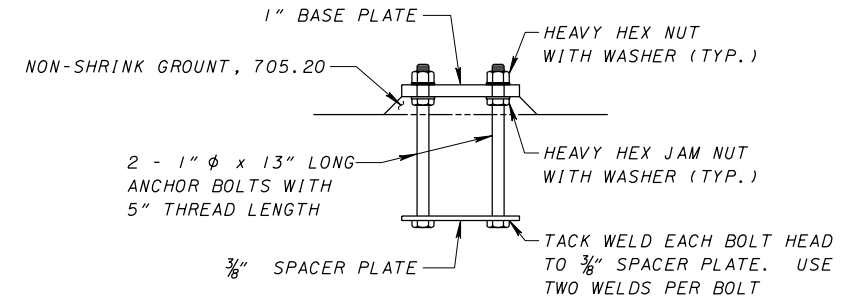
- \* - ON EACH SIDE OF THE BRIDGE, ONE POST SPACING PER SPAN MAY BE DECREASED TO ACCOUNT FOR ANY REQUIRED CONSTRUCTION CLEARANCES. NO POST SPACING SHALL EXCEED 6'-3".
- \*\* - SYMMETRICAL ABOUT  $\phi$  RAILING



**GUARDRAIL CONNECTION PLATE DETAILS**

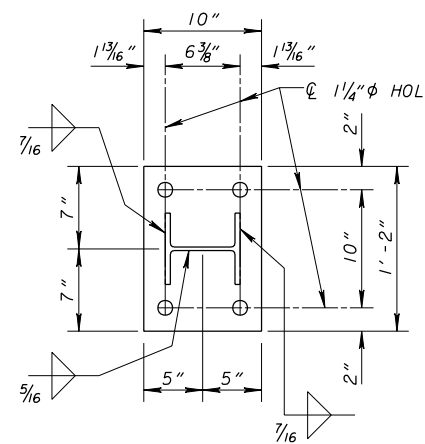


**VIEW B-B**



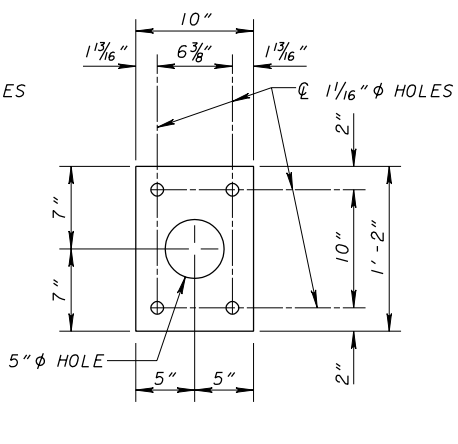
**FLUSH MOUNTED POST ANCHOR DETAIL**

(POST NOT SHOWN)



**BASE PLATE**

(1" PLATE)



**SPACER PLATE**

(3/8" PLATE)