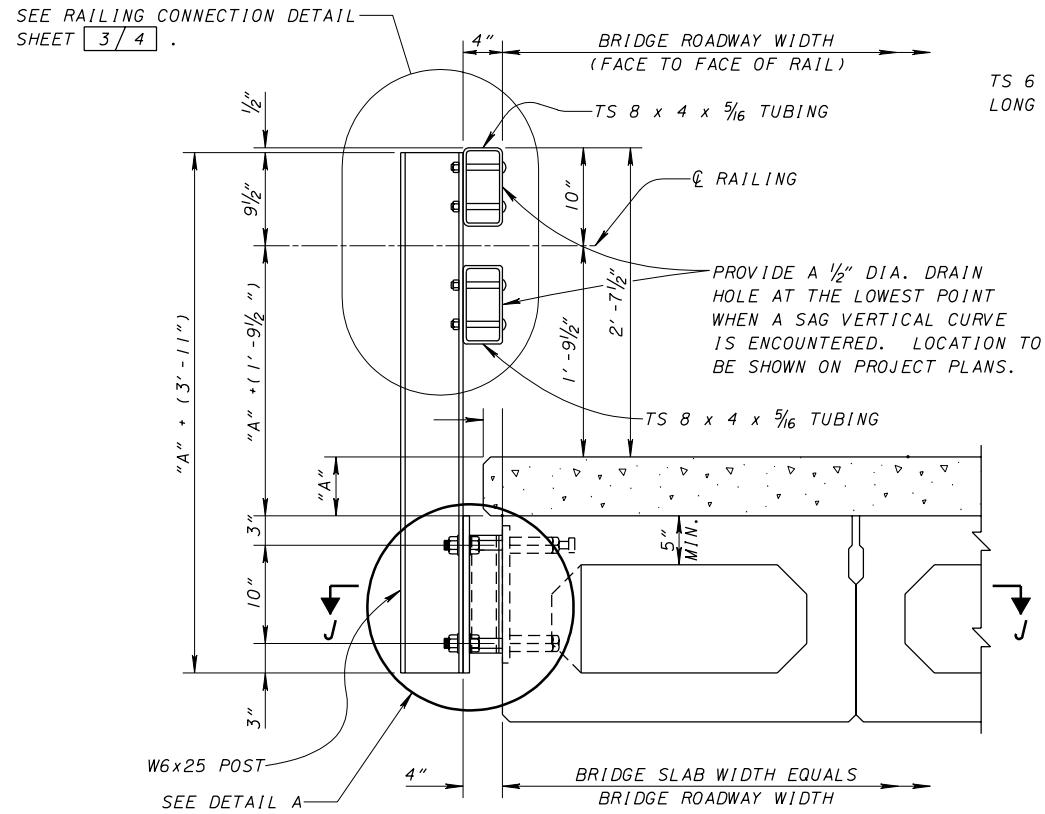


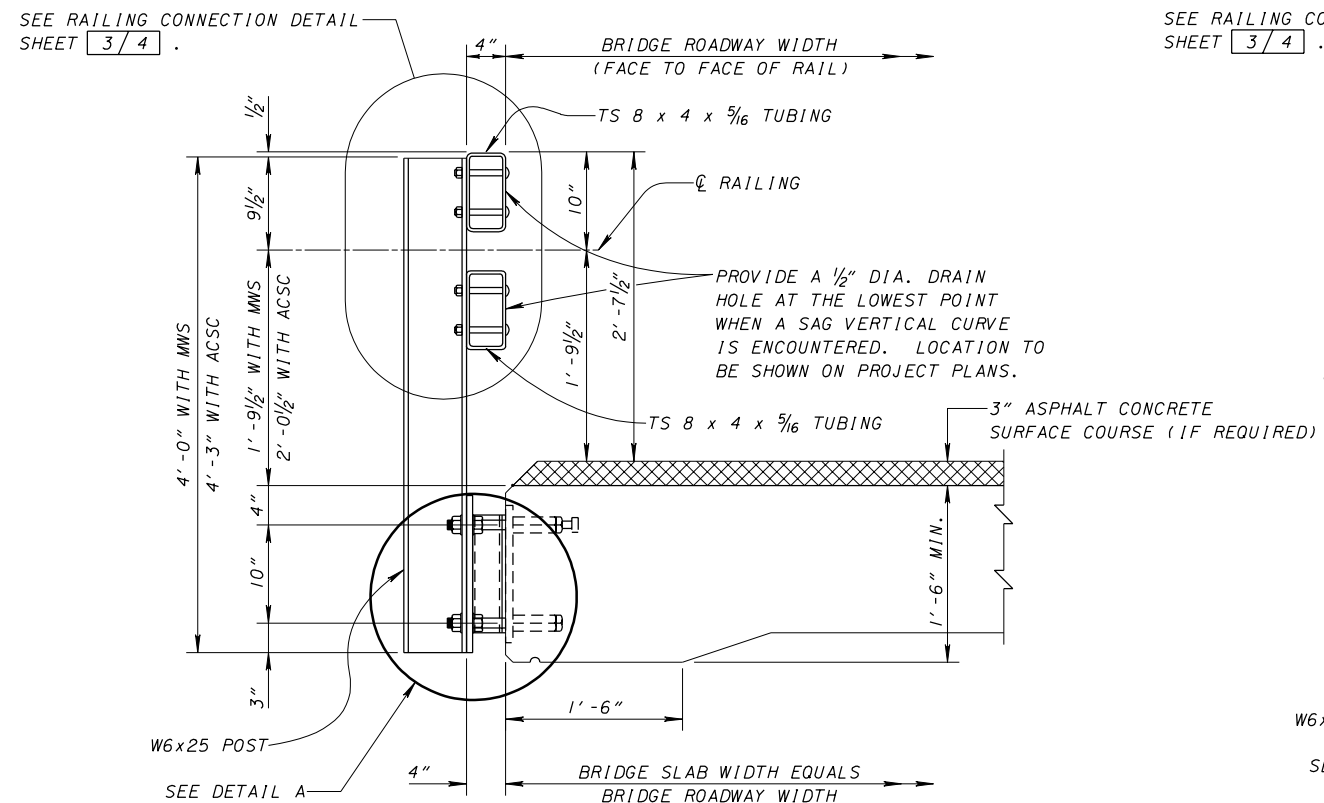
SECTION A-A

(FOR 17" AND DEEPER NONCOMPOSITE PRESTRESSED BOX BEAM BRIDGES)



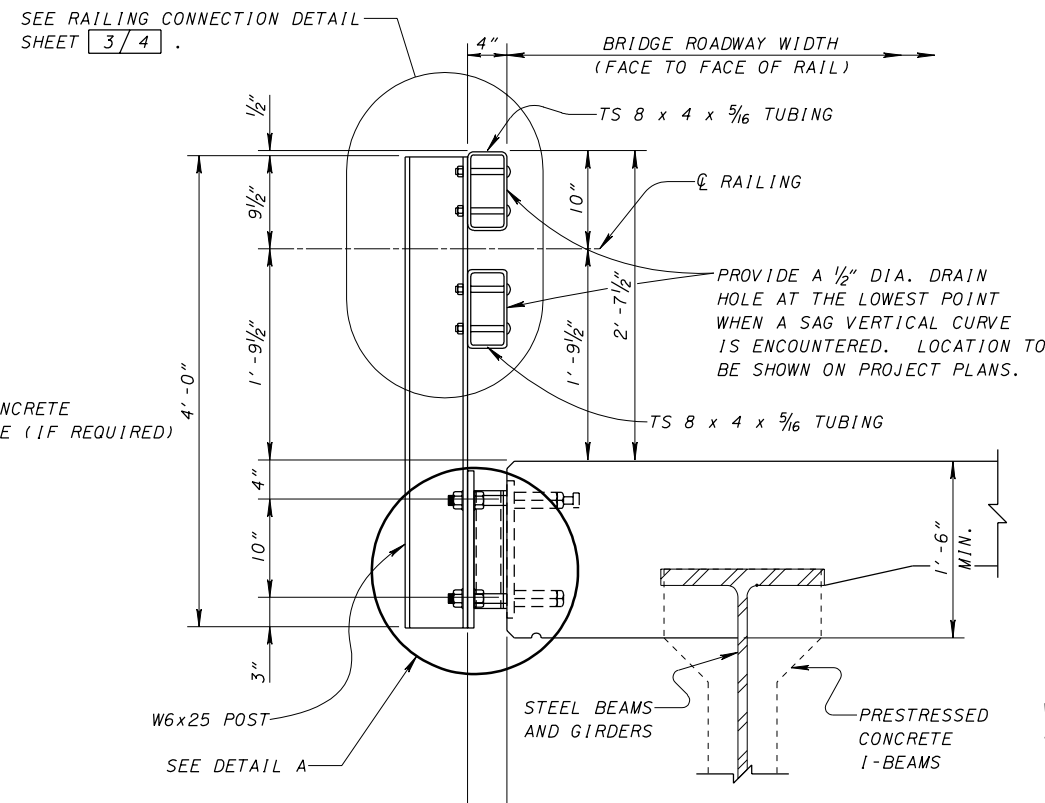
SECTION A-A

(FOR 17" AND DEEPER COMPOSITE PRESTRESSED BOX BEAM BRIDGES)



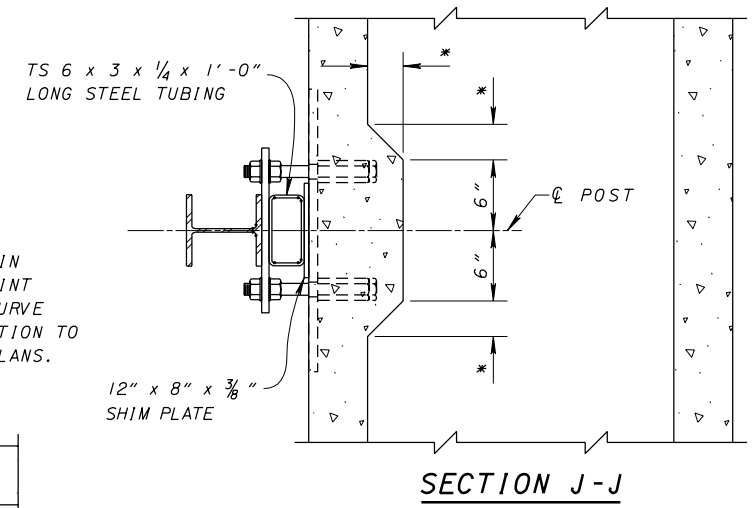
SECTION A-A

(FOR SLAB BRIDGES)



SECTION A-A

(FOR CONCRETE OR STEEL I-BEAM BRIDGES)



LEGEND

- MWS - MONOLITHIC WEARING SURFACE
- ACSC - ASPHALT CONCRETE SURFACE COURSE
- "A" - DECK OR OVERLAY THICKNESS, THIS DIMENSION VARIES ACROSS THE LENGTH OF THE BRIDGE.
- * - THIS DIMENSION IS THE SAME AS THE WIDTH OF FILLET IN THE BOX BEAMS'S VOID.

