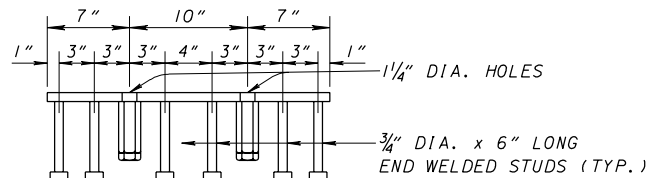
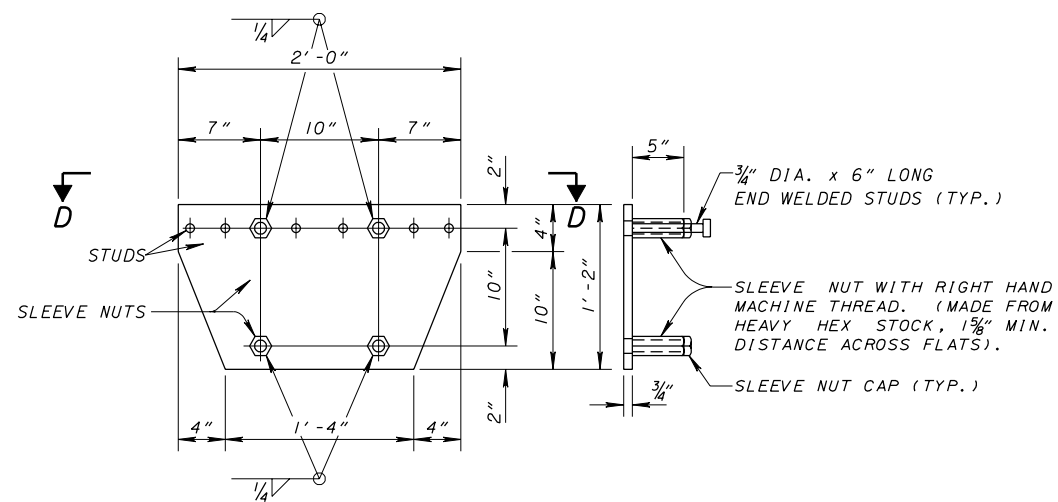


**RAILING CONNECTION DETAIL**



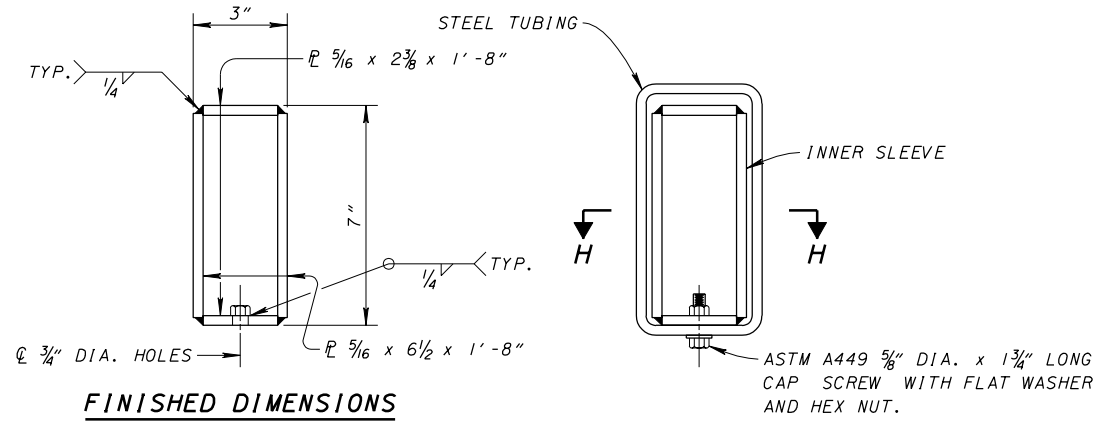
**VIEW D-D**



**ELEVATION**

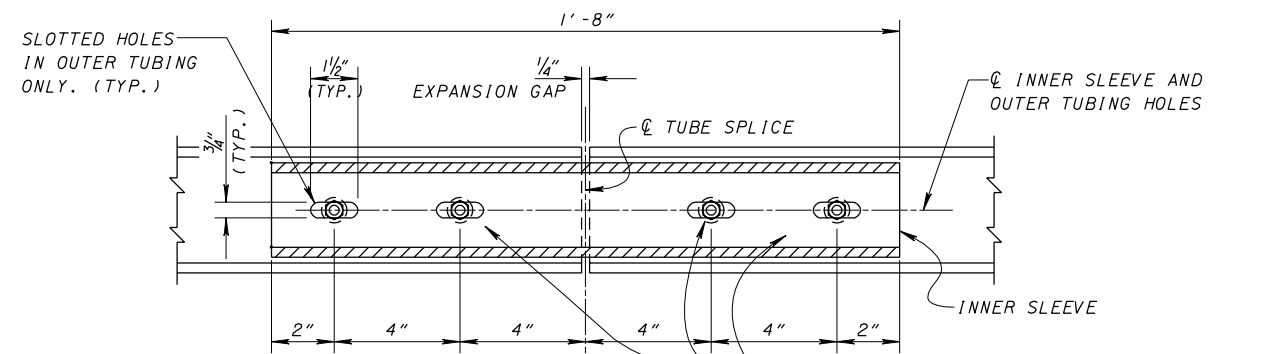
**END VIEW**

**POST ANCHOR DEVICE**



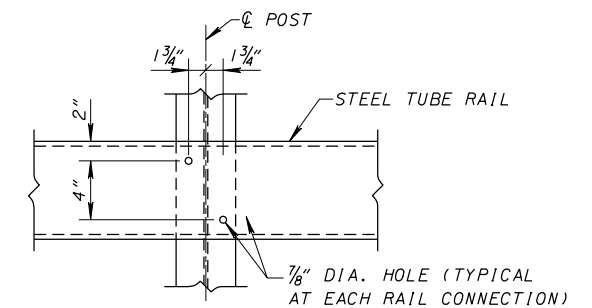
**FINISHED DIMENSIONS OF INNER SLEEVE**

**SECTION THRU SPLICE**

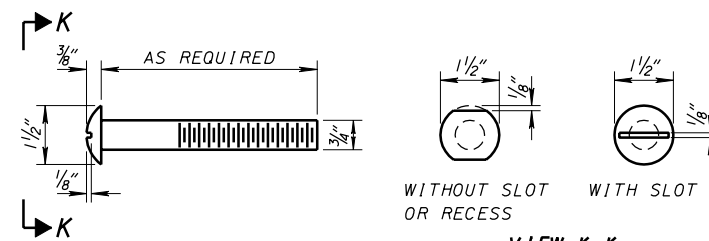


**SECTION H-H**

**STEEL TUBE SPLICE DETAILS**

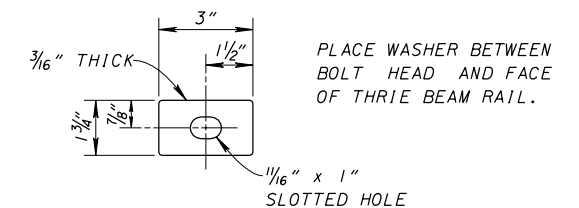


**VIEW E-E**



**VIEW K-K**

**DETAIL OF 3/4" DIA. ROUND HEAD BOLT**



**SPECIAL WASHER**

DESIGN AGENCY	OFFICE OF	STRUCTURAL ENGINEERING
STATE OF OHIO DEPARTMENT OF TRANSPORTATION	7-06-99	DATE
Brad Fogell		ADMINISTRATOR
REVIEWED	WTL	TST-1-99
CHECKED	J.S.	
DESIGNED	AJM/SAM	
REVISIONS	10-20-00	07-19-02
	04-18-03	
STANDARD	TWIN STEEL TUBE	BRIDGE RAILING
3	4	