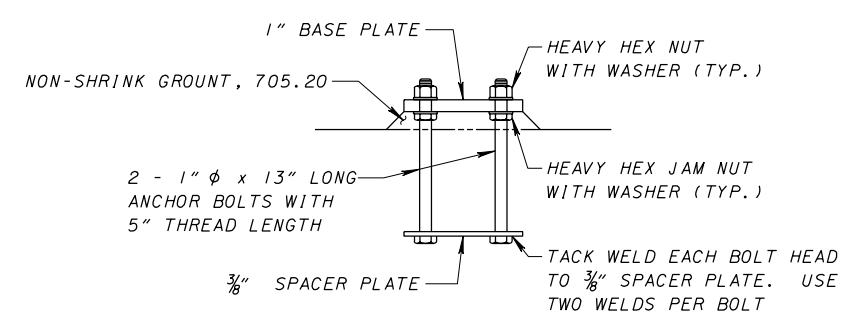
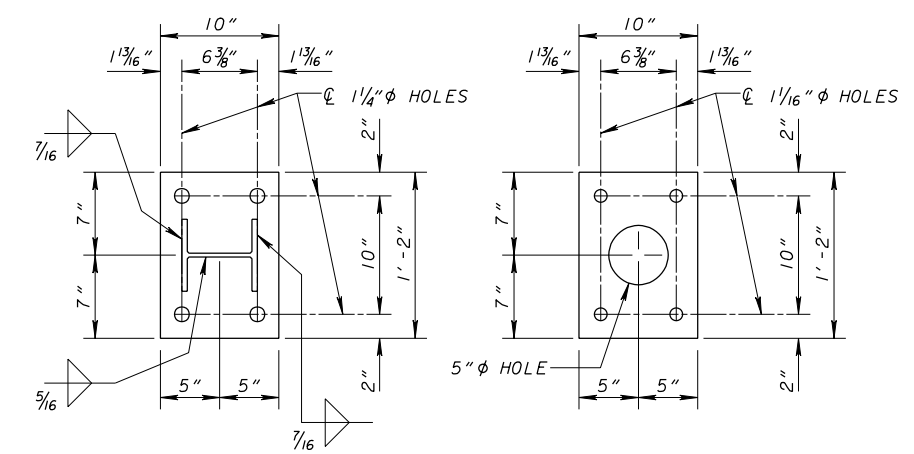


SECTION F-F



FLUSH MOUNTED POST ANCHOR DETAIL

(POST NOT SHOWN)

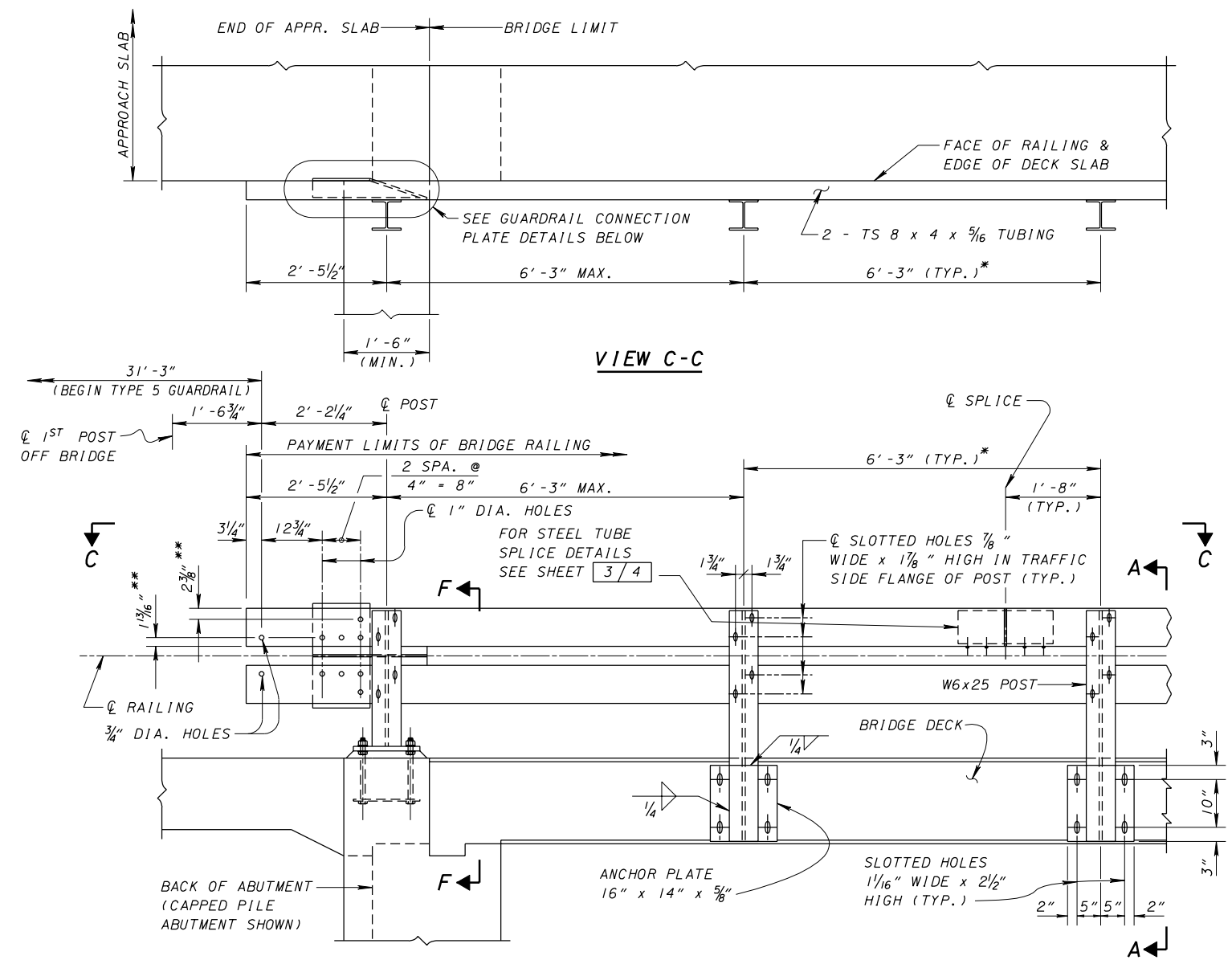


BASE PLATE

(1" PLATE)

SPACER PLATE

(3/8" PLATE)



RAILING ELEVATION ON CONCRETE SLAB

FOR SECTION A-A SEE SHEET 2/4 .

BRIDGE TERMINAL ASSEMBLY NOT SHOWN. REFER TO STANDARD CONSTRUCTION DRAWING GR-3.6 FOR DETAILS.

* - ON EACH SIDE OF THE BRIDGE, ONE POST SPACING PER SPAN MAY BE DECREASED TO ACCOUNT FOR ANY REQUIRED CONSTRUCTION CLEARANCES . NO POST SPACING SHALL EXCEED 6' - 3" .

** - SYMMETRICAL ABOUT φ RAILING

GUARDRAIL CONNECTION PLATE DETAILS