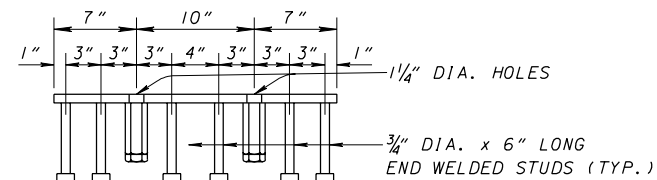
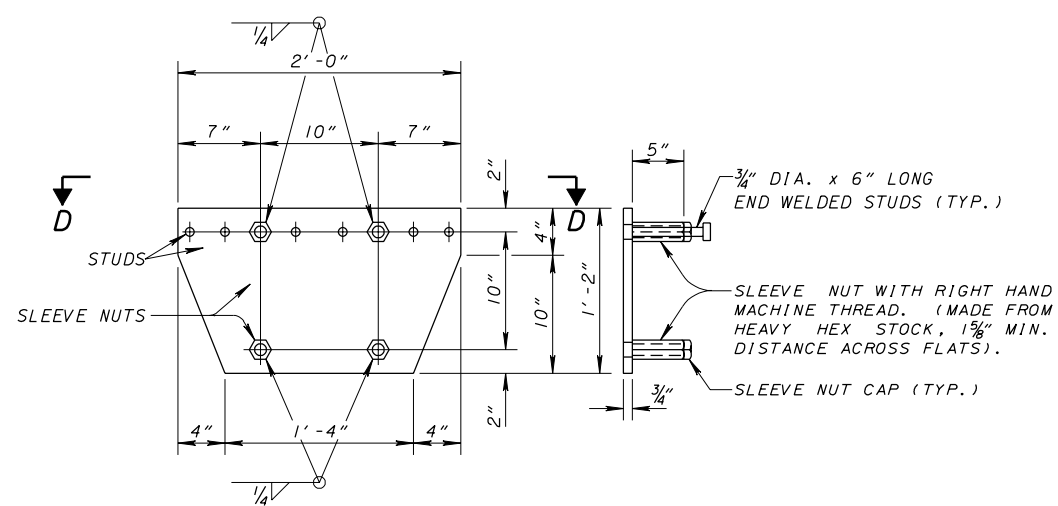


RAILING CONNECTION DETAIL



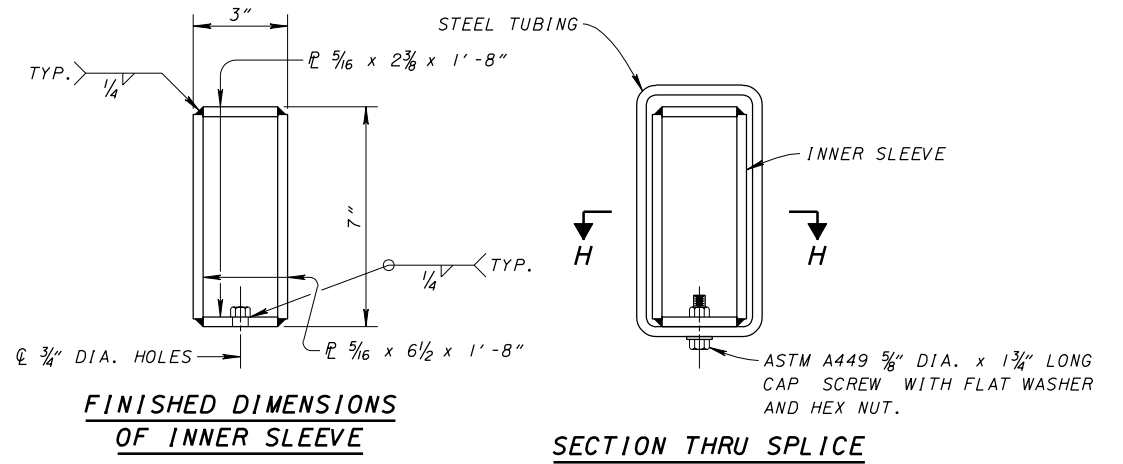
VIEW D-D



ELEVATION

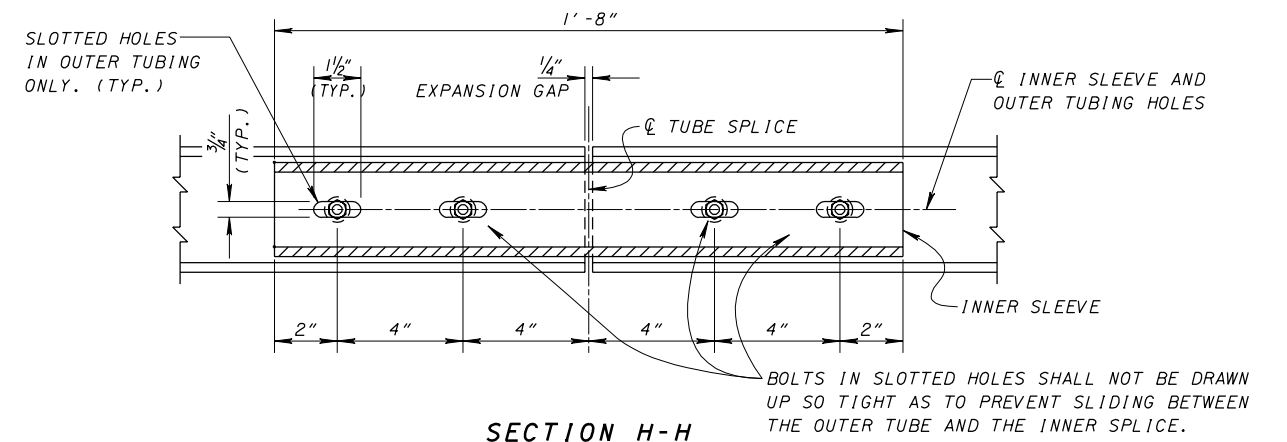
END VIEW

POST ANCHOR DEVICE



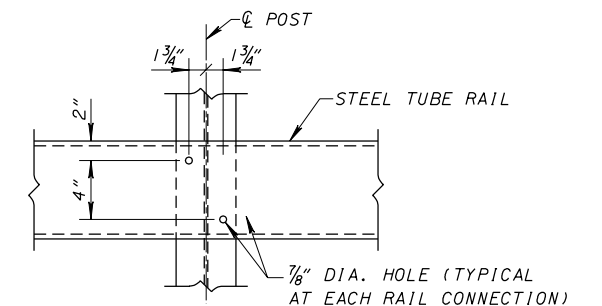
FINISHED DIMENSIONS OF INNER SLEEVE

SECTION THRU SPLICE

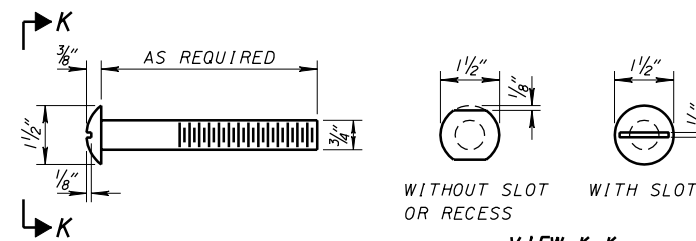


SECTION H-H

STEEL TUBE SPLICE DETAILS

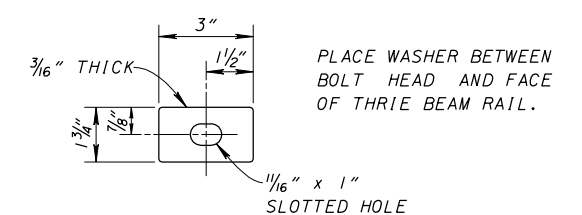


VIEW E-E



VIEW K-K

DETAIL OF 3/4" DIA. ROUND HEAD BOLT



PLACE WASHER BETWEEN BOLT HEAD AND FACE OF THRIE BEAM RAIL.

SPECIAL WASHER

DESIGN AGENCY	OFFICE OF	STRUCTURAL ENGINEERING
STATE OF OHIO DEPARTMENT OF TRANSPORTATION	BRAD TAGYELL	ADMINISTRATOR
7-06-99	DATE	
REVISIONS	DESIGNED	CHECKED
10-20-00	AJM/SAM	J.S.
07-19-02		
04-18-03		
10-17-03		
REVIEWED	WTL	TST-1-99
STANDARD	TWIN STEEL TUBE	BRIDGE RAILING
3	4	