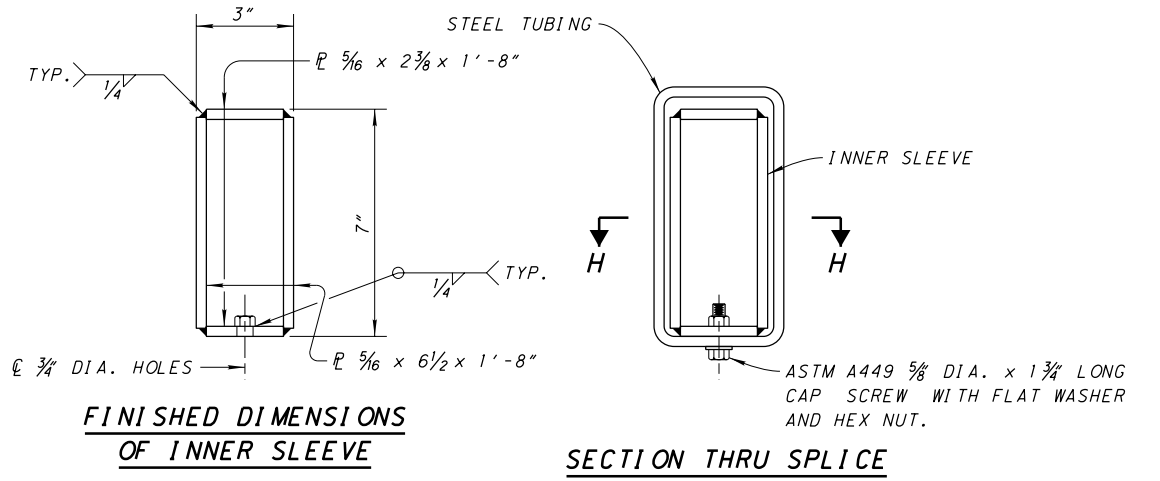
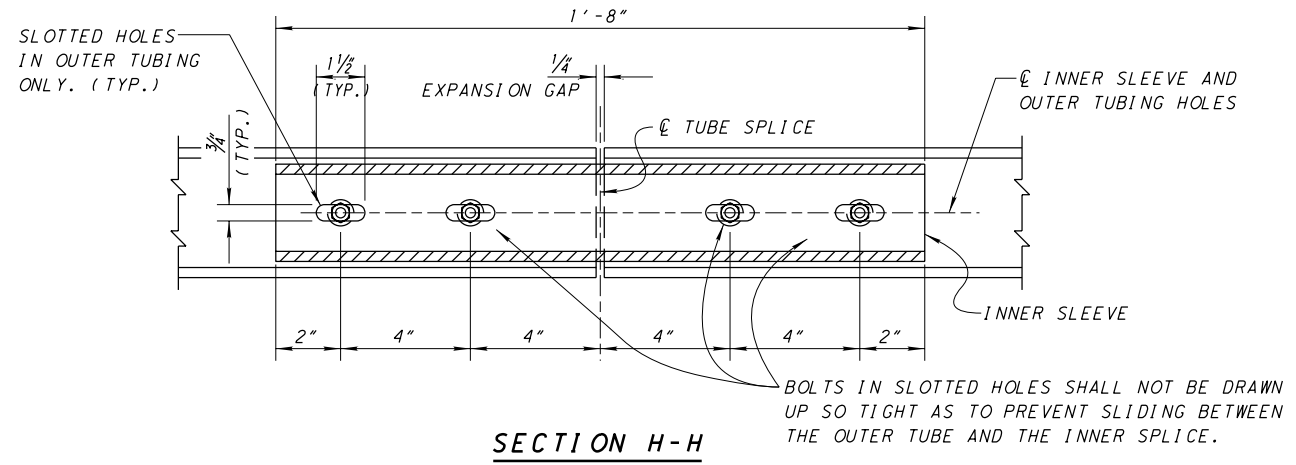


RAILING CONNECTION DETAIL

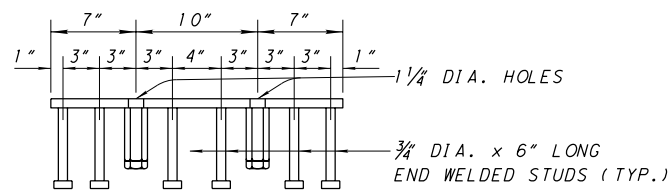


FINISHED DIMENSIONS OF INNER SLEEVE

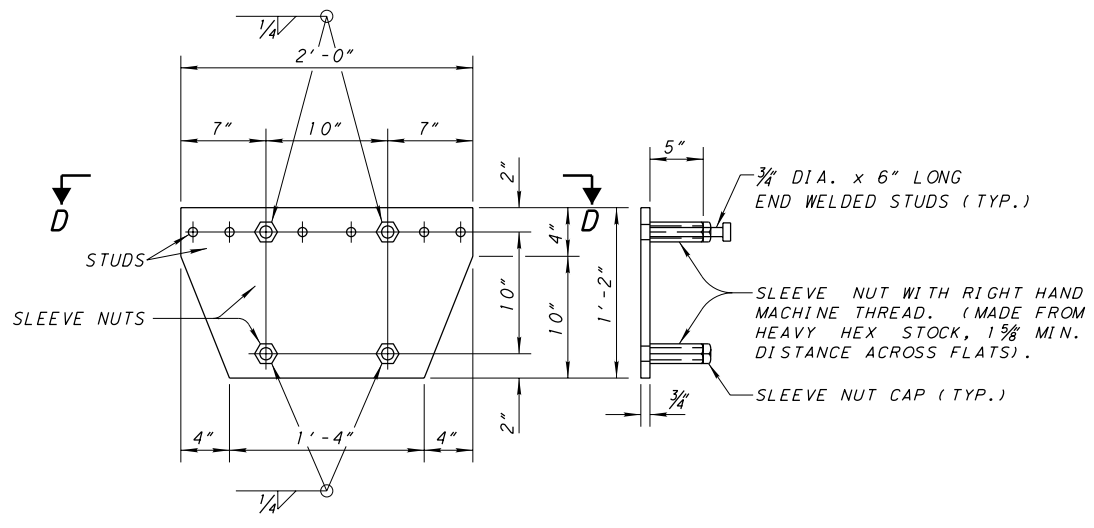
SECTION THRU SPLICE



SECTION H-H STEEL TUBE SPLICE DETAILS

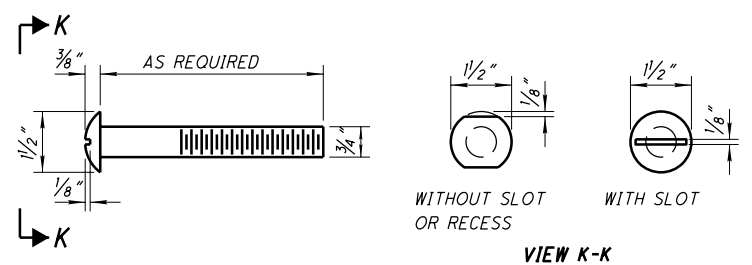


VIEW D-D

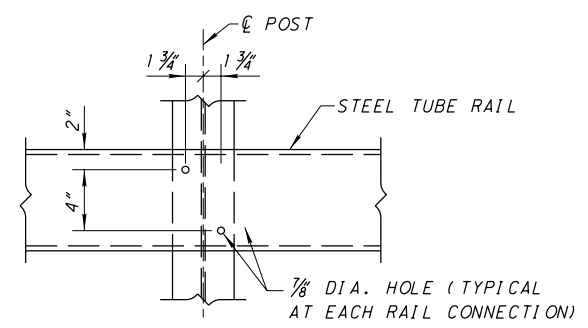


ELEVATION END VIEW

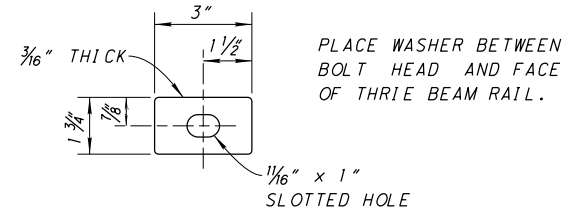
POST ANCHOR DEVICE



DETAIL OF 3/4" DIA. ROUND HEAD BOLT



VIEW E-E



SPECIAL WASHER

DESIGN AGENCY	OFFICE OF	STRUCTURAL ENGINEERING
STATE OF OHIO DEPARTMENT OF TRANSPORTATION	BRUCE FAYGELL	ADMINISTRATOR
DESIGNED	AJM/SAM	DRAWN
CHECKED	JS	TST-1-99
REVIEWED	WTL	DATE
REVISIONS	10-20-00	04-18-08
	07-19-02	04-18-03
	10-17-03	
STANDARD	TWIN STEEL TUBE	BRIDGE RAILING
	3	4