

LEGEND: N.S. = NEAR SIDE
F.S. = FAR SIDE

DESIGN SPECIFICATIONS: "STANDARD SPECIFICATIONS FOR HIGHWAY BRIDGES" ADOPTED BY AASHTO, 1996, INCLUDING THE 1997 INTERIM SPECIFICATION.

DESIGN DATA:
 CONCRETE - COMPRESSIVE STRENGTH = 4500 PSI.
 REINFORCING STEEL - MIN. YIELD STRENGTH = 60,000 PSI.

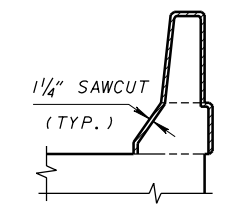
CONTROL JOINTS FOR CONCRETE PARAPETS: SAWCUT 1/4 INCH DEEP CONTROL JOINTS ALONG THE PERIMETER OF THE PARAPET AS SOON AS THE SAW CAN BE OPERATED WITHOUT DAMAGING THE CONCRETE.

USE AN EDGE GUIDE, FENCE OR JIG TO ENSURE THAT THE CUT JOINT IS STRAIGHT, TRUE AND ALIGNED ON ALL FACES OF THE PARAPET. THE JOINT WIDTH SHALL BE THE WIDTH OF THE SAW BLADE, A NOMINAL WIDTH OF 1/4 INCH.

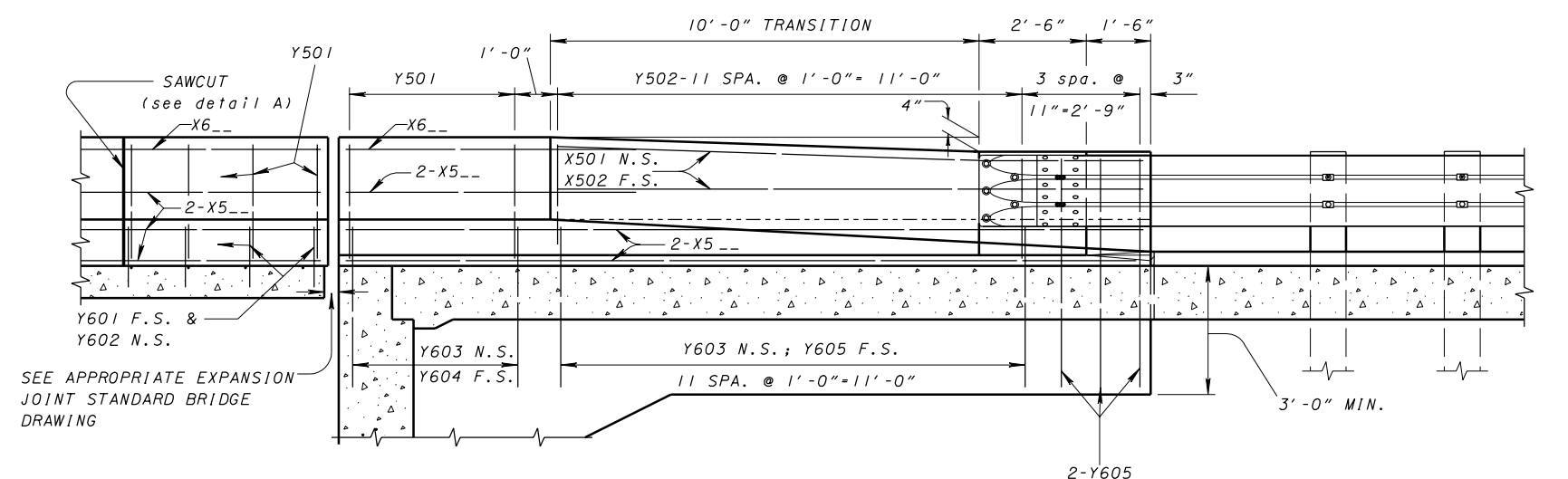
PLACE CONTROL JOINTS AT A MINIMUM OF 6'-0" AND A MAXIMUM OF 10'-0" CENTERS.

SEAL THE PERIMETER OF THE CONTROL JOINT TO A MINIMUM DEPTH OF ONE INCH WITH A POLYURETHANE OR POLYMERIC MATERIAL CONFORMING TO ASTM C920, TYPE S. LEAVE THE BOTTOM ONE-HALF INCH OF BOTH THE INSIDE AND OUTSIDE FACES OF THE PARAPET UNSEALED TO ALLOW ANY WATER WHICH MAY ENTER THE JOINT TO ESCAPE.

FOR BRIDGE TERMINAL ASSEMBLY SEE STANDARD CONSTRUCTION DRAWING GR-3.1 AND GR-3.2.



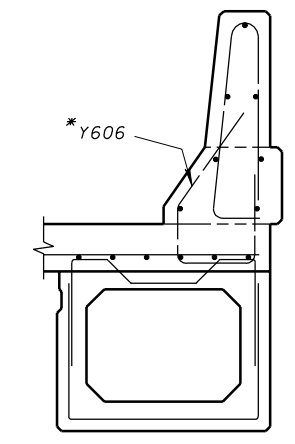
DETAIL A
(section through sawcut)
Sawcut Perimeter = 7'-1"



SECTION A-A

VERTICAL BARS SHALL BE SPACED AT 1'-0" MAXIMUM.
(see project plans)

* - BARS Y601 (DIM. B), Y604, Y606 (DIM. C) SHALL EXTEND 1'-9" TO 2'-0" ABOVE THE CONSTRUCTION JOINT BETWEEN DECK AND PARAPET.

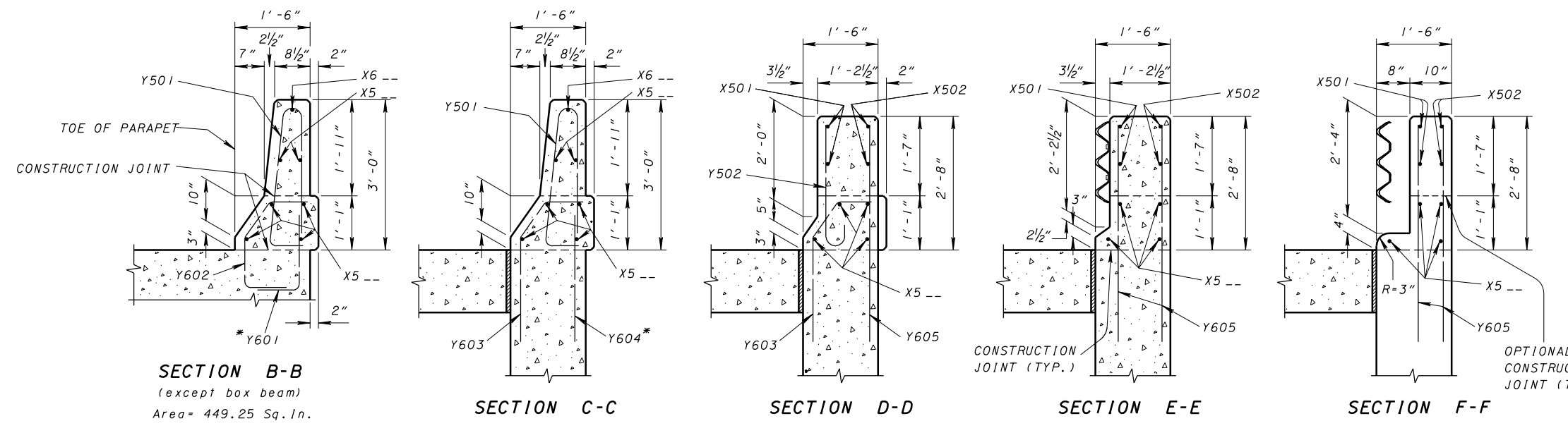


BOX BEAM REINFORCING DETAIL
(composite deck)

Volume of 14'-0" transition section is 1.7 Cu.Yd.

REINFORCING BAR LIST					
MARK	LENGTH	SHP.	MARK	LENGTH	SHP.
X501	13'-10"	BT.	Y601	B+9"	BT.
X502	13'-10"	STR.	Y602	A+2'-2"	BT.
X5	⊕	STR.	Y603	3'-8"	BT.
			Y604	2'-10"	STR.
X6	⊕	STR.	Y605	4'-6"	STR.
			Y606	C+D+2'-6"	BT.
Y501	6'-0"	BT.			
Y502	3'-0"	BT.			

⊕ SEE PROJECT PLANS



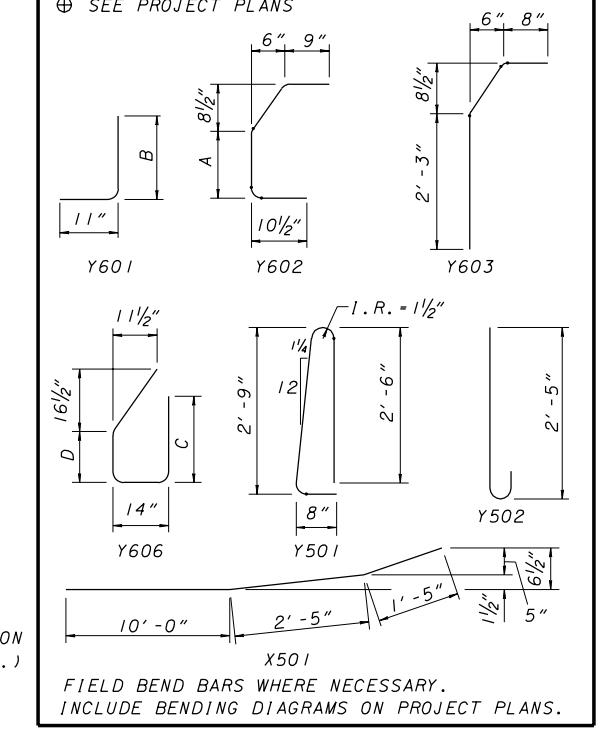
SECTION B-B
(except box beam)
Area = 449.25 Sq. In.

SECTION C-C

SECTION D-D

SECTION E-E

SECTION F-F



FIELD BEND BARS WHERE NECESSARY.
INCLUDE BENDING DIAGRAMS ON PROJECT PLANS.