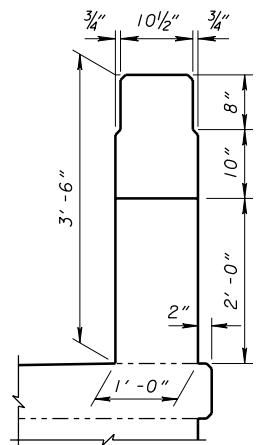
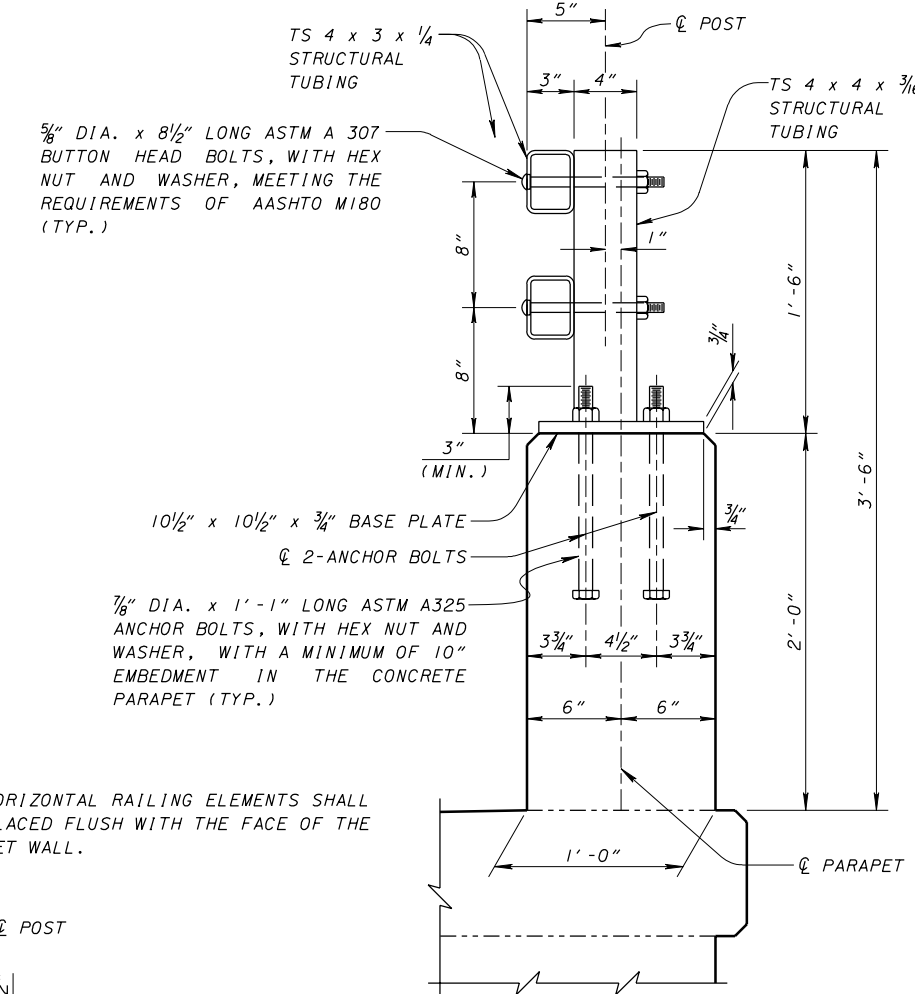


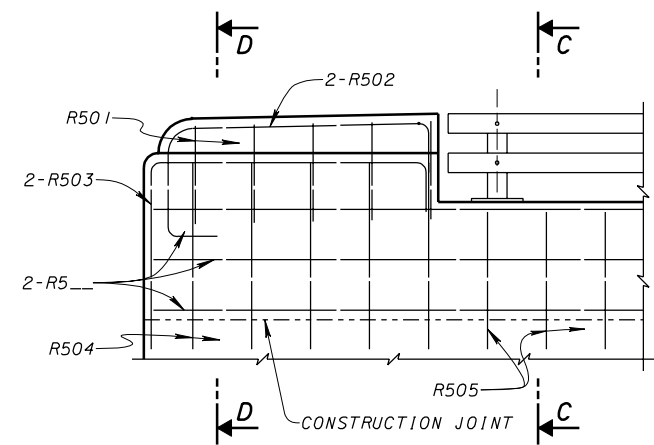
BRIDGE SIDEWALK RAILING WITH NO APPROACH RAILING



SECTION B-B

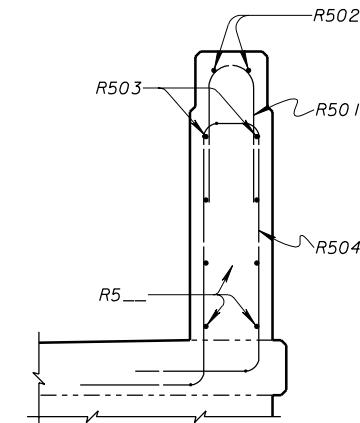


SECTION A-A

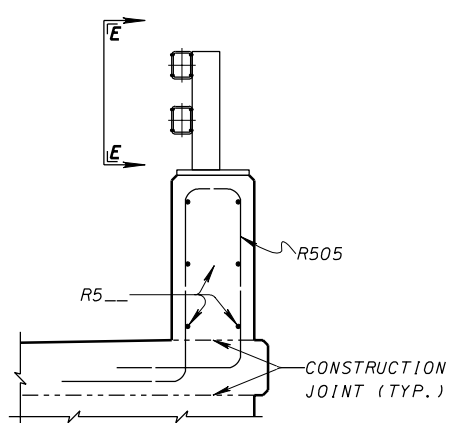


ELEVATION

VERTICAL BARS SHALL BE SPACED AT 1'-0" MIXIMUM. (see project plans)

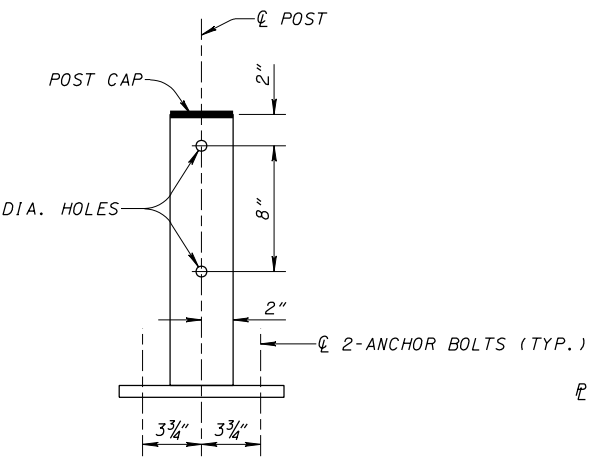


SECTION D-D



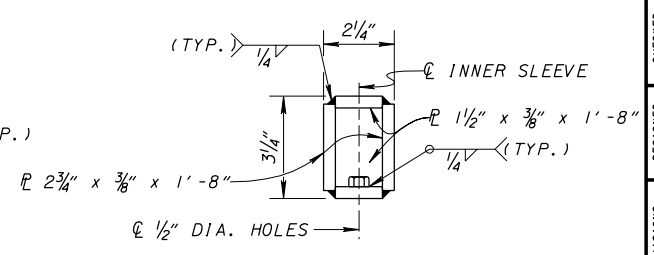
SECTION C-C

NOTE: THE HORIZONTAL RAILING ELEMENTS SHALL BE PLACED FLUSH WITH THE FACE OF THE PARAPET WALL.

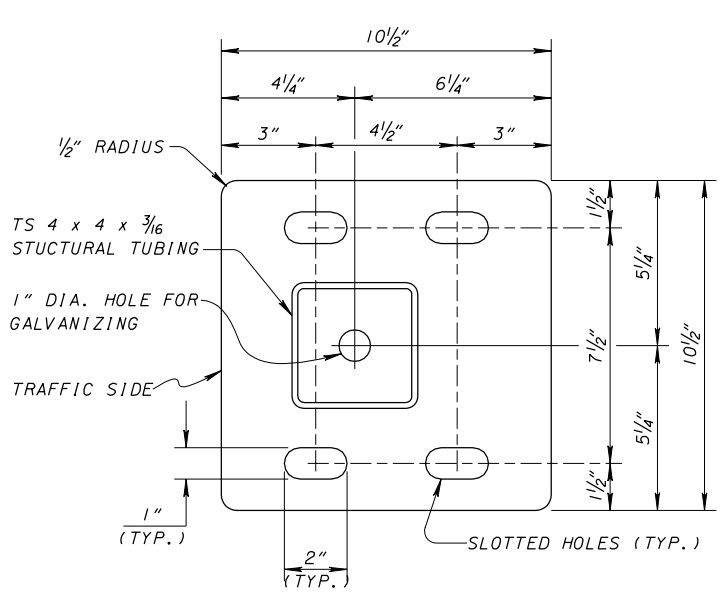


VIEW E-E

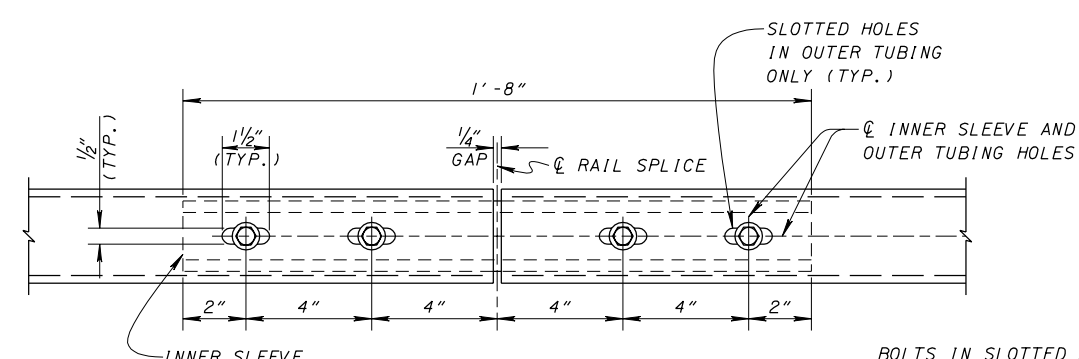
(Tube rail not shown for clarity) (SEE SHEET 2/3 FOR POST CAP DETAILS)



INNER SLEEVE

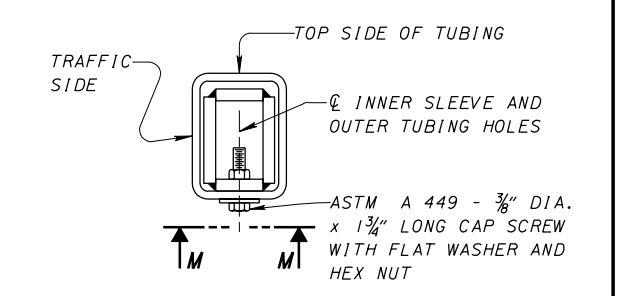


BASE PLATE DETAIL



VIEW M-M

BOLTS IN SLOTTED HOLES SHALL NOT BE DRAWN UP SO TIGHT AS TO PREVENT SLIDING BETWEEN THE OUTER TUBE AND THE INNER SLEEVE.



INTERNAL SPLICE

RAIL SPLICE DETAILS