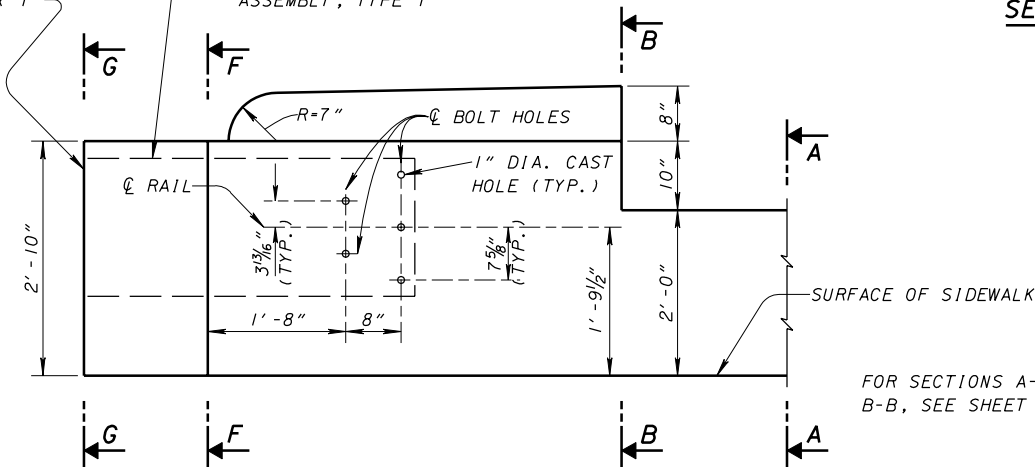
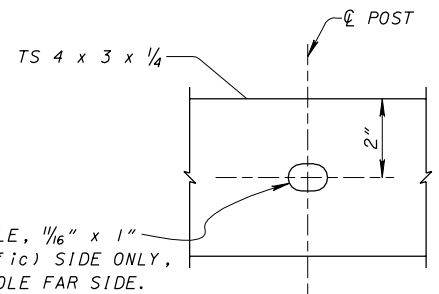


NEAR SIDE EDGE IS TO BE CHAMFERED 1" x 1"

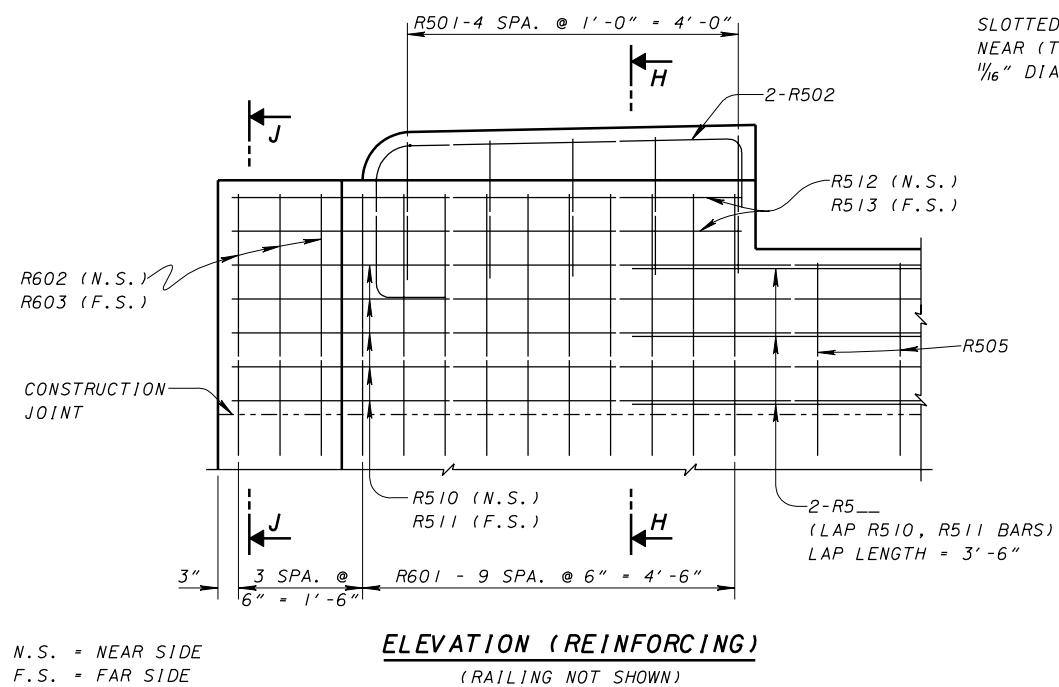
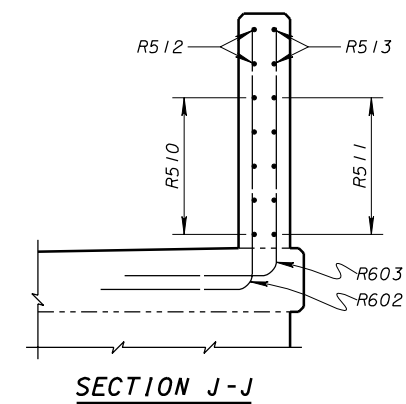
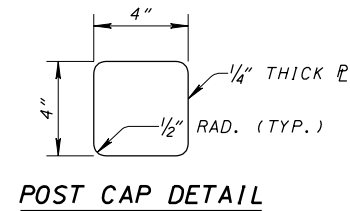
BRIDGE TERMINAL ASSEMBLY, TYPE I



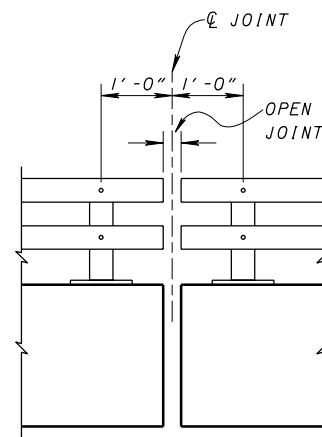
FOR SECTIONS A-A AND B-B, SEE SHEET 1/3.



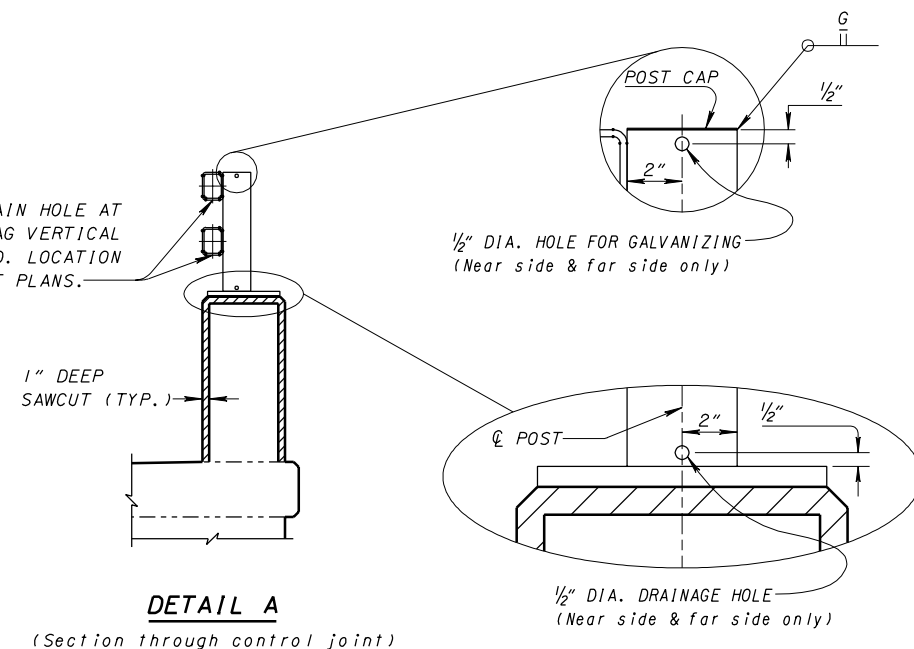
SLOTTED HOLE, 1/16" x 1" NEAR (Traffic) SIDE ONLY, 1/16" DIA. HOLE FAR SIDE.



N.S. = NEAR SIDE
F.S. = FAR SIDE



PROVIDE 1/2" DIA. DRAIN HOLE AT LOWEST POINT WHEN SAG VERTICAL CURVES ARE ENCOUNTERED. LOCATION TO BE SHOWN ON PROJECT PLANS.



BRIDGE SIDEWALK RAILING WITH APPROACH RAILING

(For details not shown, see sheet 1/3).