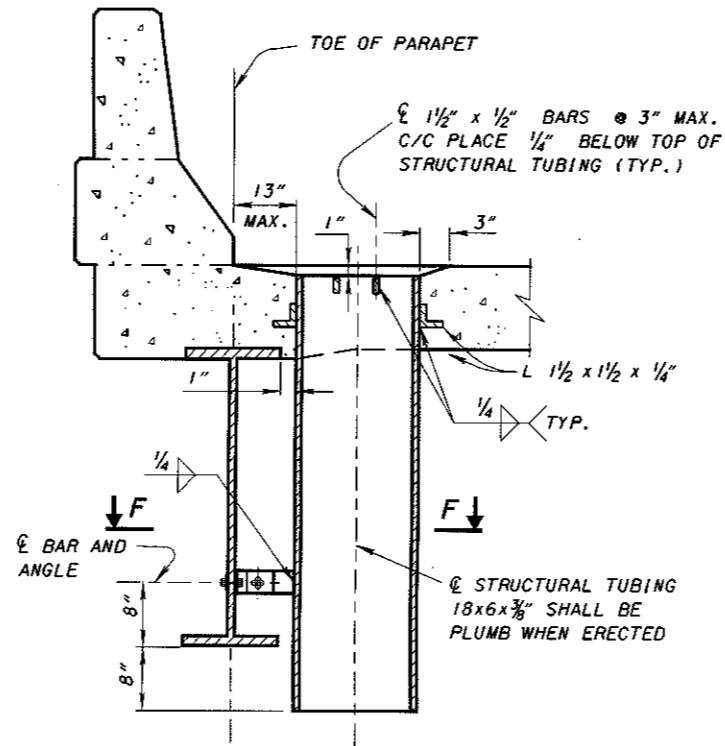
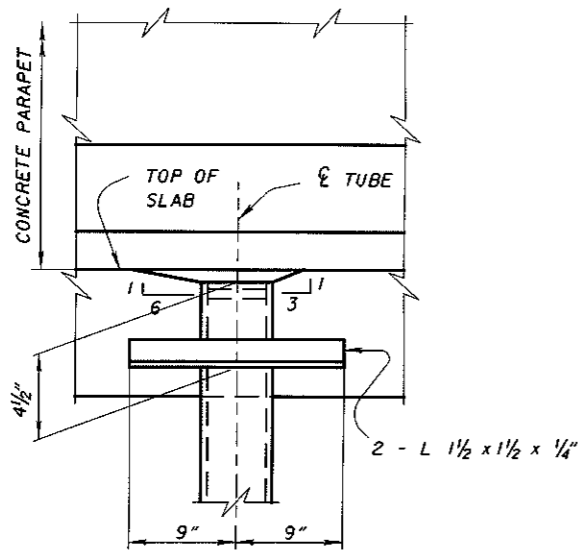


PLAN

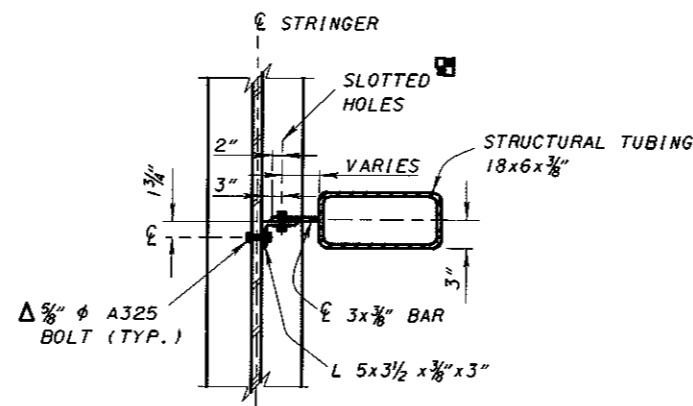
* - DIMENSION "A" SHALL NOT EXTEND BEYOND THE LIMITS OF THE SHOULDER (SHALL NOT FALL IN THE TRAFFIC LANE)



SECTION D-D



SECTION E-E



SECTION F-F

□ - SEE FASTENER NOTE 1.
 Δ - SEE FASTENER NOTE 2.

SCUPPER NOTES:

GENERAL: THE LOCATION OF THE SCUPPERS SHALL BE SHOWN IN THE CONTRACT PLANS ON THE BRIDGE DECK PLAN AND LOCATED AS PER CONTRACT CRITERIA.

SUPPLEMENTAL REINFORCEMENT: THE CONCRETE DECK AT THE TWO SCUPPER CORNERS OPPOSITE THE CURB LINE SHALL BE REINFORCED WITH ONE #4 BAR, 3'-0" LONG ORIENTED AT 45° TO THE LONG AXIS OF THE SCUPPER.

MATERIAL: THE STRUCTURAL STEEL TUBING SHALL BE ASTM A500 GRADE B OR A501. ALL OTHER MATERIAL SHALL BE ASTM A709 GRADE 50. TUBING, SUPPORT ANGLES, BARS, BOLTS, NUTS AND WASHERS SHALL BE GALVANIZED IN ACCORDANCE WITH CMS 711.02.

DECK CROWN/SUPERELEVATION: THE TOP OF THE STEEL TUBING SHALL BE CUT SQUARE FOR CROSS SLOPES 1/2" PER FOOT AND LESS. THE TOP OF THE TUBING SHALL BE CUT PARALLEL TO THE DECK SURFACE FOR CROSS SLOPES GREATER THAN 1/2" PER FOOT.

FASTENER NOTES:

1. THE SIZE OF THE SLOTTED HOLES SHALL BE 1/16" x 1 1/16". THE SLOT SHALL BE HORIZONTAL IN THE 3"x3/8" BAR AND VERTICAL IN THE ANGLE. BOLTS SHALL BE 5/8" φ A325 TYPE 1, GALVANIZED, WITH HEX NUT AND TWO (2) WASHERS, TIGHTENED AS PER CMS 513/SS863.
2. THE BOLTS SHALL BE 5/8" φ A325 TYPE 1 GALVANIZED FOR GALVANIZED, METALIZED OR PAINTED STRUCTURES OR A325 TYPE 3 FOR BARE WEATHERING STEEL STRUCTURES. EACH ASSEMBLY SHALL INCLUDE A BOLT, NUT AND TWO (2) WASHERS, TIGHTENED AS PER CMS 513/SS863. FOR WEATHERING STEEL STRUCTURES, PROVIDE A 3 1/2" x 3 1/2" x 1/8" PREFORMED BEARING PAD WITH A 1/16" φ HOLE PER CMS 711.21 BETWEEN THE BEAM WEB AND THE ANGLE. FIELD DRILL THE 1/16" φ HOLE IN THE WEB AFTER THE DECK CONCRETE HAS BEEN POURED.

MEASUREMENT: MEASUREMENT AND PAYMENT IS PER ITEM 518 AND INCLUDES ALL LABOR, MATERIALS, COATINGS AND EQUIPMENT NECESSARY TO COMPLETE THE INSTALLATION OF THE SCUPPER.

| | |
|--|-----------------|
| DESIGN AGENCY OFFICE OF STRUCTURAL ENGINEERING | |
| STATE OF OHIO DEPARTMENT OF TRANSPORTATION | DATE 2-12-97 |
| ADMINISTRATOR <i>Brad Taggell</i> | |
| REVISIONS 04-20-01 | REVIEWED WTL |
| DESIGNED JCR | CHECKED JS |
| DRAWN JFF/FO | GSD-1-96 |
| STANDARD GENERAL STEEL DETAILS | |
| 3 | 3 |