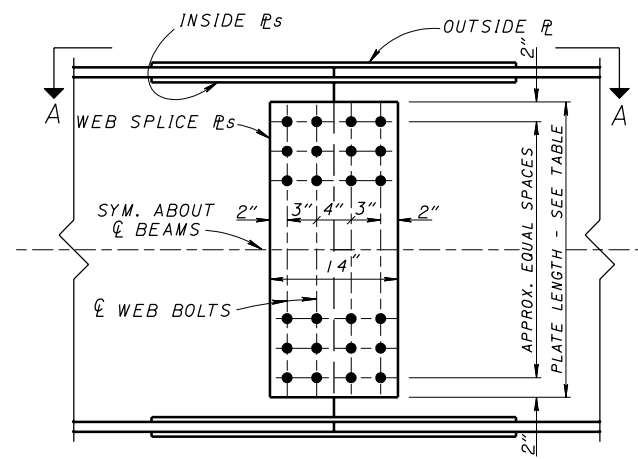
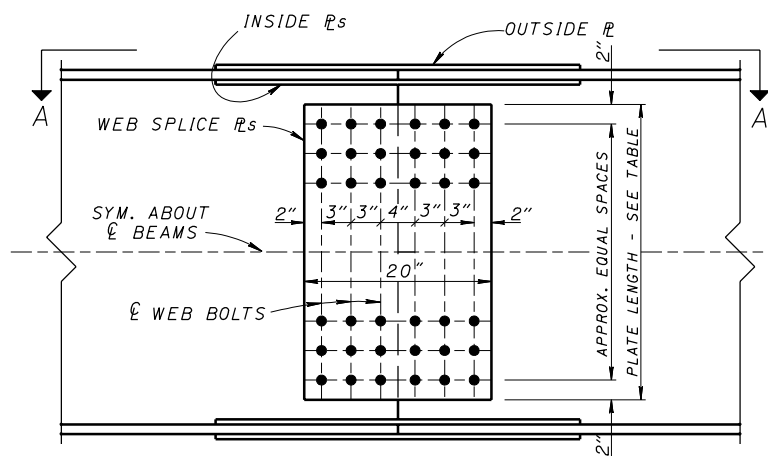


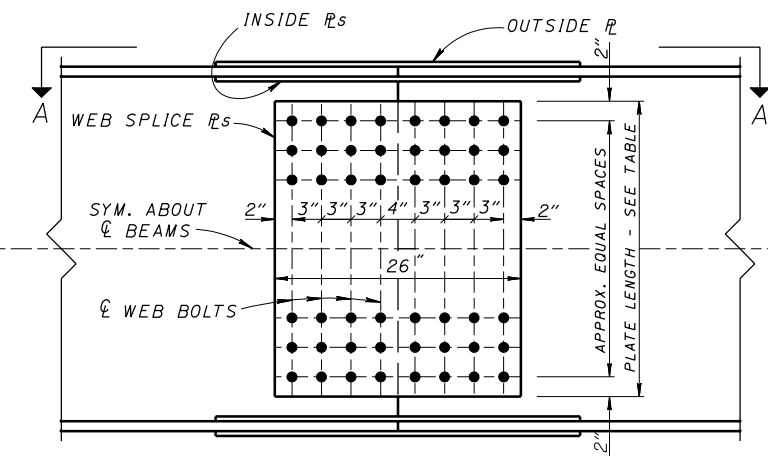
BEAM SPLICE DETAILS													
BEAM	TYPE	FLANGE PLATES		FLANGE BOLTS			WEB SPLICE		WEIGHT OF SPLICE MAT'L	lbs. #			
		OUTSIDE 2 REQ'D	INSIDE 4 REQ'D	NUM.	N SPA.	PITCH	A	B					C
W40X268	B	17 1/2 x 3/8 x 4'-2"	7 x 3/8 x 4'-2"	64	7	3 1/2	2 3/16	3	7 1/8	B	33 1/4 x 3/8 x 20	60	960
W40X249	B	15 1/2 x 3/8 x 4'-2"	6 x 3/8 x 4'-2"	64	7	3 1/2	2 3/16	2	7 1/8	B	33 1/4 x 3/8 x 20	60	890
W40X244	B	17 1/2 x 3/8 x 4'-2"	7 x 3/8 x 4'-2"	64	7	3 1/2	2 3/16	3	7 1/8	B	33 1/4 x 3/8 x 20	60	910
W40X221	B	17 1/2 x 1/2 x 3'-2"	7 x 1/2 x 3'-2"	48	5	3 1/2	2 3/16	3	7 1/8	B	33 1/4 x 3/8 x 20	60	720
W40X215	B	15 1/2 x 3/8 x 4'-2"	6 x 3/8 x 4'-2"	64	7	3 1/2	2 3/16	2	7 1/8	B	33 1/4 x 1/2 x 20	60	820
W40X199	B	15 1/2 x 1/2 x 3'-2"	6 x 1/2 x 3'-2"	48	5	3 1/2	2 3/16	2	7 1/8	B	33 1/4 x 1/2 x 20	60	650
W40X192	B	17 1/2 x 3/8 x 3'-2"	7 x 3/8 x 3'-2"	48	5	3 1/2	2 3/16	3	7 1/8	B	33 1/4 x 3/8 x 20	60	630
W40X183	A	11 1/2 x 3/8 x 2'-8"	4 x 3/8 x 2'-8"	40	4	3 1/2	2 3/16	-	7 1/8	B	33 1/4 x 1/2 x 20	60	560
W40X167	A	11 1/2 x 1/2 x 2'-2"	4 x 1/2 x 2'-2"	32	3	3 1/2	2 3/16	-	7 1/8	B	33 1/4 x 1/2 x 20	60	470
W40X149	A	11 1/2 x 1/8 x 2'-2"	4 x 1/8 x 2'-2"	32	3	3 1/2	2 3/8	-	7	B	33 1/4 x 1/2 x 20	60	460
W36X300	B	16 x 3/4 x 6'-3 1/2"	6 1/2 x 3/4 x 6'-3 1/2"	80	9	3 3/4	2 3/16	2 1/2	7	C	31 x 3/8 x 26	80	1510
W36X280	B	16 x 1/8 x 5'-1 1/2"	6 1/2 x 1/8 x 5'-1 1/2"	64	7	3 3/4	2 3/16	2 1/2	7	B	31 x 1/8 x 20	60	1120
W36X260	B	16 x 3/8 x 5'-1 1/2"	6 1/2 x 3/8 x 5'-1 1/2"	64	7	3 3/4	2 1/4	2 1/2	7	B	31 x 3/8 x 20	60	1060
W36X245	B	16 x 3/8 x 5'-1 1/2"	6 1/2 x 3/8 x 5'-1 1/2"	64	7	3 3/4	2 3/16	2 1/2	6 3/8	B	31 x 3/8 x 20	60	970
W36X230	B	16 x 3/8 x 5'-1 1/2"	6 1/2 x 3/8 x 5'-1 1/2"	64	7	3 3/4	2 3/16	2 1/2	6 7/8	B	31 x 3/8 x 20	60	940
W36X210	A	12 x 3/8 x 3'-0"	4 1/2 x 3/8 x 3'-0"	40	4	3 1/2	2 3/16	-	7	B	31 x 3/8 x 20	60	670
W36X194	A	12 x 3/8 x 3'-0"	4 1/2 x 3/8 x 3'-0"	40	4	3 1/2	2 3/8	-	6 7/8	B	31 x 3/8 x 20	60	620
W36X182	A	12 x 3/8 x 3'-0"	4 1/2 x 3/8 x 3'-0"	40	4	3 1/2	2 3/8	-	6 7/8	B	31 x 3/8 x 20	60	600
W36X170	A	12 x 1/2 x 2'-5"	4 1/2 x 1/2 x 2'-5"	32	3	3 1/2	2 3/16	-	6 7/8	B	31 x 3/8 x 20	60	510
W36X160	A	12 x 1/2 x 2'-5"	4 1/2 x 1/2 x 2'-5"	32	3	3 1/2	2 3/8	-	6 3/4	B	31 x 3/8 x 20	60	500
W36X150	A	11 3/4 x 1/8 x 2'-5"	4 1/2 x 1/8 x 2'-5"	32	3	3 1/2	2 3/8	-	6 3/4	A	31 x 1/2 x 14	40	380
W36X135	A	11 3/4 x 7/16 x 1'-10"	4 1/2 x 7/16 x 1'-10"	24	2	3 1/2	2 3/8	-	6 3/4	A	31 x 7/16 x 14	40	310
W33X263	B	15 1/2 x 3/8 x 4'-9"	6 1/2 x 3/8 x 4'-9"	64	7	3 1/2	2 3/16	2 1/2	6 3/8	C	28 x 3/8 x 26	72	1150
W33X241	B	15 1/2 x 3/8 x 4'-9"	6 1/2 x 3/8 x 4'-9"	64	7	3 1/2	2 1/4	2 1/2	6 3/8	C	28 x 3/8 x 26	72	1090
W33X221	B	15 1/2 x 3/8 x 4'-9"	6 1/2 x 3/8 x 4'-9"	64	7	3 1/2	2 3/16	2 1/2	6 3/8	B	28 x 3/8 x 20	54	890
W33X201	B	15 1/2 x 1/2 x 3'-7"	6 1/2 x 1/2 x 3'-7"	48	5	3 1/2	2 1/4	2 1/2	6 1/4	B	28 x 3/8 x 20	54	680
W33X169	A	11 x 3/8 x 3'-0"	4 1/2 x 3/8 x 3'-0"	40	4	3 1/2	2 3/8	-	6 3/4	B	28 x 3/8 x 20	54	570
W33X152	A	11 x 1/2 x 2'-5"	4 1/2 x 1/2 x 2'-5"	32	3	3 1/2	2 1/6	-	6 3/4	B	28 x 3/8 x 20	54	460
W33X141	A	11 x 1/8 x 2'-5"	4 1/2 x 1/8 x 2'-5"	32	3	3 1/2	2 1/6	-	6 3/8	B	28 x 3/8 x 20	54	460
W33X130	A	11 x 1/8 x 1'-10"	4 1/2 x 1/8 x 1'-10"	24	2	3 1/2	2 1/6	-	6 3/8	A	28 x 1/2 x 14	36	300
W33X118	A	11 x 3/8 x 1'-10"	4 1/2 x 3/8 x 1'-10"	24	2	3 1/2	2 1/6	-	6 3/8	A	28 x 7/16 x 14	36	280
W30X211	B	15 x 3/8 x 5'-1 1/2"	6 x 3/8 x 5'-1 1/2"	64	7	3 1/2	2 3/16	2	6 1/4	B	25 x 3/4 x 20	48	910
W30X191	A	15 x 1/2 x 3'-7"	6 x 1/2 x 3'-7"	48	5	3 1/2	3 1/8	-	8 1/8	B	25 x 1/8 x 20	48	670
W30X173	A	14 3/4 x 1/2 x 3'-0"	6 x 1/2 x 3'-0"	40	4	3 1/2	3 1/8	-	8 1/8	B	25 x 3/8 x 20	48	570
W30X148	A	10 x 3/8 x 2'-5"	4 x 3/8 x 2'-5"	32	3	3 1/2	2 1/4	-	6	B	25 x 3/8 x 20	48	460
W30X132	A	10 x 1/2 x 2'-5"	4 x 1/2 x 2'-5"	32	3	3 1/2	2 3/16	-	6 1/8	B	25 x 3/8 x 20	48	420
W30X124	A	10 x 7/16 x 1'-10"	4 x 7/16 x 1'-10"	24	2	3 1/2	2 1/4	-	6	B	25 x 3/8 x 20	48	370
W30X116	A	10 x 7/16 x 1'-10"	4 x 7/16 x 1'-10"	24	2	3 1/2	2 1/4	-	6	A	25 x 1/2 x 14	32	280
W30X108	A	10 x 3/8 x 1'-10"	4 x 3/8 x 1'-10"	24	2	3 1/2	2 1/4	-	6	A	25 x 7/16 x 14	32	260
W30X99	A	10 x 3/8 x 1'-10"	4 x 3/8 x 1'-10"	24	2	3 1/2	2 1/4	-	6	A	25 x 7/16 x 14	32	260
W30X90	A	10 x 3/8 x 1'-10"	4 x 3/8 x 1'-10"	24	2	3 1/2	2 3/16	-	6	A	25 x 7/16 x 14	32	260
W27X194	A	14 x 3/8 x 3'-7"	5 1/2 x 3/8 x 3'-7"	48	5	3 1/2	3 1/4	-	7 1/2	C	22 x 3/8 x 26	56	770
W27X178	A	14 x 1/2 x 3'-7"	5 1/2 x 1/2 x 3'-7"	48	5	3 1/2	3 1/4	-	7 5/8	B	22 x 3/8 x 20	42	630
W27X161	A	14 x 1/2 x 3'-0"	5 1/2 x 1/2 x 3'-0"	40	4	3 1/2	3 1/4	-	7 1/2	B	22 x 1/8 x 20	42	540
W27X146	A	13 3/4 x 7/16 x 3'-0"	5 1/2 x 7/16 x 3'-0"	40	4	3 1/2	3 1/4	-	7 1/2	B	22 x 3/8 x 20	42	500
W27X129	A	10 x 1/2 x 2'-5"	4 x 1/2 x 2'-5"	32	3	3 1/2	2 1/6	-	5 7/8	B	22 x 3/8 x 20	42	410
W27X114	A	10 x 1/8 x 1'-10"	4 x 1/8 x 1'-10"	24	2	3 1/2	2 1/8	-	5 7/8	B	22 x 3/8 x 20	42	330
W27X102	A	10 x 3/8 x 1'-10"	4 x 3/8 x 1'-10"	24	2	3 1/2	2 1/6	-	5 7/8	A	22 x 1/2 x 14	28	250
W27X94	A	9 3/4 x 3/8 x 1'-10"	4 x 3/8 x 1'-10"	24	2	3 1/2	2 1/6	-	5 7/8	A	22 x 7/16 x 14	28	240
W27X84	A	9 3/4 x 3/8 x 1'-10"	4 x 3/8 x 1'-10"	24	2	3 1/2	2 1/6	-	5 7/8	A	22 x 7/16 x 14	28	240
W24X162	A	12 1/2 x 3/8 x 3'-0"	5 x 3/8 x 3'-0"	40	4	3 1/2	2 3/16	-	7 1/8	C	19 x 3/8 x 26	48	620
W24X146	A	12 1/2 x 1/2 x 3'-0"	5 x 1/2 x 3'-0"	40	4	3 1/2	2 3/8	-	7 1/8	B	19 x 3/4 x 20	36	490



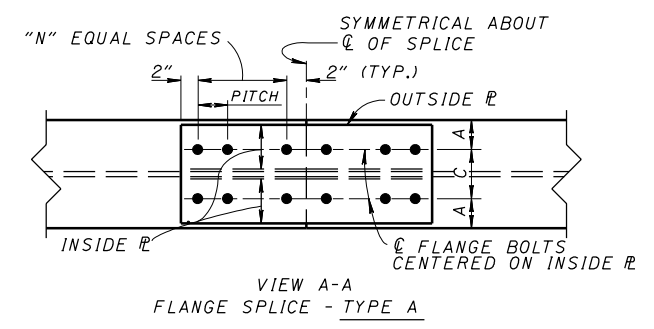
BEAM SPLICE DETAIL  
WEB SPLICE - TYPE A



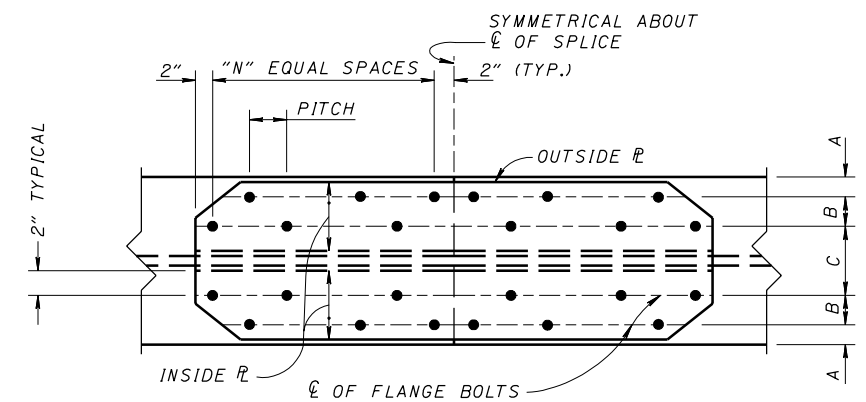
BEAM SPLICE DETAIL  
WEB SPLICE - TYPE B



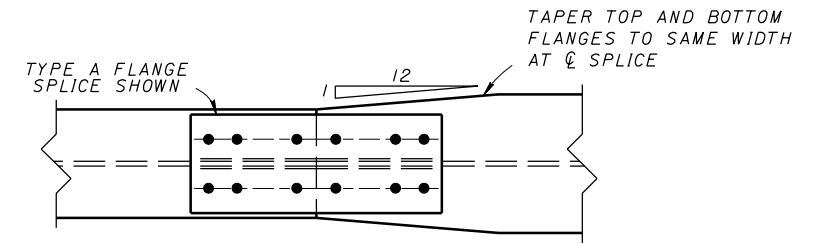
BEAM SPLICE DETAIL  
WEB SPLICE - TYPE C



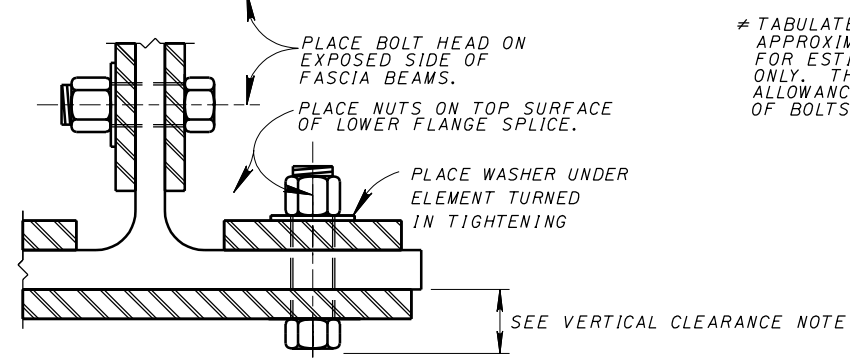
VIEW A-A  
FLANGE SPLICE - TYPE A



VIEW A-A  
FLANGE SPLICE - TYPE B



VIEW A-A  
SPLICE DETAIL FOR BEAMS HAVING  
DIFFERENT FLANGE WIDTHS



PARTIAL SECTION  
(AT C OF BEAM SPLICE)

\* TABULATED WEIGHTS ARE APPROXIMATE AND ARE FOR ESTIMATING PURPOSES ONLY. THEY INCLUDE AN ALLOWANCE FOR WEIGHT OF BOLTS AND WASHERS.

NOTE: ALL SHAPES AND PLATES SHALL BE DESIGNATED (CVN), AND SHALL MEET SPECIFIED MINIMUM NOTCH TOUGHNESS REQUIREMENTS AS SPECIFIED IN 711.01 OF CMS.

NOTE: ALL FASTENERS ARE 1" DIAMETER HIGH STRENGTH BOLTS, ASTM A-325