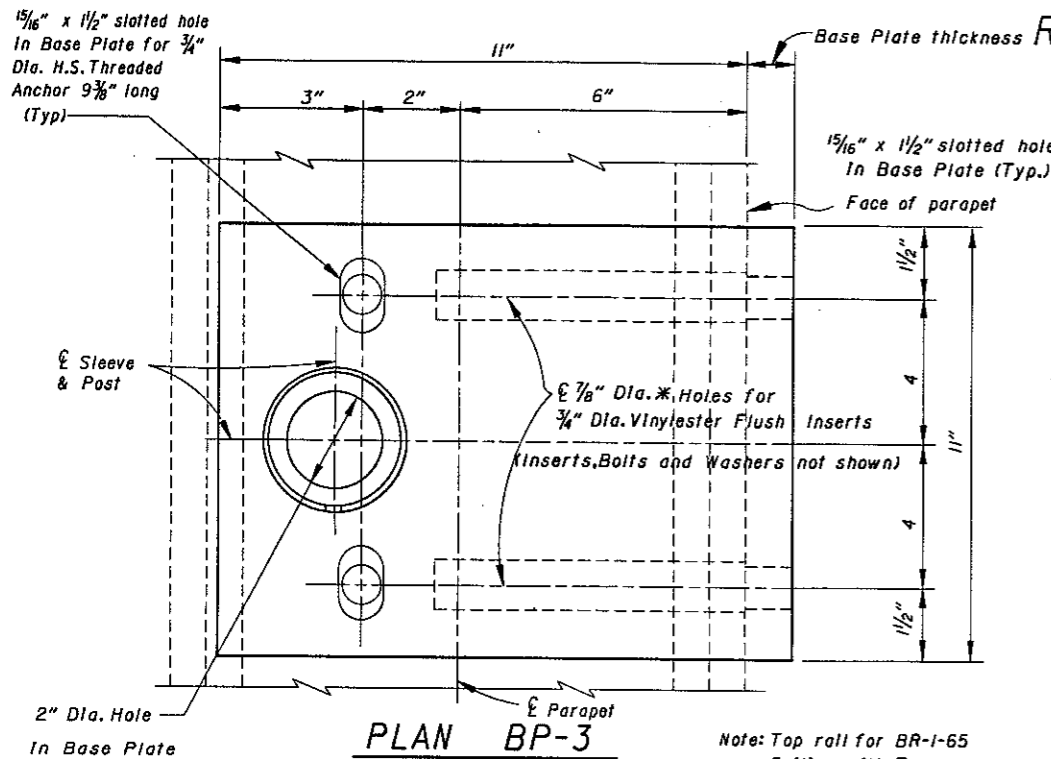


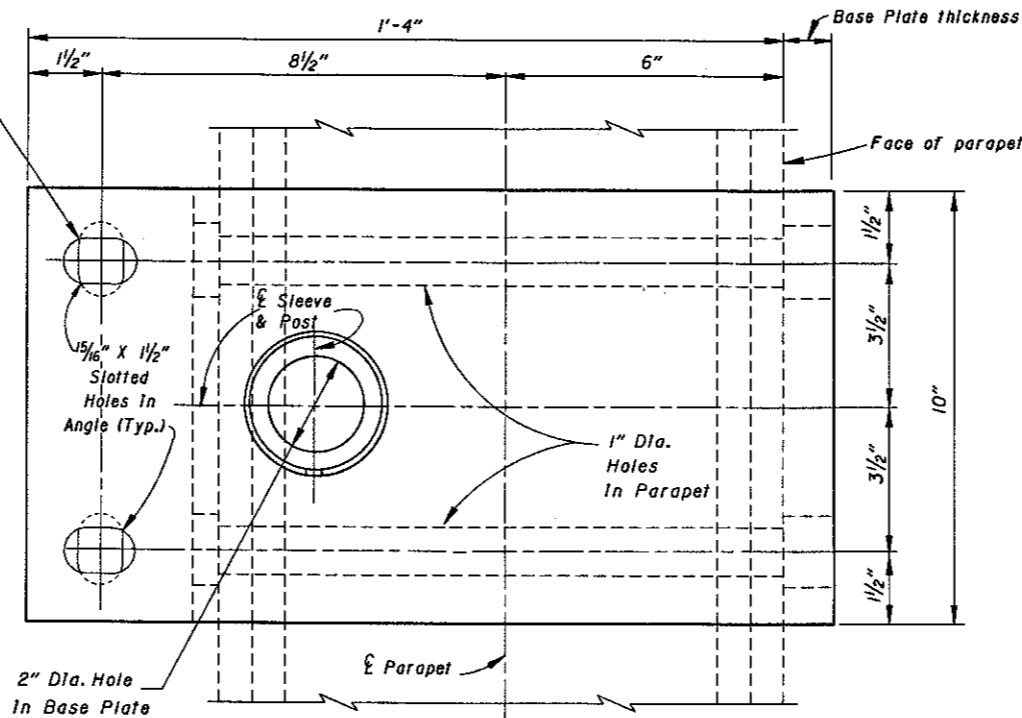
RETROFIT BASE PLATES FOR FENCE POSTS



PLAN BP-3

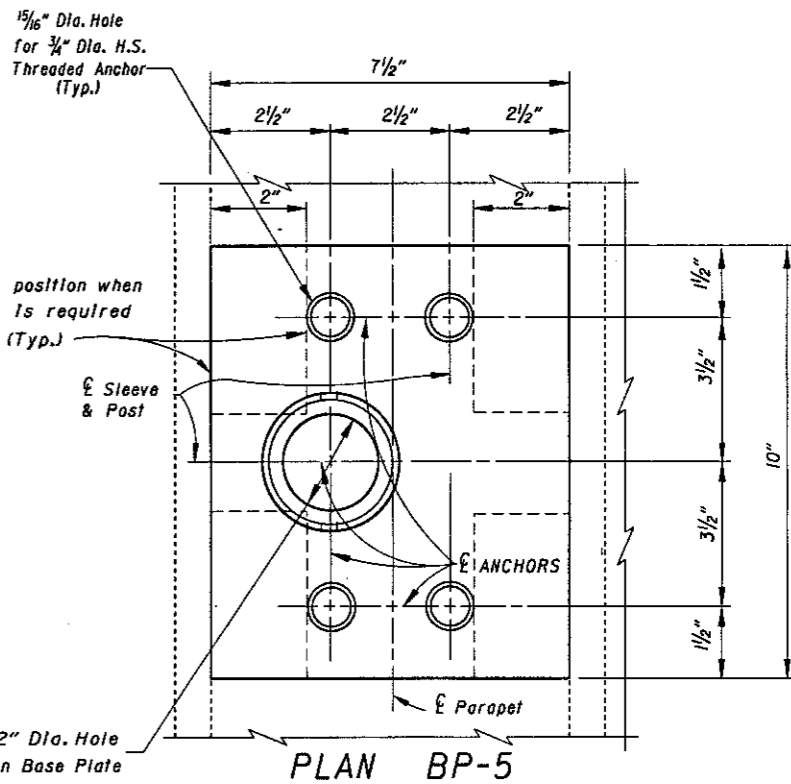
SHIM POSITIONS, POST AND SET SCREW NOT SHOWN

Note: Top rail for BR-1-65 Railing with Type 2 posts not shown.



PLAN BP-4

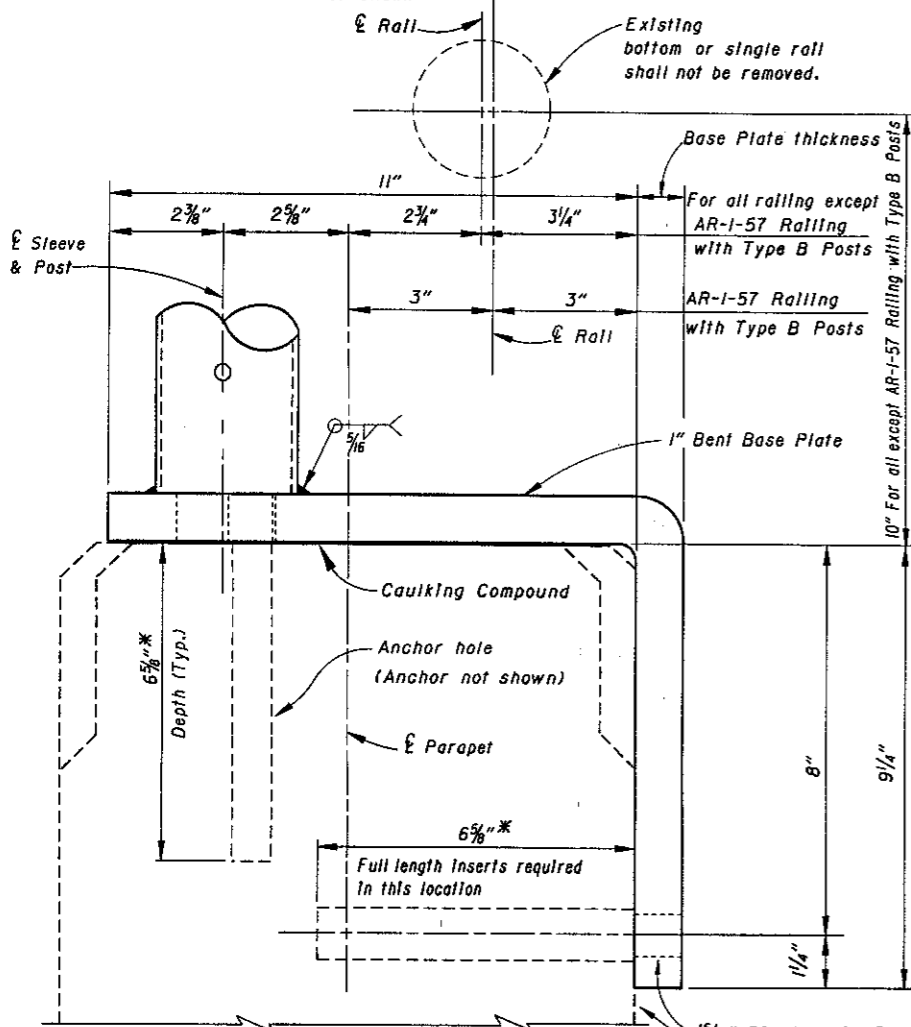
SHIM POSITIONS, POST AND SET SCREW NOT SHOWN



PLAN BP-5

SHIM POSITIONS SHOWN

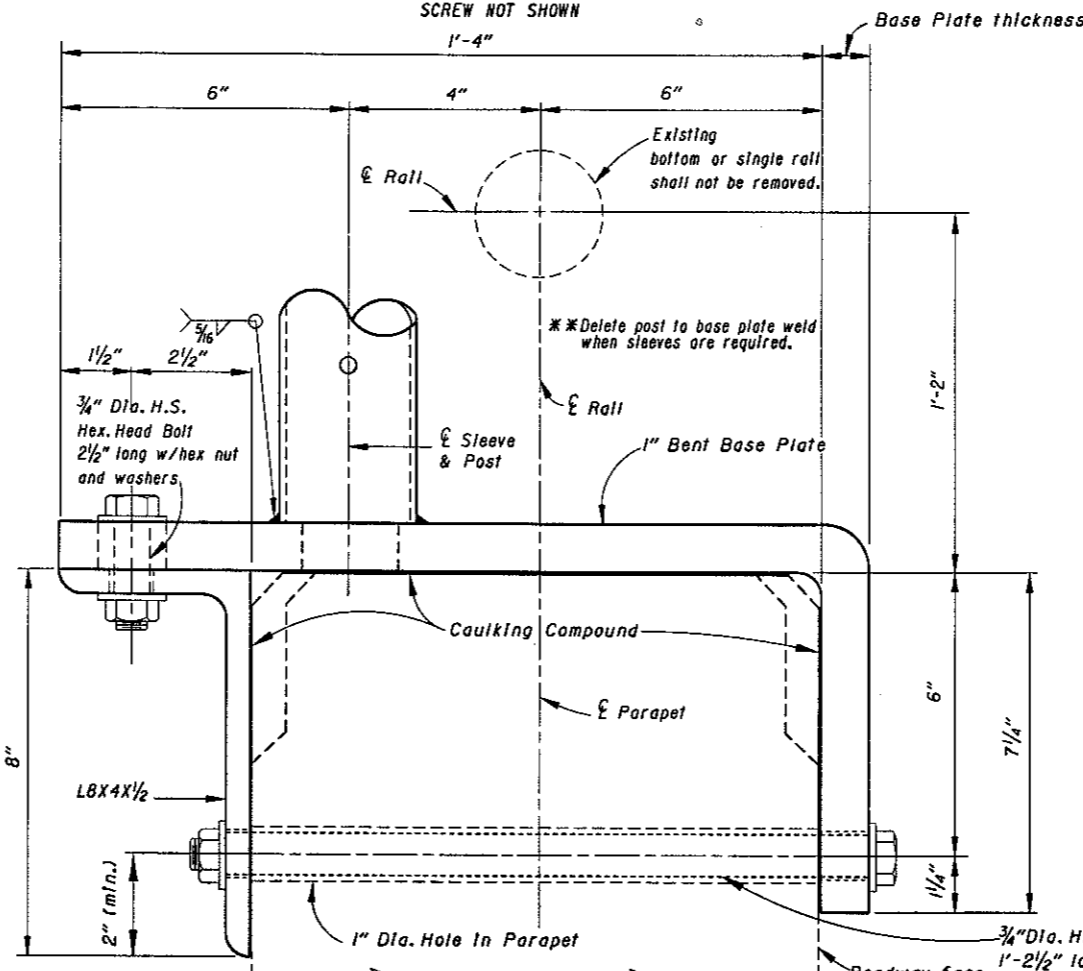
Notes: Anchors not shown. See General Notes for optional anchorage in new concrete. Post and Set Screws not shown.



END VIEW BP-3

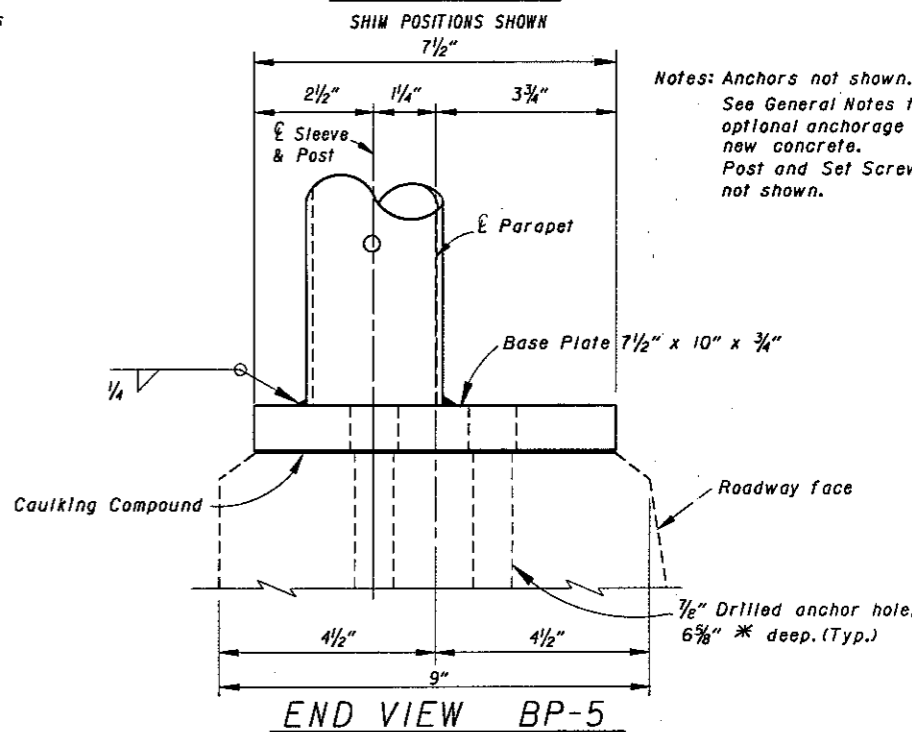
Base Plate shall be used on concrete parapet with aluminum railing as shown on Standard Drawings BR-2-82, BR-2-67, BR-1-65 with Types 1 & 2 posts, and AR-1-57 with Type B posts. Existing aluminum rail shall not be removed. Base Plate requires a sleeve. See Sleeve Details on Sheet [276].

15/16" Dia. hole in Bent Plate for 3/4" Dia. H.S. Bolts 2 1/4" long, 1 3/8" min. threaded length with washers (2 Required)
* or as recommended by the fastener manufacturer. Inserts shall be approved by the Director.



END VIEW BP-4

Base Plate shall be used on concrete parapet with aluminum railing as shown on Standard Drawing AR-1-57 with Type A and C posts. Existing aluminum rail shall not be removed. Base Plate requires a sleeve. See Sleeve Details on Sheet [276].



END VIEW BP-5

Base Plate shall be used to connect fence post to existing BR-1-67 parapet and existing or new BR-1 deflector parapet when 6'-0" high fence is specified. Base Plate requires a sleeve. See Post Sleeve Details on Sheet [276].

REVISIONS
REV. 2-1-92

STATE OF OHIO
DEPARTMENT OF TRANSPORTATION
BUREAU OF BRIDGES AND STRUCTURAL DESIGN
STANDARD

**VANDAL PROTECTION FENCE
BASE PLATES WHEN
RAILS ARE NOT REMOVED
FOR FENCE INSTALLATION**

APPROVED:	<i>[Signature]</i>	DRAWING NO.
DATE: 9-26-90	ENGINEER OF BRIDGES	VPF-1-90
PREPARED	DRAWN	CHECKED
JCR	GFJ	RLD
REVIEWED	WTF	
SHEET NO. 3		OF 6 SHEETS