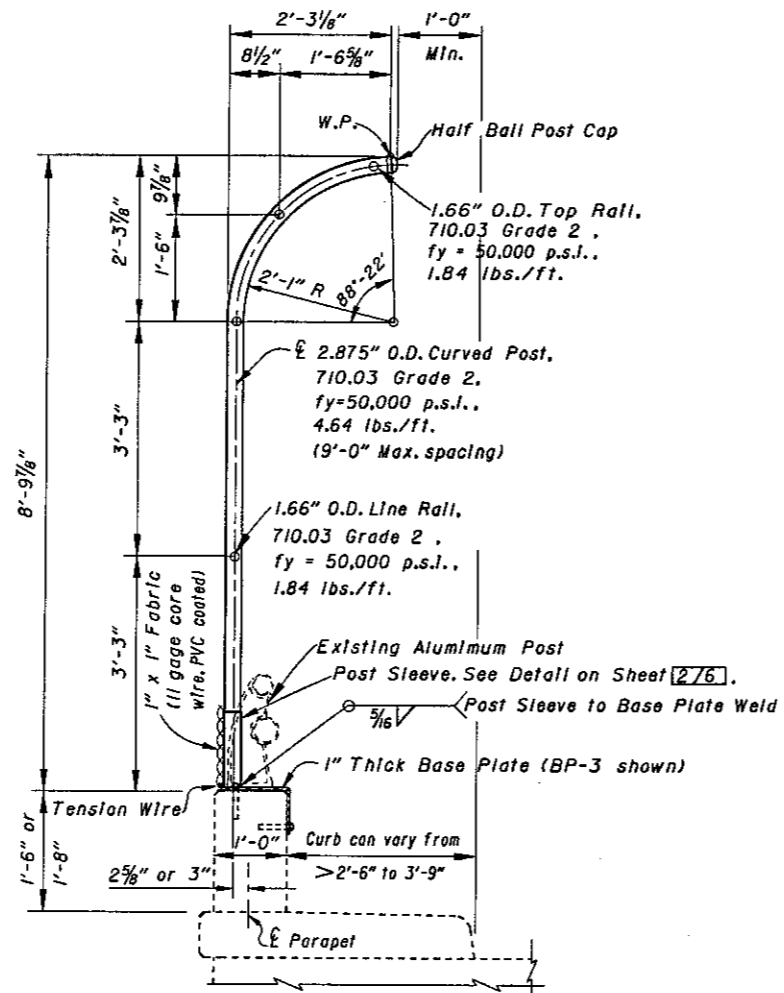


POST SECTION PS-1

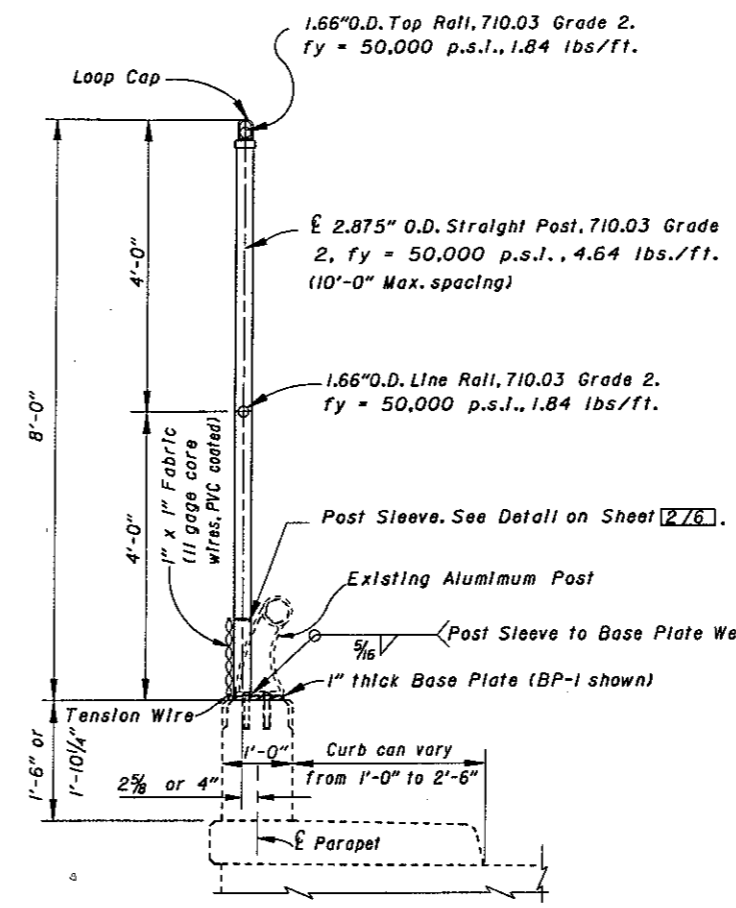
(12'-0" CURVED FENCE)

Notes: For Post Sections PS-1 and PS-2, see project plans for sidewalk, parapet and fence post dimensions. Begin fabric at Base Plate. (Maximum gap between fabric and concrete parapet = 1")



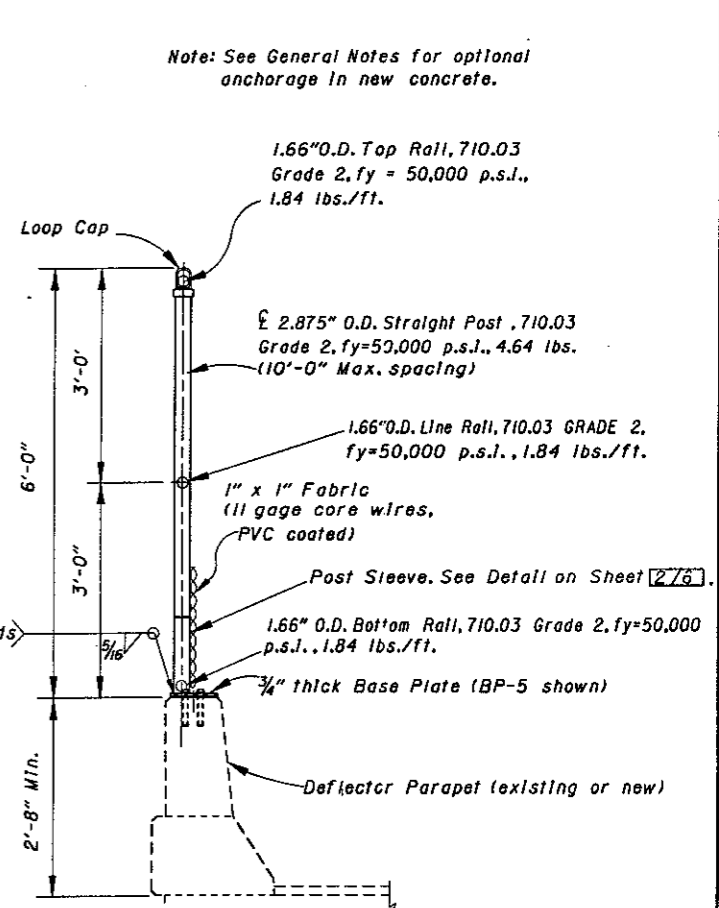
POST SECTION PS-2

(10'-0" CURVED FENCE)



POST SECTION PS-3

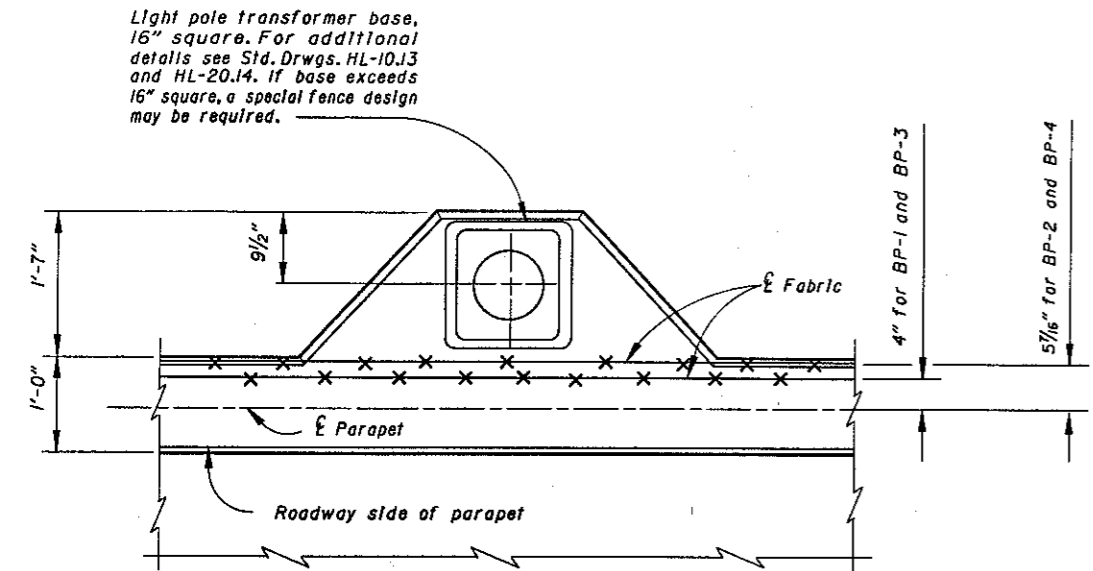
(8'-0" STRAIGHT FENCE)



POST SECTION PS-4

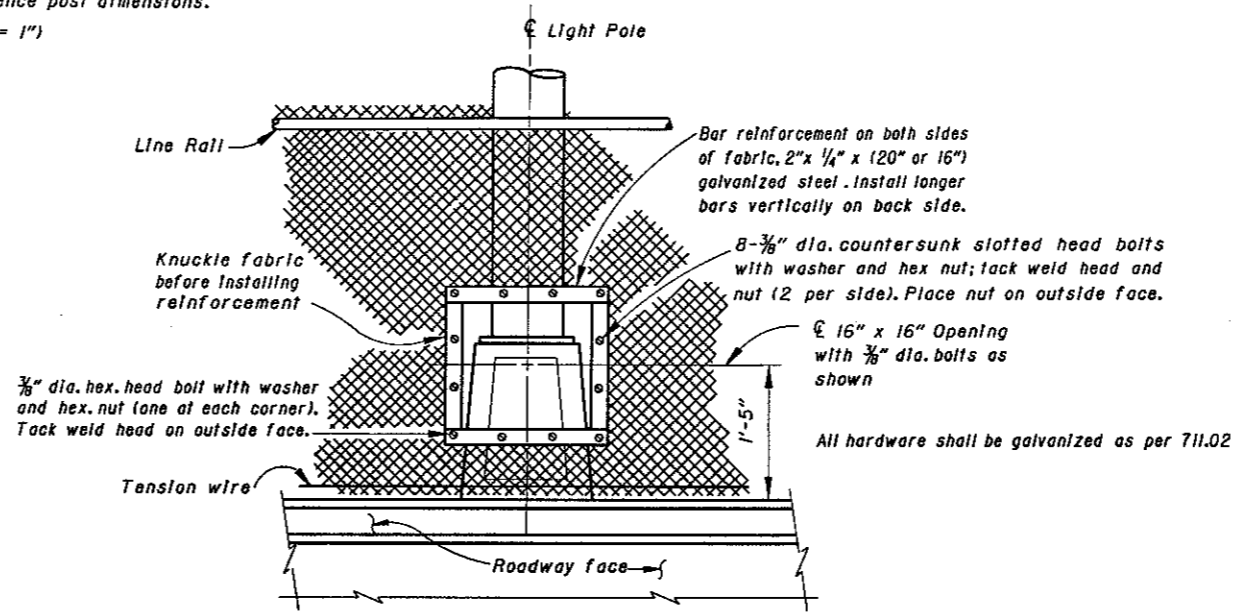
(6'-0" STRAIGHT FENCE)

Note: For new parapet without aluminum railing, install bottom rail and locate fence fabric along inside faces of posts.



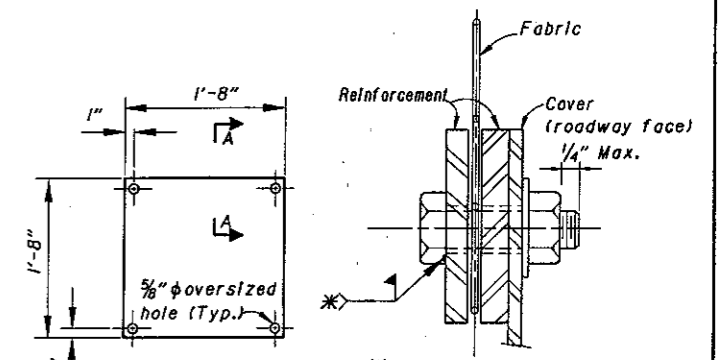
FENCE DETAILS AT TYPICAL LIGHT POLE PILASTER

(EXISTING ALUMINUM RAIL(S) NOT SHOWN)



ACCESS OPENING AT LIGHT POLE

(COVER NOT SHOWN)



SECTION A-A

(Showing corner bolt)

ACCESS COVER

REVISIONS REV. 2-1-92		STATE OF OHIO DEPARTMENT OF TRANSPORTATION BUREAU OF BRIDGES AND STRUCTURAL DESIGN	
STANDARD VANDAL PROTECTION FENCE POST SECTIONS AND DETAILS			
APPROVED: DATE: 9-26-90	 ENGINEER OF BRIDGES	DRAWING NO. VPF-1-90	SHEET NO. 4 OF 6 SHEETS
PREPARED JCR	DRAWN GFJ	CHECKED RLD	REVIEWED WTF