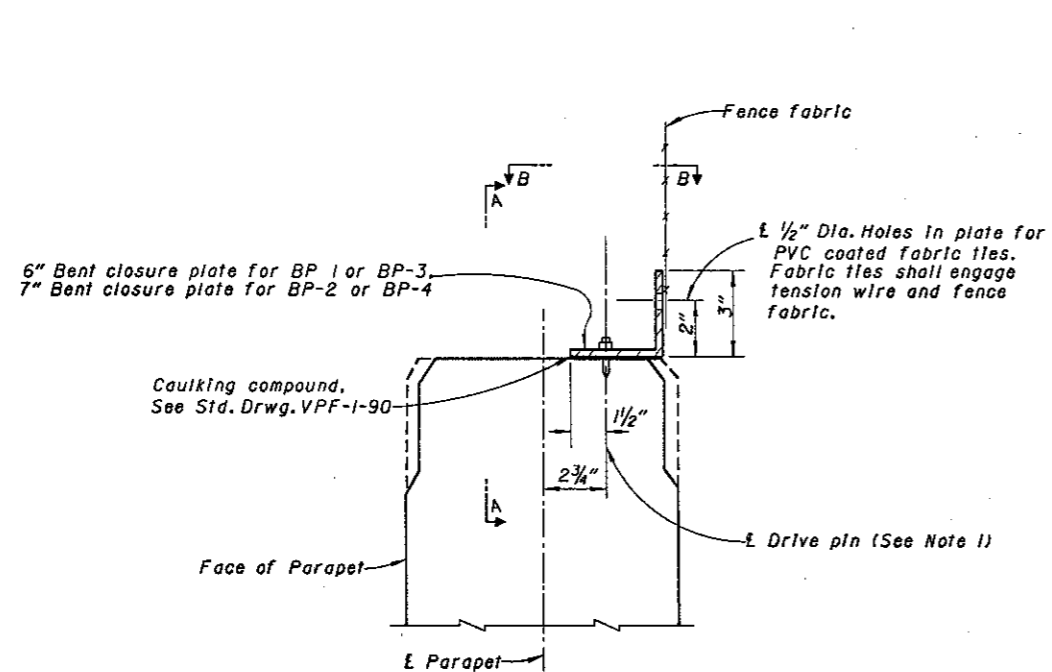


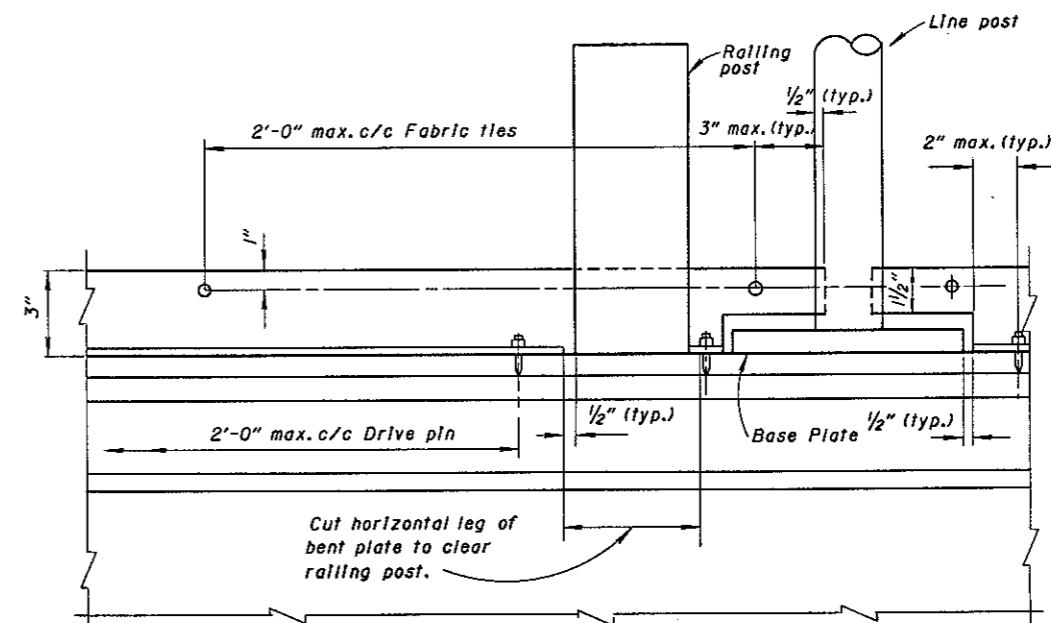
VIEW B-B
SHOWING FENCE CLOSURE PLATE PLAN

NOTES

- ① **DRIVE PINS** shall be 1/4" x 9/64" x 1/4" (Length x Shank Dia. x Head Dia.) flat head drive pins and washers, driven through closure plates into concrete. Steel shall be modified AISI 106X custom tempered to a hardness of 52-56 HRC and zinc plated in accordance with ASTM B633, SCI, Type III or ASTM B695. Powder actuated Fasteners shall be Hilti Fastening systems, ITW Ramset/ Redhead or approved equal.
- ② **STAINLESS STEEL BENT CLOSURE PLATES**, 6" (with base plates BP-1 or BP-3) or 7" (with base plates BP-2 or BP-4) shall be 10 gage ASTM A167, Type 304, mill finish.



SECTION THRU PARAPET SHOWING
FENCE CLOSURE PLATE ELEVATION



VIEW A-A

REVISIONS SHEET 6 ADDED 2-1-92	STATE OF OHIO DEPARTMENT OF TRANSPORTATION BUREAU OF BRIDGES AND STRUCTURAL DESIGN STANDARD			
	VANDAL PROTECTION FENCE FENCE CLOSURE PLATE DETAILS			
APPROVED: REV-2-1-92	DATE: 9-26-90		ENGINEER OF BRIDGES	DRAWING NO. VPF-1-90
PREPARED JCR	DRAWN GFJ	CHECKED RLD	REVIEWED WTF	SHEET NO. 6 OF 6 SHEETS