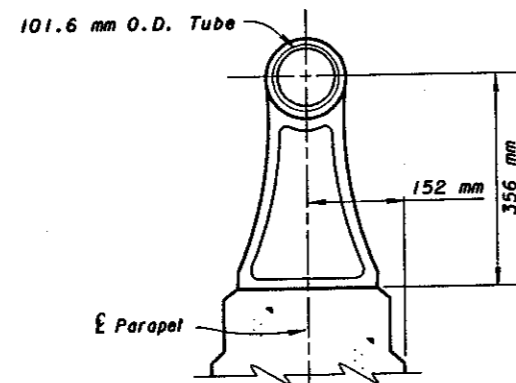


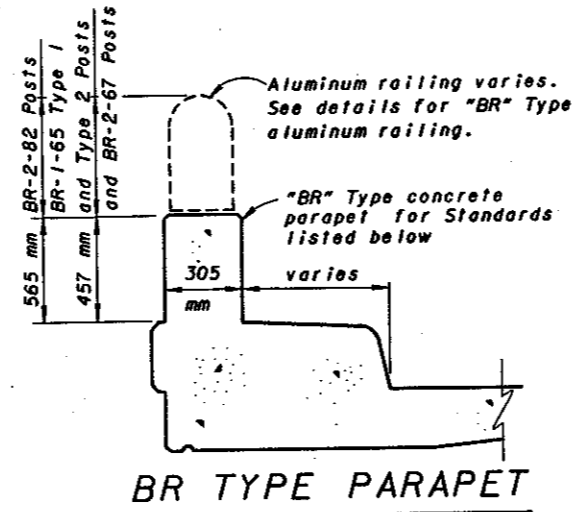
**AR TYPE PARAPET**

See Standard Drawing AR-1-57. Use curved fence or straight 2450 mm high fence as determined by curb or sidewalk width and Base Plates BP-1, BP-2, BP-3 or BP-4.



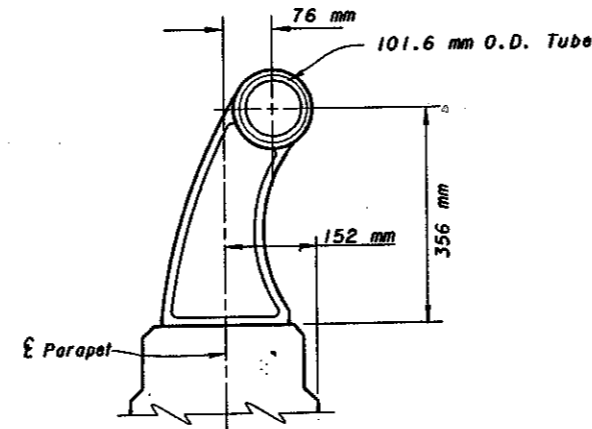
Aluminum railing for Standard Drawing AR-1-57 with Type A Posts

**RAILING TYPES**



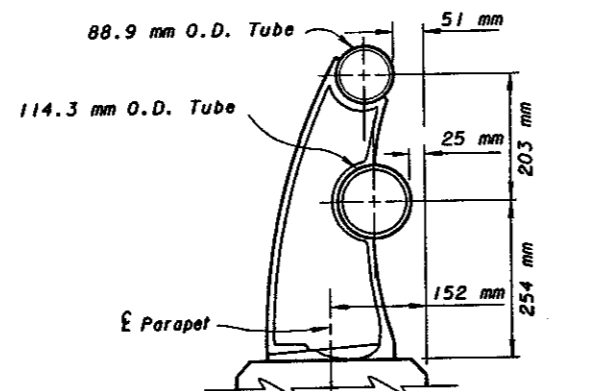
**BR TYPE PARAPET**

See Standard Drawings BR-2-82, BR-2-67 and BR-1-65. Use curved fence or straight 2450 mm high fence as determined by curb or sidewalk width and Base Plate BP-1.



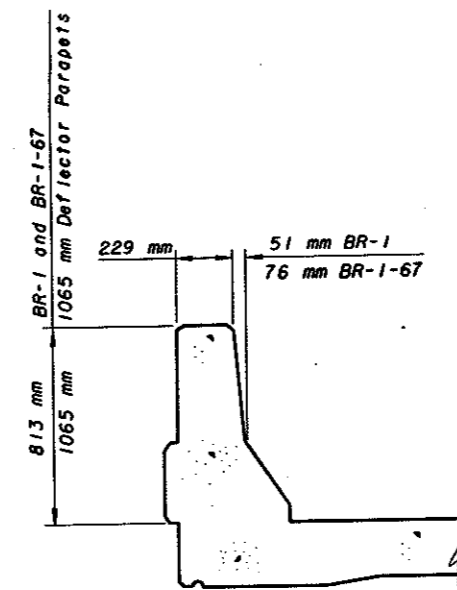
Aluminum railing for Standard Drawing AR-1-57 with Type B Posts

**AR TYPE ALUMINUM RAILING**



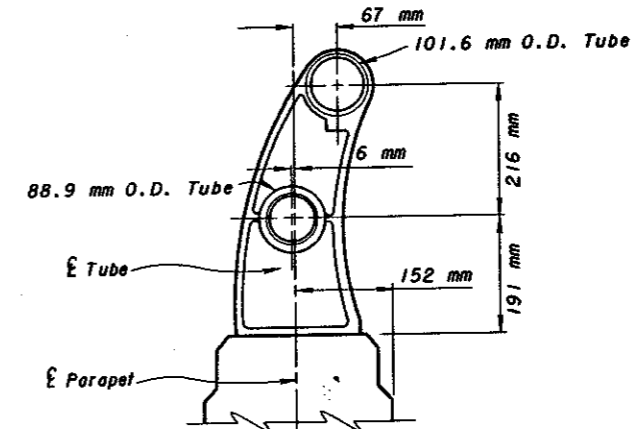
Aluminum railing for Standard Drawings BR-2-82, BR-2-67 and BR-1-65 with Type 2 Posts

**BR TYPE ALUMINUM RAILING**

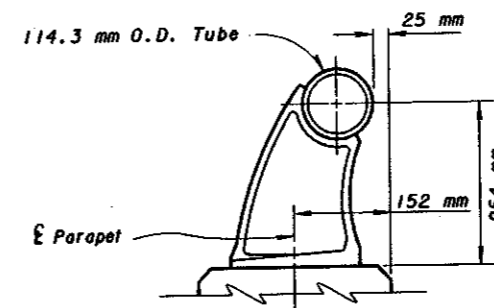


**DEFLECTOR PARAPET**

See Standard Drawings BR-1 & BR-1-67 and 1065 mm Deflector Parapet. Use straight 1850 mm high fence and Base Plate BP-5.



Aluminum railing for Standard Drawing AR-1-57 with Type C Posts



Aluminum railing for Standard Drawing BR-1-65 with Type 1 Posts

Base plate threaded anchors are designed for a minimum concrete strength of  $f_c' = 28$  MPa. Special designs required for concrete strengths less than this.