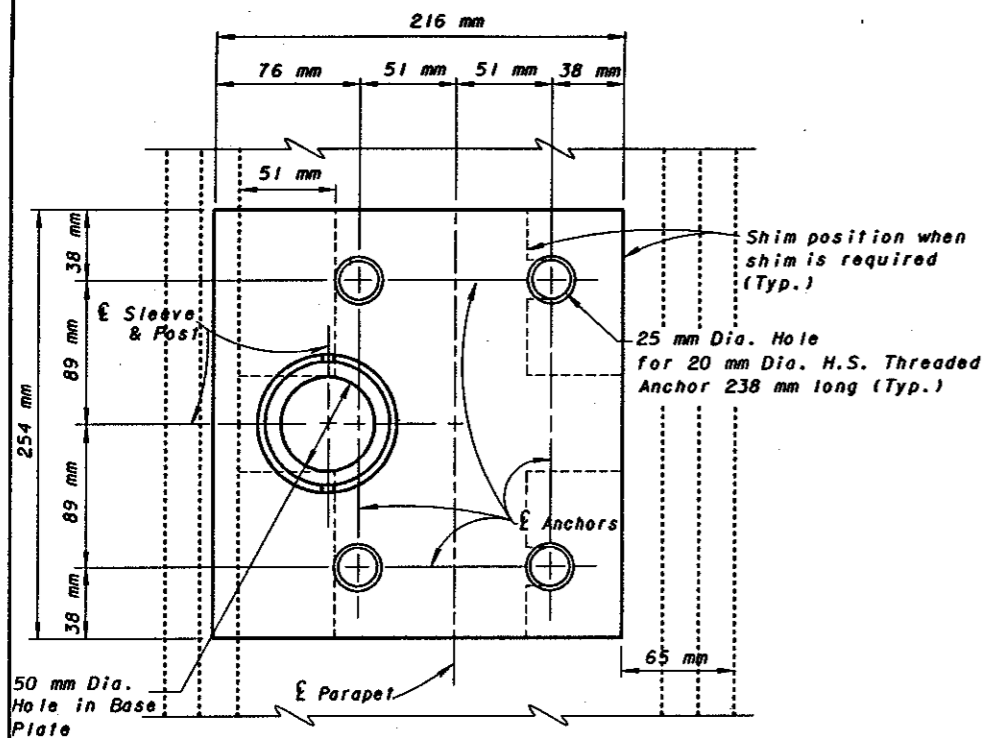
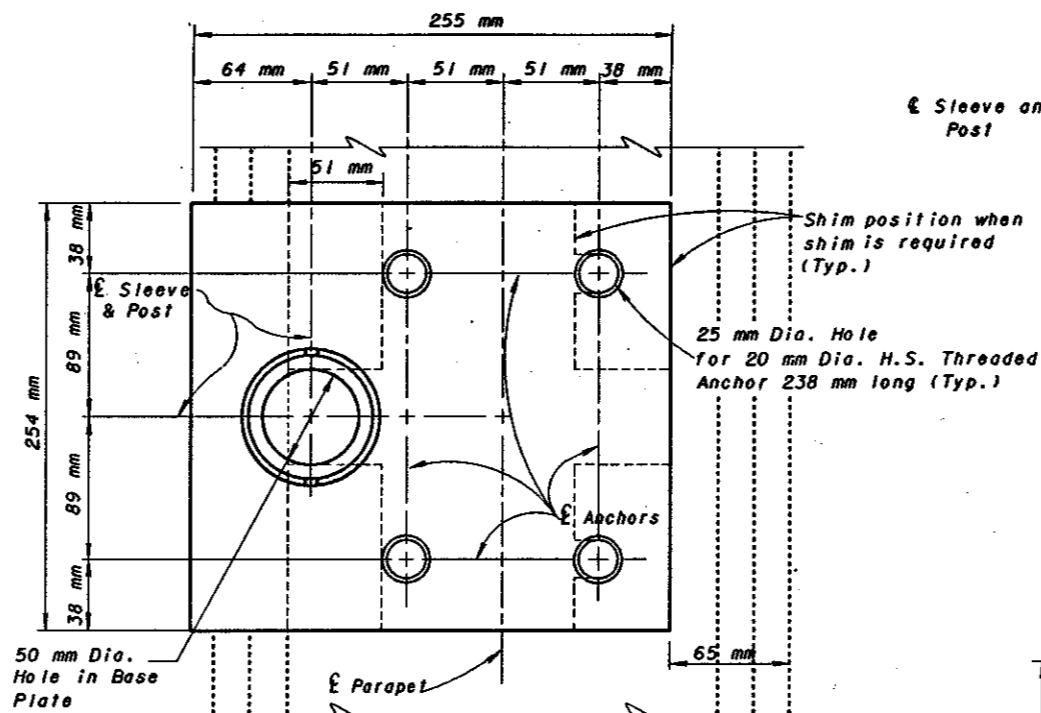


RETROFIT BASE PLATES FOR FENCE POSTS



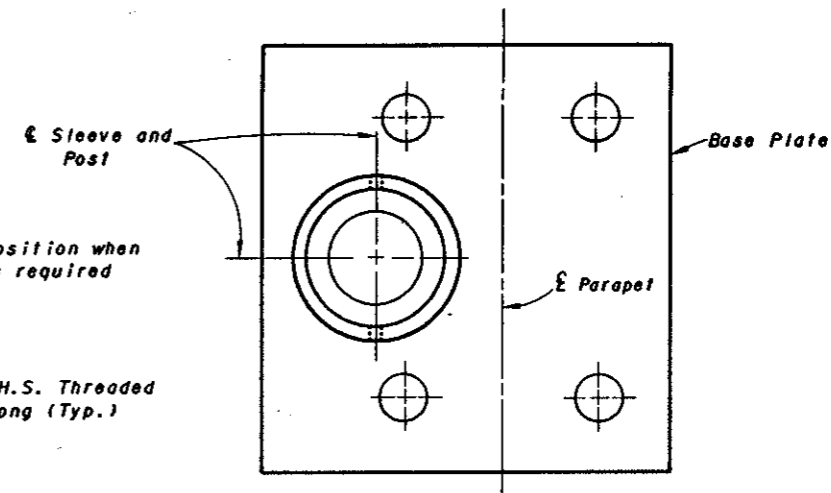
PLAN BP-1

SHIM POSITIONS ARE SHOWN, POST AND SET SCREWS NOT SHOWN



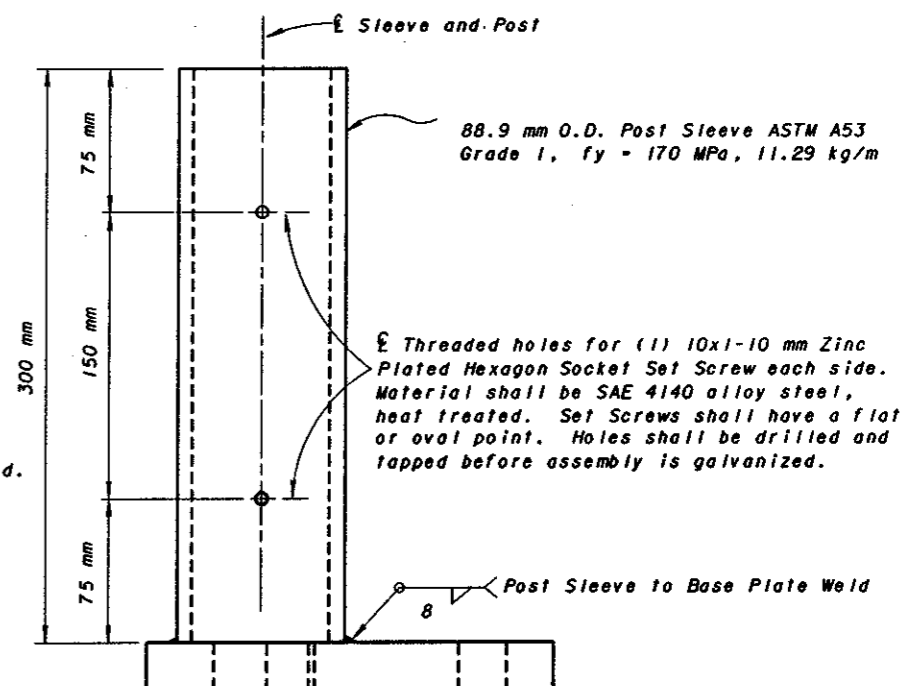
PLAN BP-2

SHIM POSITIONS ARE SHOWN, POST AND SET SCREWS NOT SHOWN



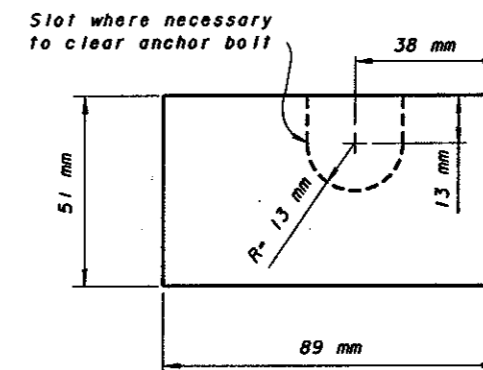
POST SLEEVE PLAN

POST AND SET SCREWS NOT SHOWN



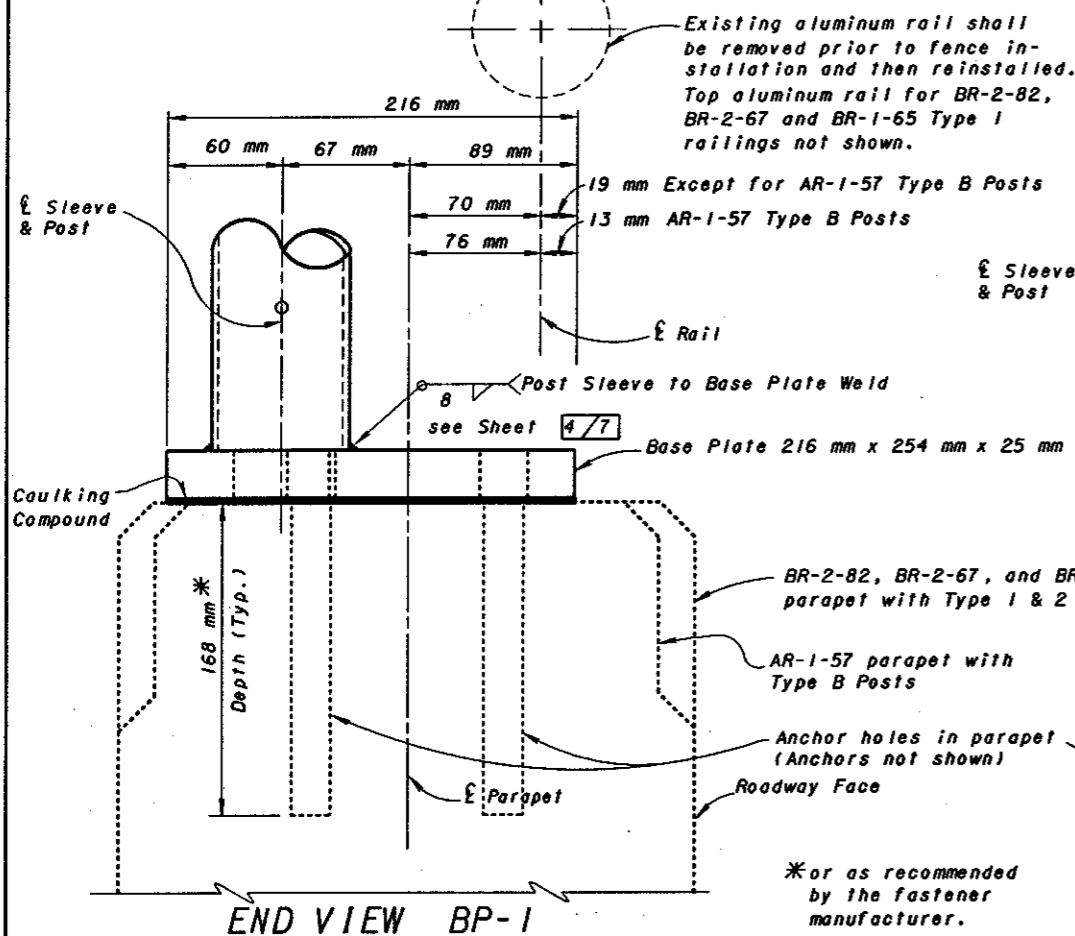
POST SLEEVE ELEVATION

POST AND SET SCREWS NOT SHOWN

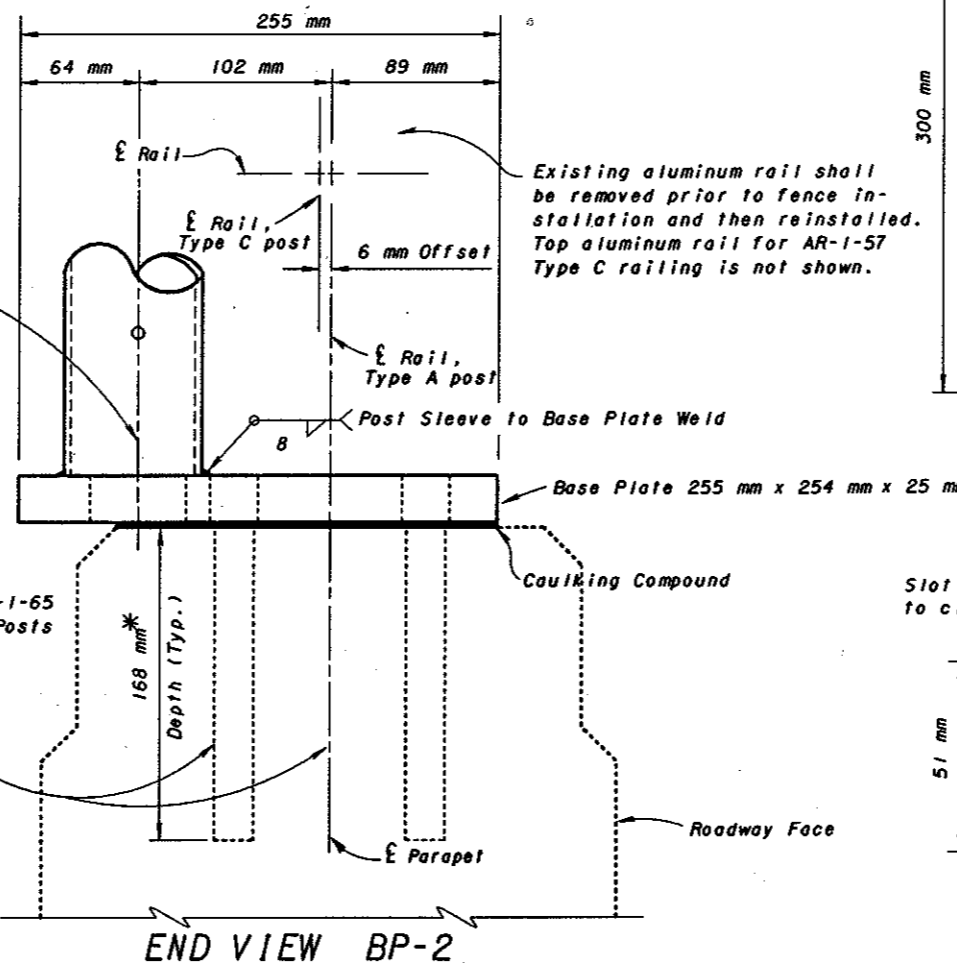


BASE PLATE SHIMS

2 mm, 3 mm and 6 mm thick



END VIEW BP-1



END VIEW BP-2

Fence shall be installed by removing and reinstalling the aluminum rail(s). Base Plate shall be used on parapets having aluminum railing as shown on Standard Drawings BR-2-82, BR-2-67, BR-1-65 with Types 1 & 2 Posts and AR-1-57 with Type B Posts. Base Plate requires a sleeve. See Post Sleeve Detail on this sheet.

Fence shall be installed by removing and reinstalling the aluminum rail(s). Base Plate shall be used on parapets having aluminum railing as shown on Standard Drawing AR-1-57 with Types A and C posts. Base Plate requires a sleeve. See Post Sleeve Details on this sheet.

*or as recommended by the fastener manufacturer.

DESIGN AGENCY: BUREAU OF BRIDGES AND STRUCTURAL DESIGN
 STATE OF OHIO DEPARTMENT OF TRANSPORTATION
 REVIEWED: WFF/LMN
 CHECKED: RLD
 PREPARED: JCR
 DRAWN: GFJ/RJS
 REVISED: VPF-1-90M
 STANDARD DRAWING: VANDAL PROTECTION FENCE RETROFIT BASE PLATES WHEN RAILS ARE REMOVED AND REINSTALLED
 DATE: 5-20-95
 ENGINEER OF BRIDGES: [Signature]