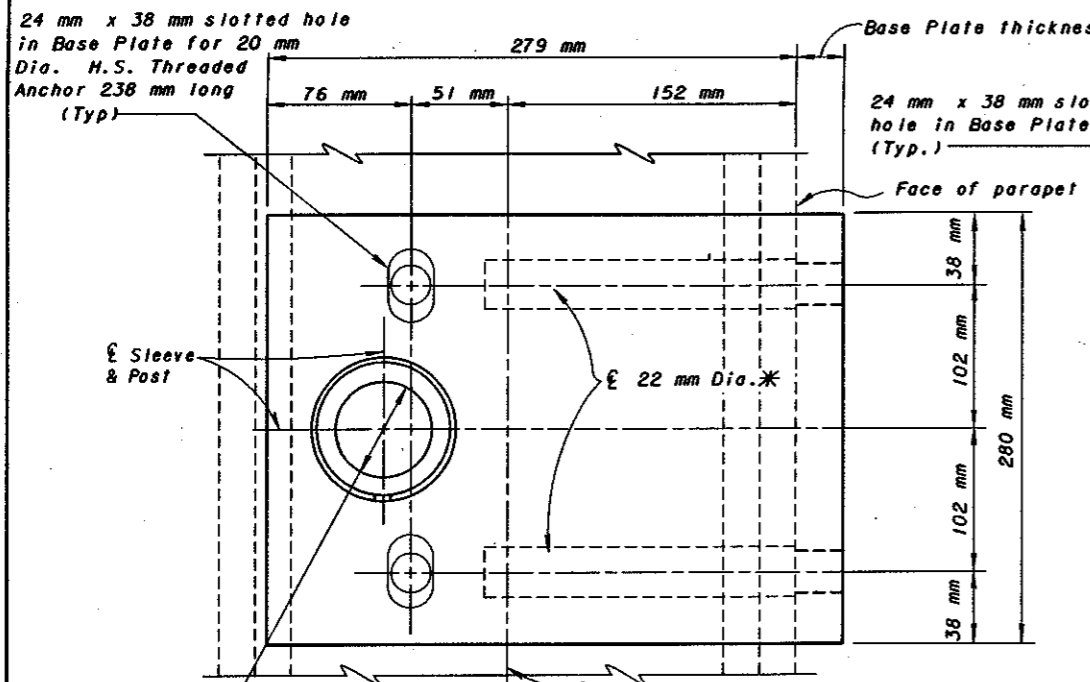


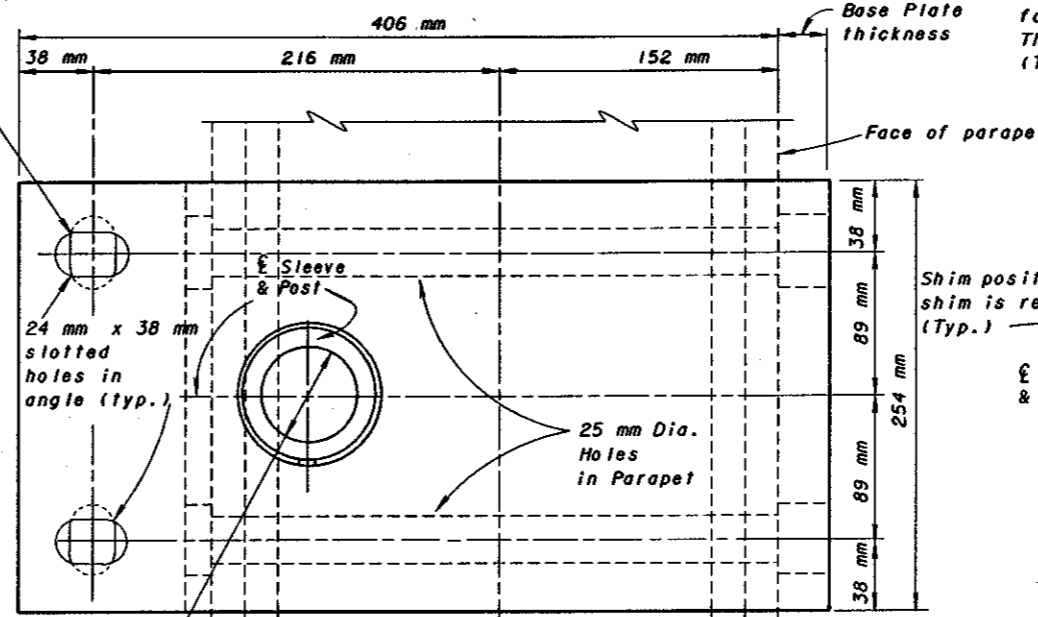
RETROFIT BASE PLATES FOR FENCE POSTS



PLAN BP-3

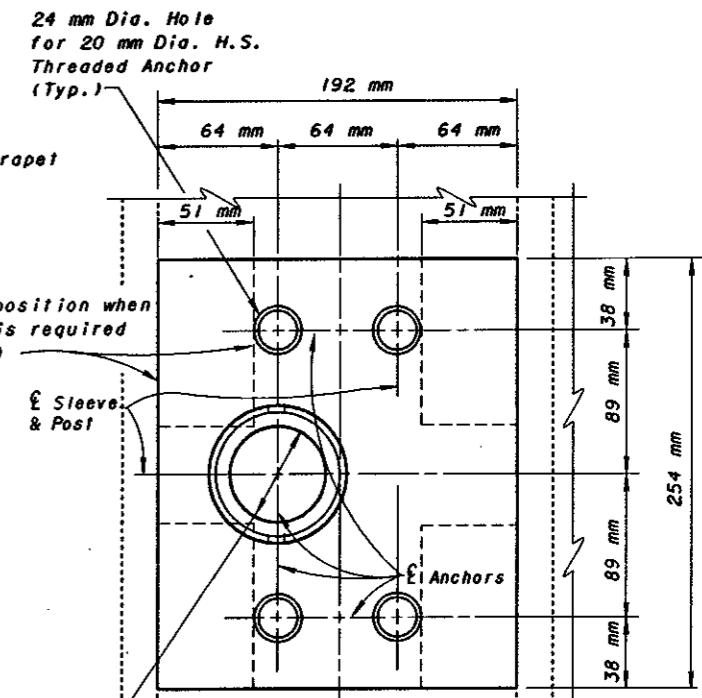
SHIM POTIONS, POST AND SET SCREW NOT SHOWN

Note: Top rail for BR-1-65 Railing with Type 2 posts not shown.



PLAN BP-4

SHIM POTIONS, POST AND SET SCREW NOT SHOWN



PLAN BP-5

SHIM POSITIONS SHOWN

24 mm x 38 mm slotted hole in Base Plate for 20 mm Dia. H.S. Threaded Anchor 238 mm long (Typ.)

Base Plate thickness

24 mm x 38 mm slotted hole in Base Plate (Typ.)

Face of parapet

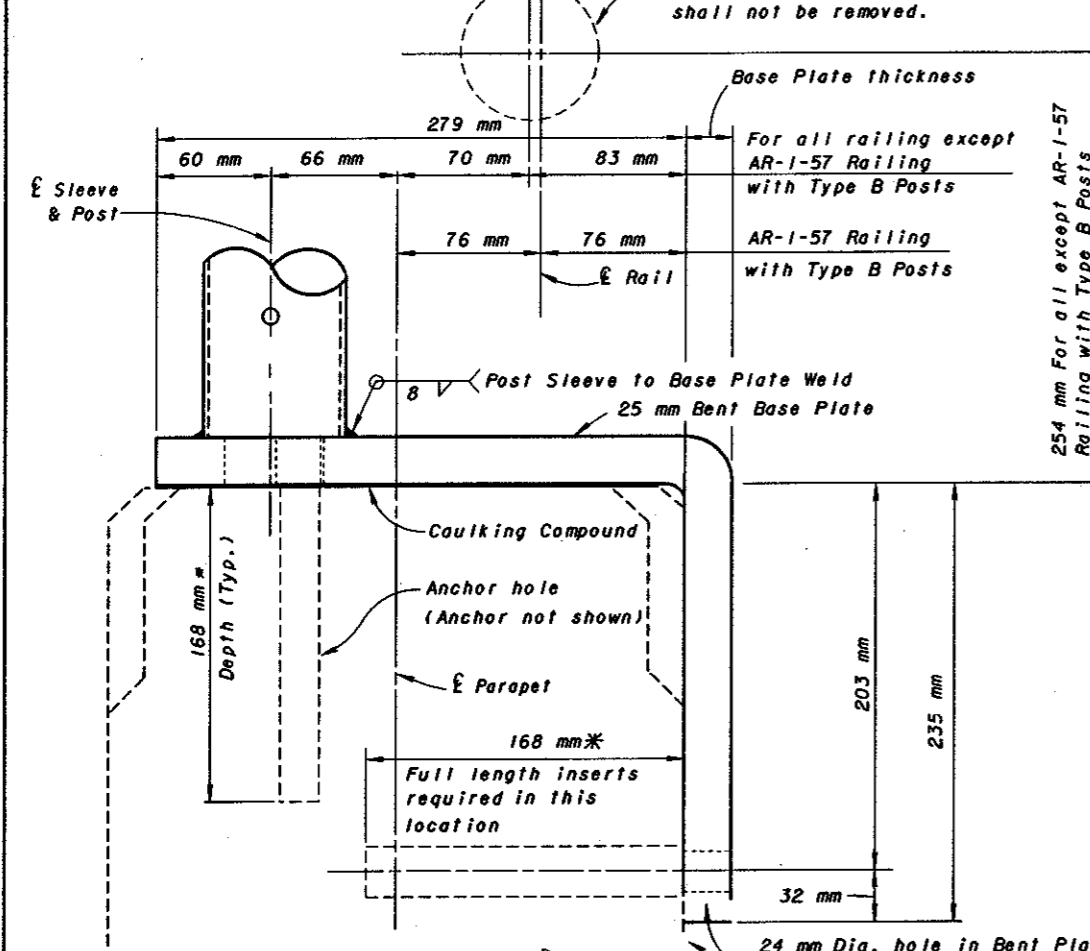
50 mm Dia. Hole in Base Plate

50 mm Dia. Hole in Base Plate

50 mm Dia. Hole in Base Plate

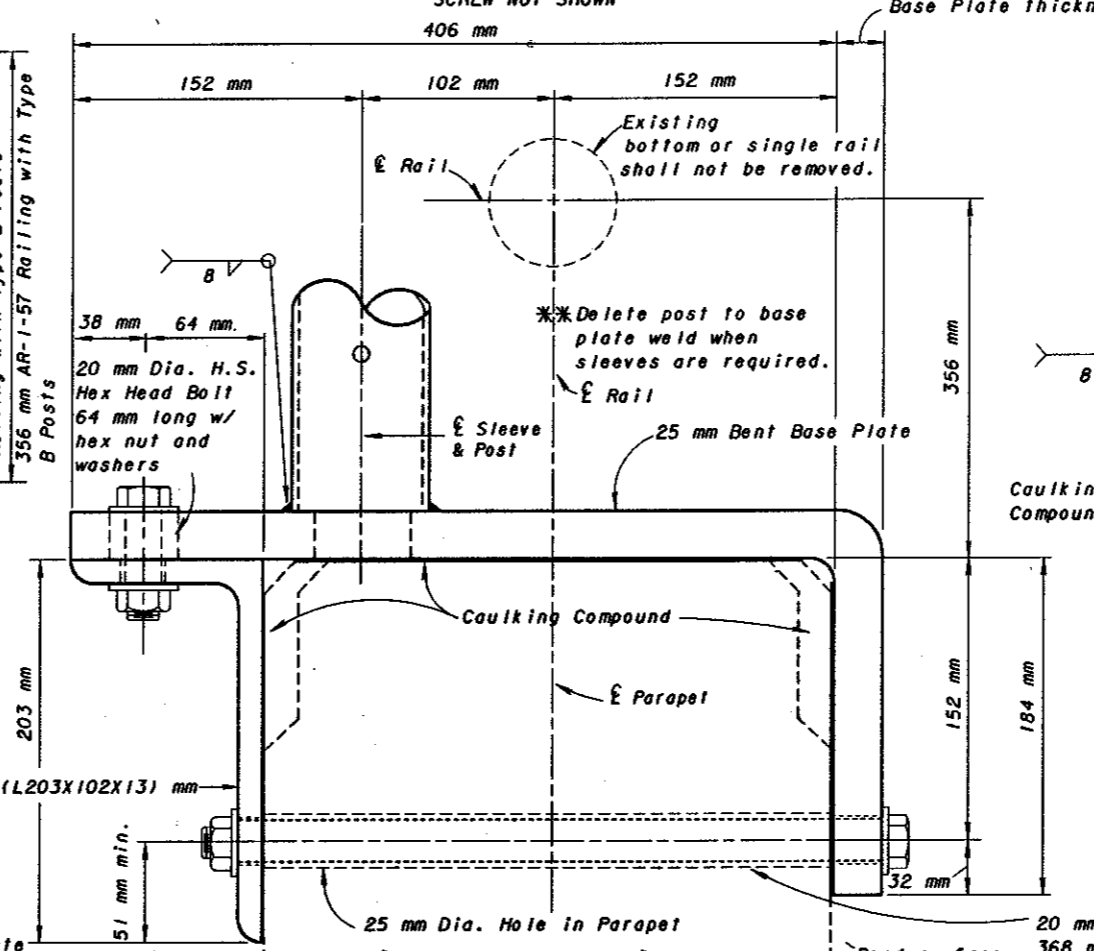
* Holes for 20 mm Dia. Vinylster Flush Inserts (Inserts, Bolts and Washers & Rail not shown)

Existing bottom or single rail shall not be removed.



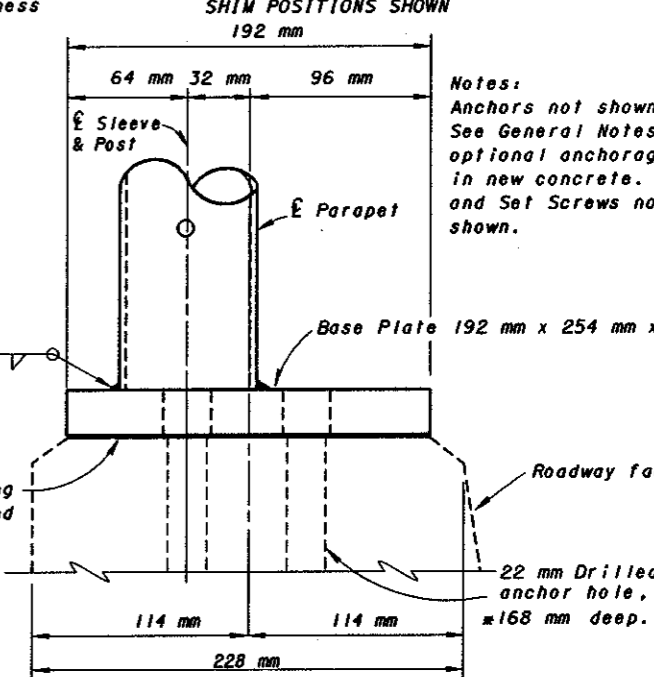
END VIEW BP-3

Base Plate shall be used on concrete parapet with aluminum railing as shown on Standard Drawings BR-2-82, BR-2-67, BR-1-65 with Types 1 & 2 posts, and AR-1-57 with Type B posts. Existing aluminum rail shall not be removed. Base Plate requires a sleeve. See Sleeve Details on Sheet 377.



END VIEW BP-4

Base Plate shall be used on concrete parapet with aluminum railing as shown on Standard Drawing AR-1-57 with Type A and C posts. Existing aluminum rail shall not be removed. Base Plate requires a sleeve. See Sleeve Details on Sheet 377.



END VIEW BP-5

Base Plate shall be used to connect fence post to existing BR-1-67 parapet and existing or new BR-1 deflector parapet when 1850 mm fence is specified. Base Plate requires a sleeve. See Post Sleeve Details on Sheet 377.

* or as recommended by the fastener manufacturer. Inserts shall be approved by the Director.

DESIGN AGENCY	BUREAU OF BRIDGES AND STRUCTURAL DESIGN
STATE OF ORIO DEPARTMENT OF TRANSPORTATION	DATE
CHECKED	DRAWING NO.
REVISIONS	DRAWN
PREPARED	VPP-1-90M
STANDARD DRAWING	RAILS ARE NOT REMOVED
VANDAL PROTECTION FENCE	BASE PLATES WHEN
4 / 7	