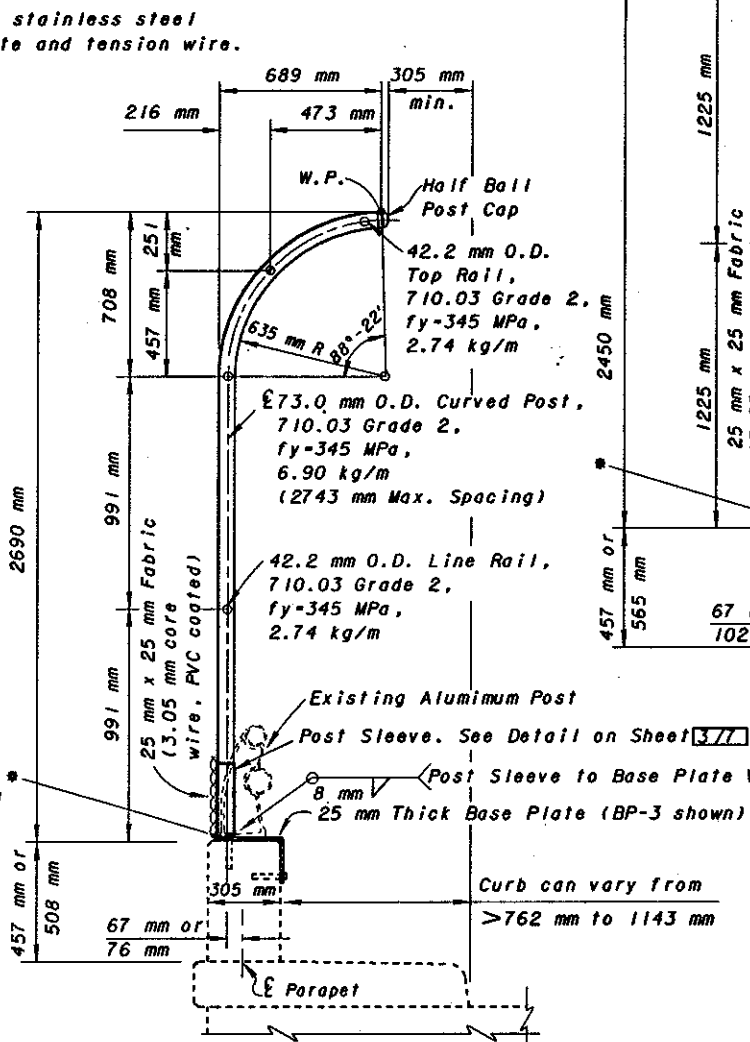
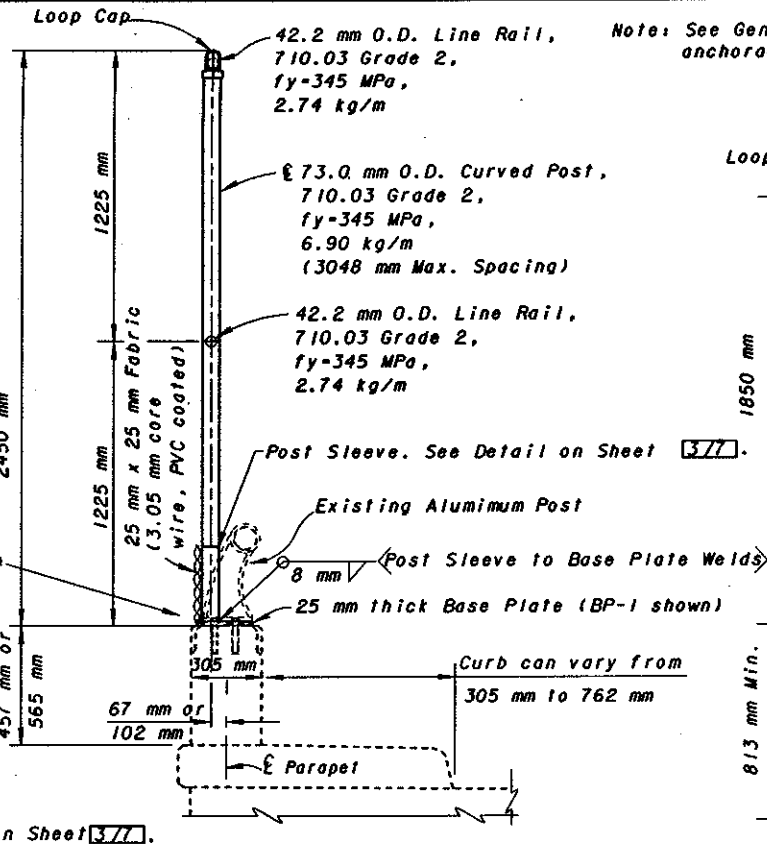


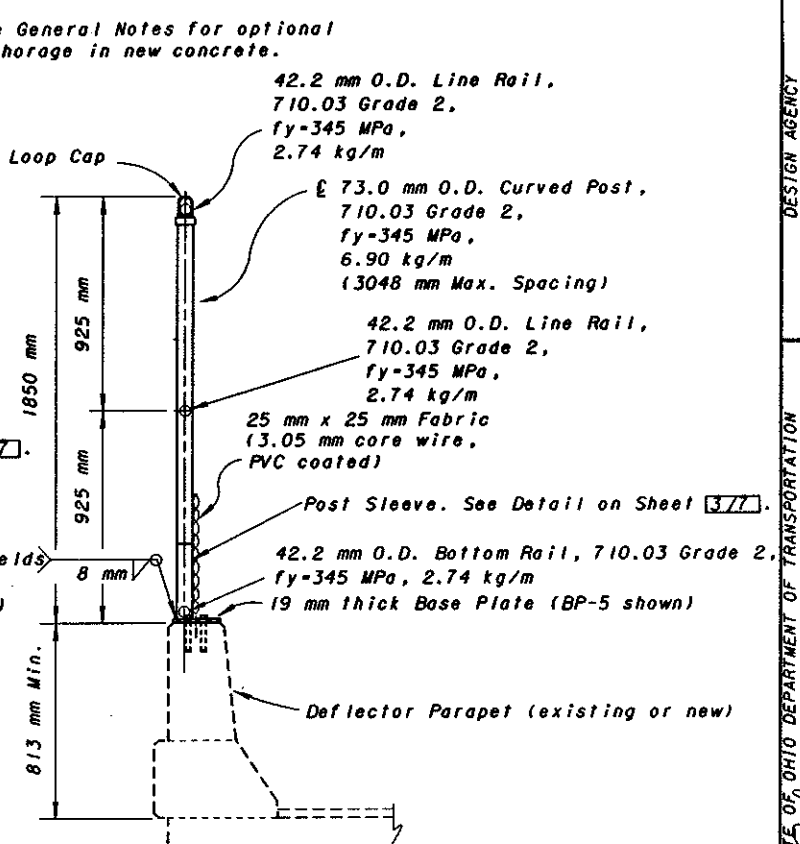
**POST SECTION PS-1**  
(3650 mm CURVED FENCE)



**POST SECTION PS-2**  
(3050 mm CURVED FENCE)

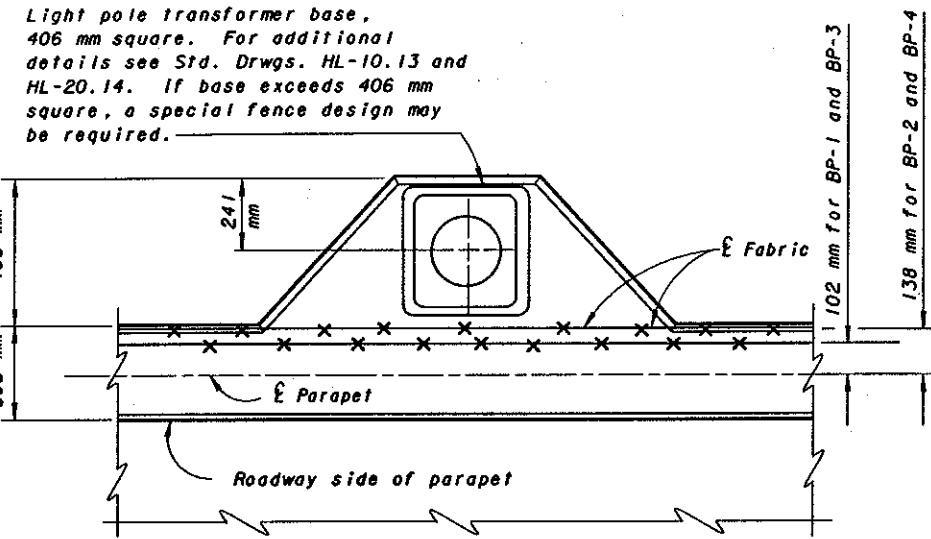


**POST SECTION PS-3**  
(2450 mm STRAIGHT FENCE)

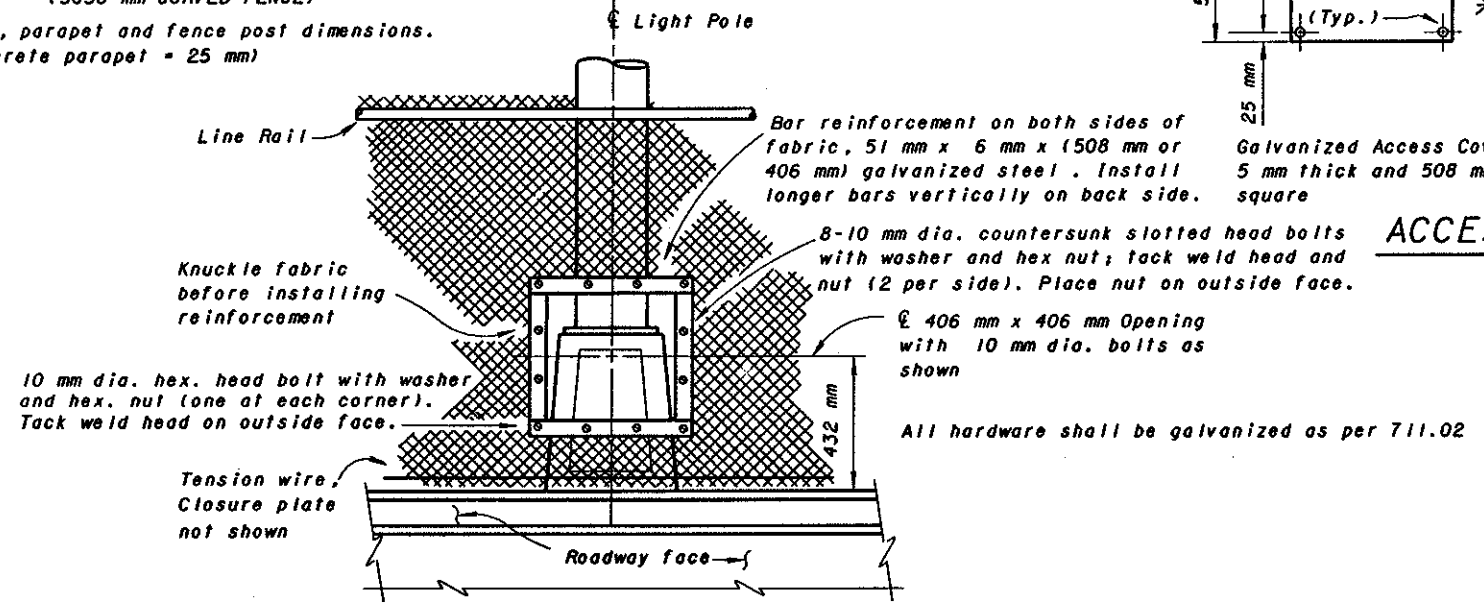


**POST SECTION PS-4**  
(1850 mm STRAIGHT FENCE)

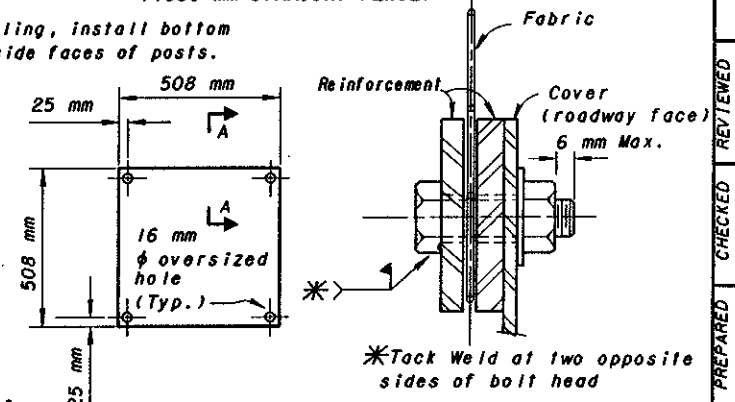
Notes: For Post Sections PS-1 and PS-2, see project plans for sidewalk, parapet and fence post dimensions. Begin fabric at Base Plate. (Maximum gap between fabric and concrete parapet = 25 mm)



**FENCE DETAILS AT TYPICAL LIGHT POLE PILASTER**  
(EXISTING ALUMINUM RAIL(S) NOT SHOWN)



**ACCESS OPENING AT LIGHT POLE**  
(COVER NOT SHOWN)



**SECTION A-A**  
**ACCESS COVER**  
(Showing corner bolt)

Note: See General Notes for optional anchorage in new concrete.

Note: For new parapet without aluminum railing, install bottom rail and locate fence fabric along inside faces of posts.

All hardware shall be galvanized as per 711.02

DESIGN AGENCY: BUREAU OF BRIDGES AND STRUCTURAL DESIGN  
 STATE OF OHIO DEPARTMENT OF TRANSPORTATION  
 REVIEWED: WFL/LMN  
 CHECKED: RLD  
 PREPARED: JCR  
 REVISED: GFJ/RJS  
 STANDARD DRAWING: VANDAL PROTECTION FENCE POST SECTIONS AND DETAILS  
 DATE: 3-20-95  
 ENGINEER OF BRIDGES: [Signature]