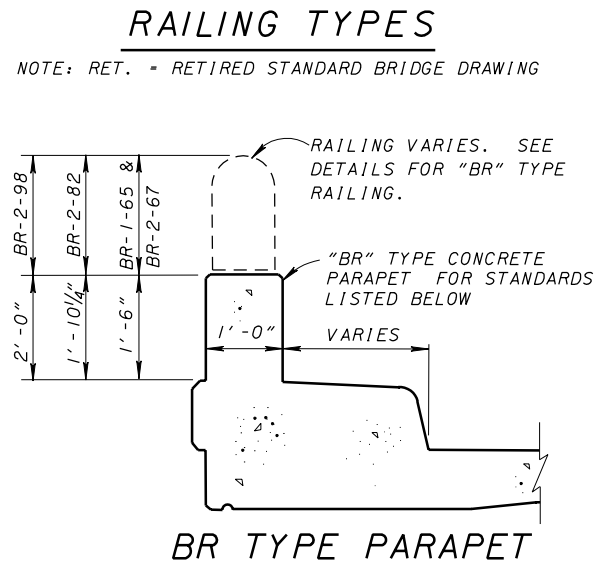


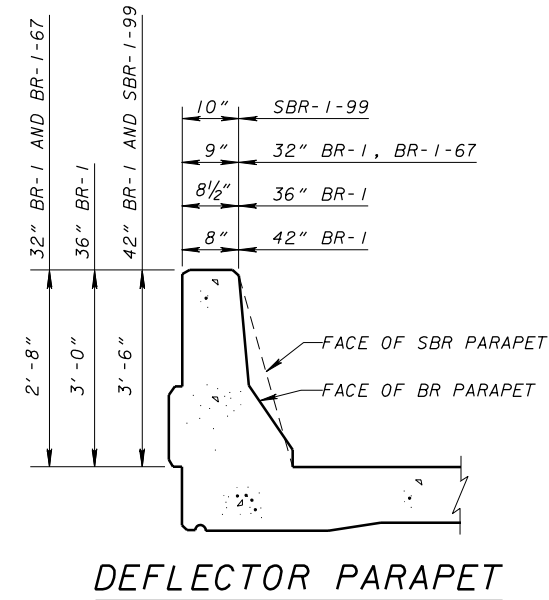
**AR TYPE PARAPET**

SEE STANDARD BRIDGE DRAWING AR-1-57 (RET.). USE CURVED FENCE OR STRAIGHT 8'-0" HIGH FENCE, AS DETERMINED BY CURB OR SIDEWALK WIDTH, AND BASE PLATES BP-1, BP-2, BP-3 OR BP-4.



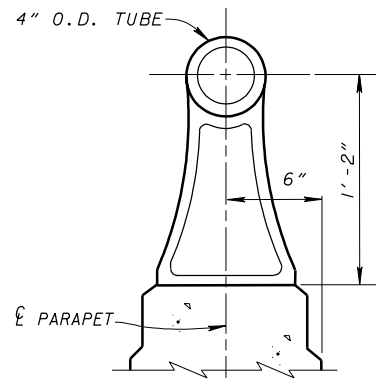
**BR TYPE PARAPET**

SEE STANDARD BRIDGE DRAWINGS BR-2-98, BR-2-82 (RET.), BR-2-67 (RET.) AND BR-1-65 (RET.). USE CURVED FENCE OR STRAIGHT 8'-0" HIGH FENCE, AS DETERMINED BY CURB OR SIDEWALK WIDTH, AND BASE PLATES BP-1 OR BP-3.

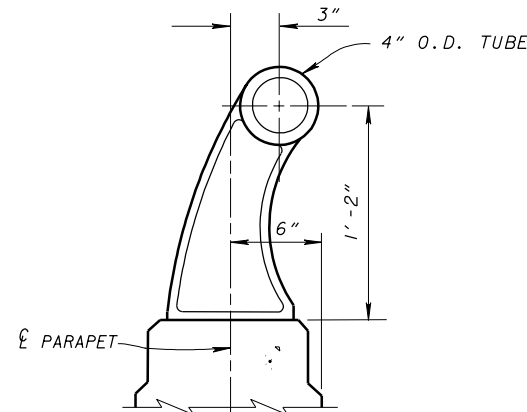


**DEFLECTOR PARAPET**

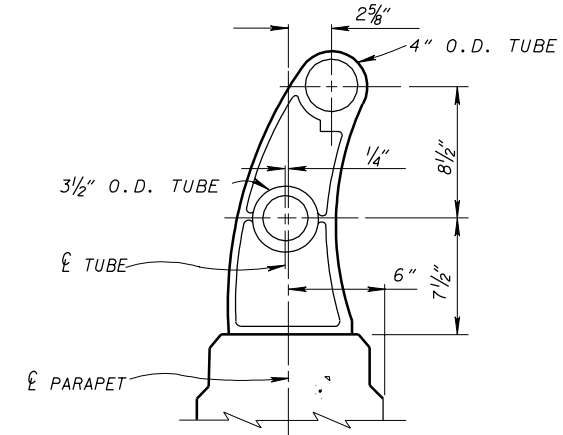
SEE STANDARD BRIDGE DRAWINGS BR-1, BR-1-67 (RET.) & SBR-1-99. USE STRAIGHT 6'-0" HIGH FENCE AND BASE PLATE BP-5.



ALUMINUM RAILING FOR STANDARD BRIDGE DRAWING AR-1-57 (RET.) WITH TYPE A POSTS

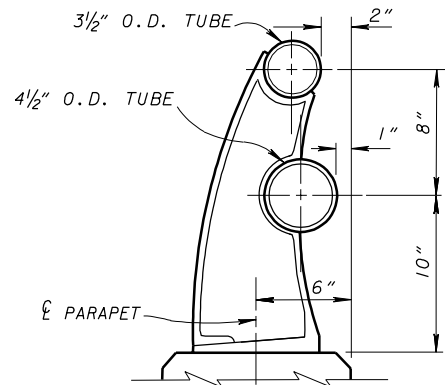


ALUMINUM RAILING FOR STANDARD BRIDGE DRAWING AR-1-57 (RET.) WITH TYPE B POSTS

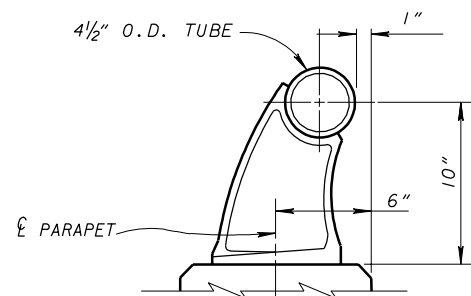


ALUMINUM RAILING FOR STANDARD BRIDGE DRAWING AR-1-57 (RET.) WITH TYPE C POSTS

**AR TYPE ALUMINUM RAILING**

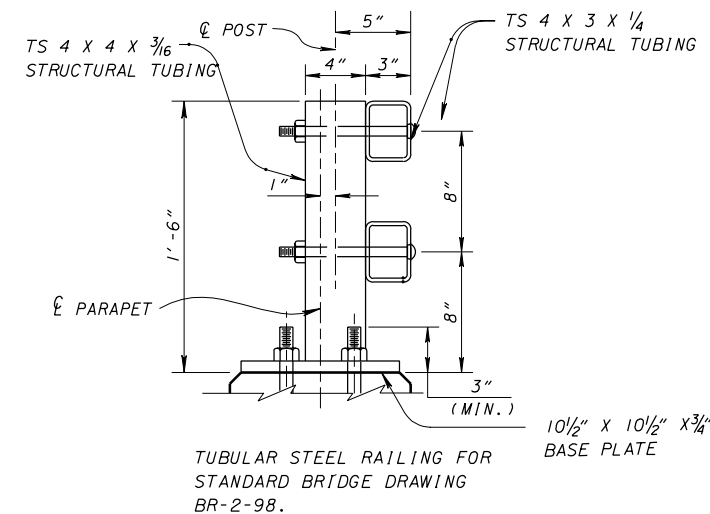


ALUMINUM RAILING FOR STANDARD BRIDGE DRAWING BR-2-82 (RET.), BR-2-67 (RET.) AND BR-1-65 (RET.) WITH TYPE 2 POSTS



ALUMINUM RAILING FOR STANDARD BRIDGE DRAWING BR-1-65 (RET.) WITH TYPE 1 POSTS

**BR TYPE RAILING**



TUBULAR STEEL RAILING FOR STANDARD BRIDGE DRAWING BR-2-98.