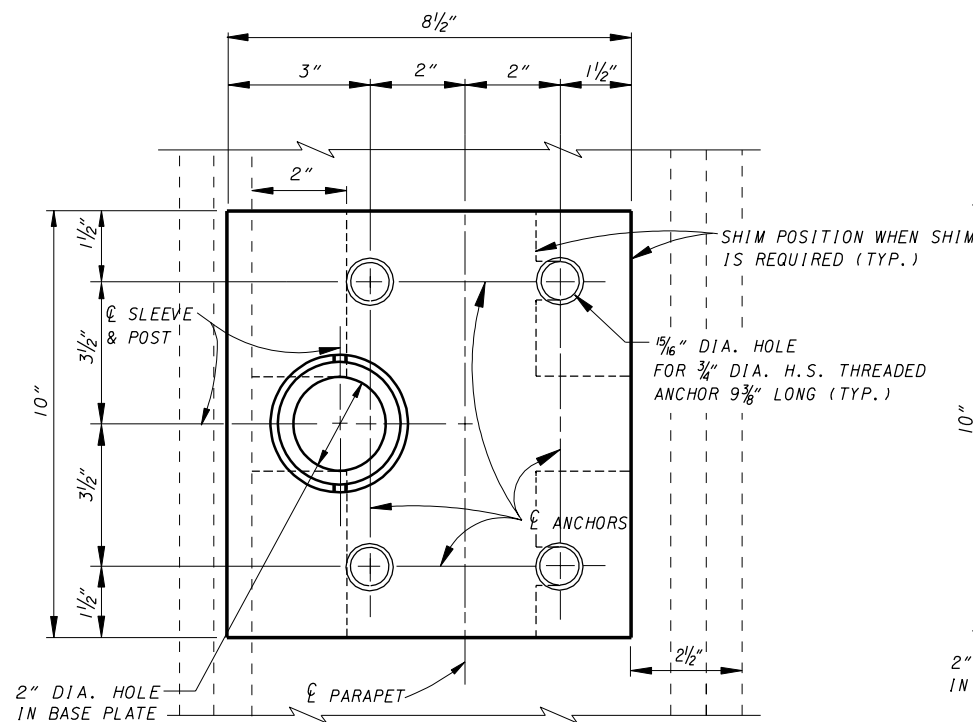
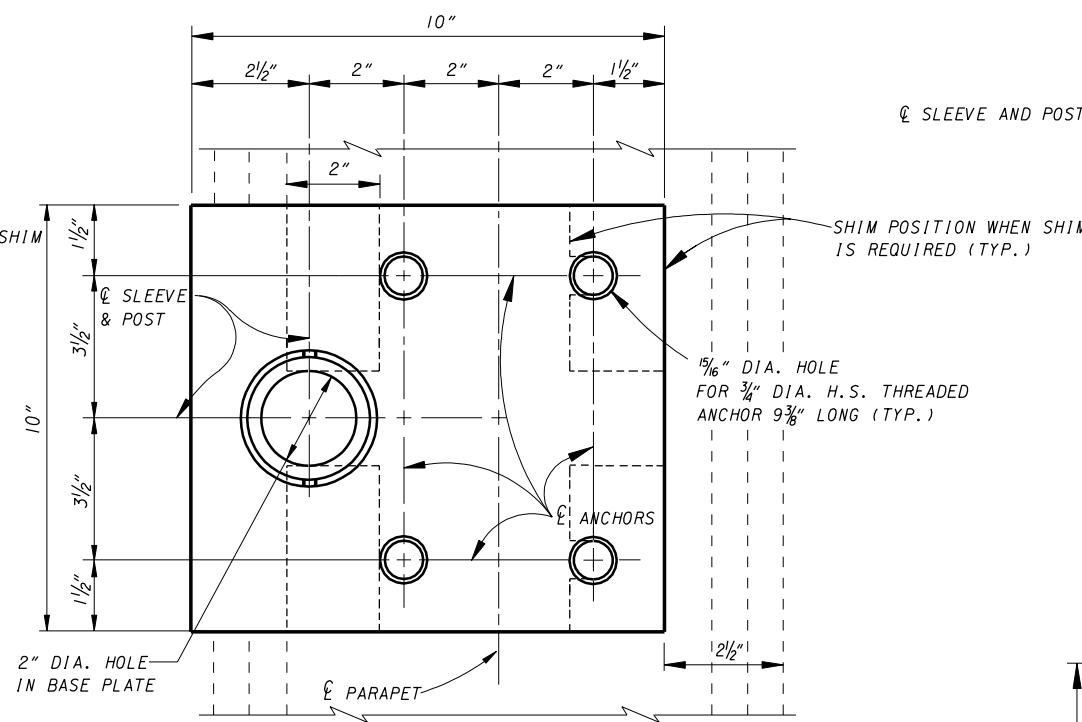


BASE PLATES FOR FENCE POSTS



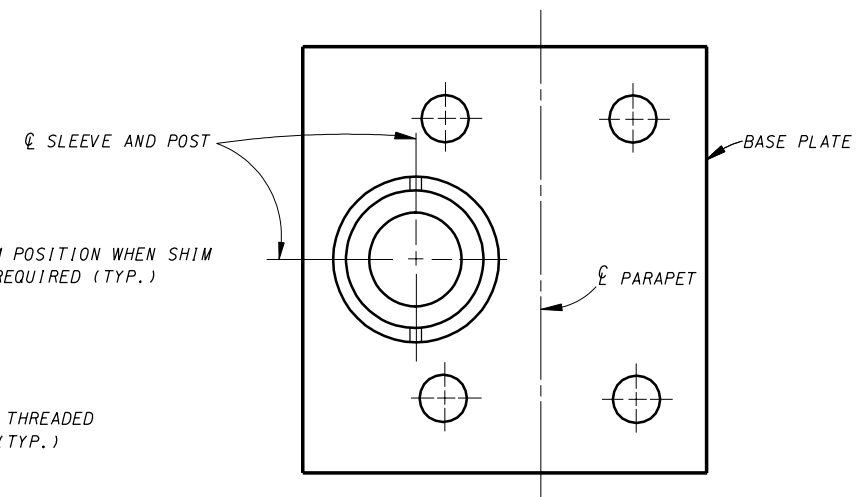
PLAN BP-1

SHIM POSITIONS ARE SHOWN, POST AND SET SCREWS ARE NOT SHOWN



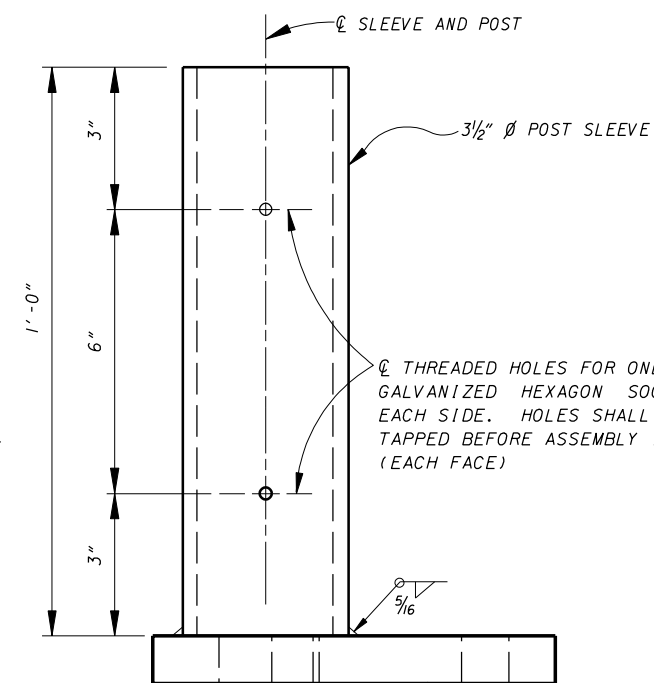
PLAN BP-2

SHIM POSITIONS ARE SHOWN, POST AND SET SCREWS ARE NOT SHOWN



POST SLEEVE PLAN

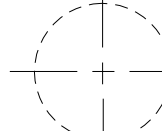
POST AND SET SCREWS NOT SHOWN



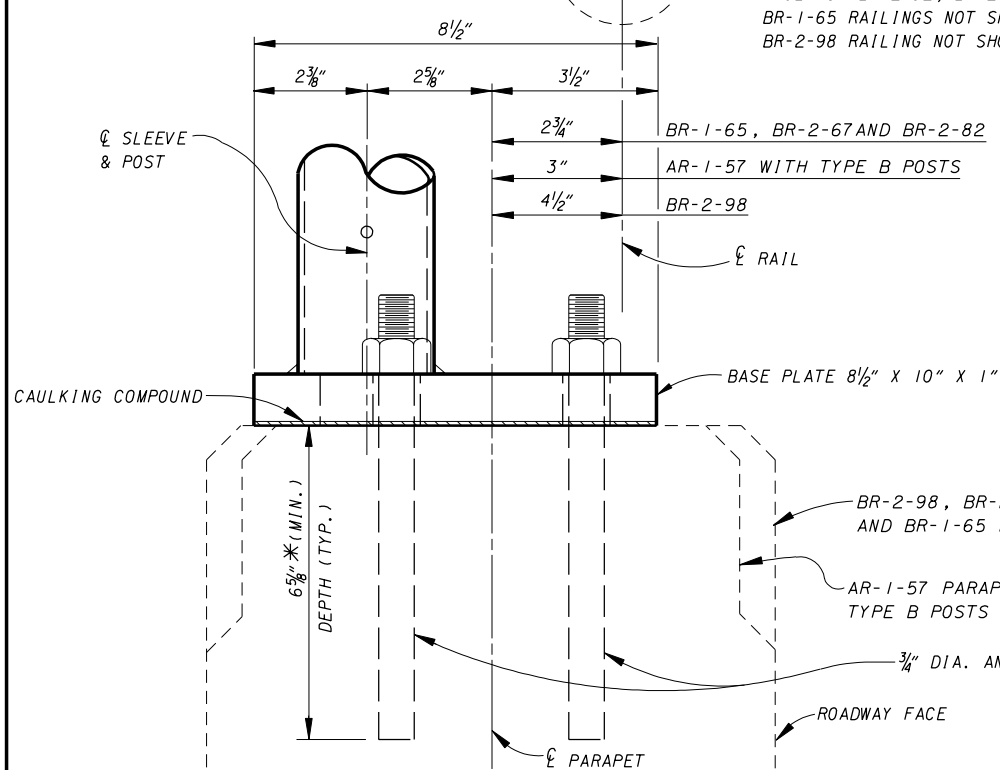
POST SLEEVE ELEVATION

POST AND SET SCREWS NOT SHOWN

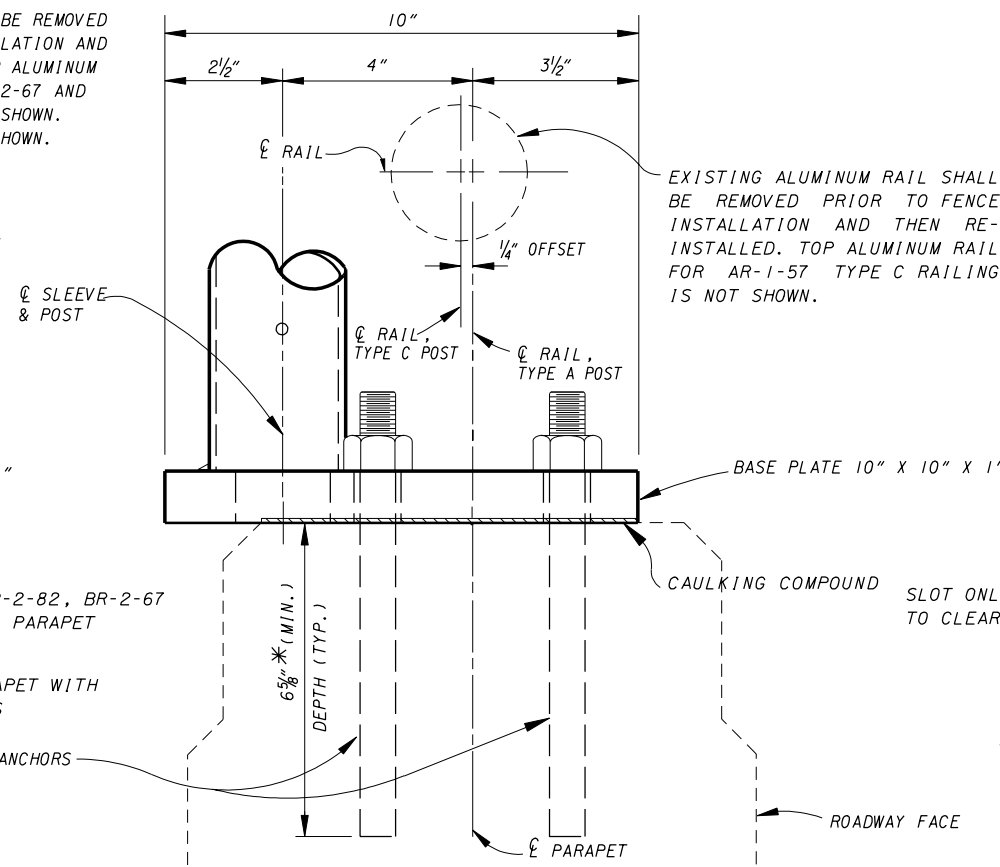
SEE GENERAL NOTES FOR OPTIONAL ANCHORAGE IN NEW CONCRETE



EXISTING RAILS SHALL BE REMOVED PRIOR TO FENCE INSTALLATION AND THEN REINSTALLED. TOP ALUMINUM RAIL FOR BR-2-82, BR-2-67 AND BR-1-65 RAILINGS NOT SHOWN. BR-2-98 RAILING NOT SHOWN.



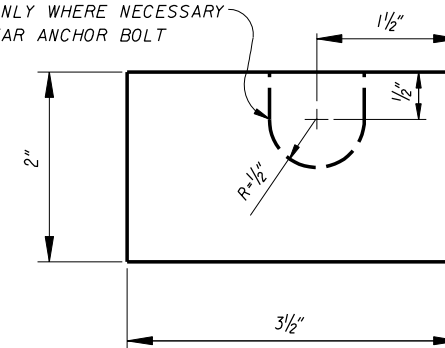
END VIEW BP-1



END VIEW BP-2

* OR AS RECOMMENDED BY THE FASTENER MANUFACTURER.

SLOT ONLY WHERE NECESSARY TO CLEAR ANCHOR BOLT



BASE PLATE SHIMS

1/16 inch, 1/8 inch AND 1/4 inch THICK

BP-1 SHALL BE USED ON CONCRETE PARAPETS WITH HORIZONTAL RAIL ELEMENTS AS SHOWN ON STANDARD BRIDGE DRAWING BR-2-98, BR-2-82, BR-2-67, BR-1-65 AND AR-1-57 WITH TYPE B POSTS. INSTALL FENCE BY REMOVING AND REINSTALLING THE HORIZONTAL RAIL ELEMENTS. BP-1 REQUIRES A SLEEVE. SEE POST SLEEVE DETAILS ON THIS SHEET.

BP-2 SHALL BE USED ON CONCRETE PARAPETS WITH HORIZONTAL RAIL ELEMENTS AS SHOWN ON STANDARD BRIDGE DRAWING AR-1-57 WITH TYPE A AND C POSTS. INSTALL FENCE BY REMOVING AND REINSTALLING THE HORIZONTAL RAIL ELEMENTS. BP-2 REQUIRES A SLEEVE. SEE POST SLEEVE DETAILS ON THIS SHEET.