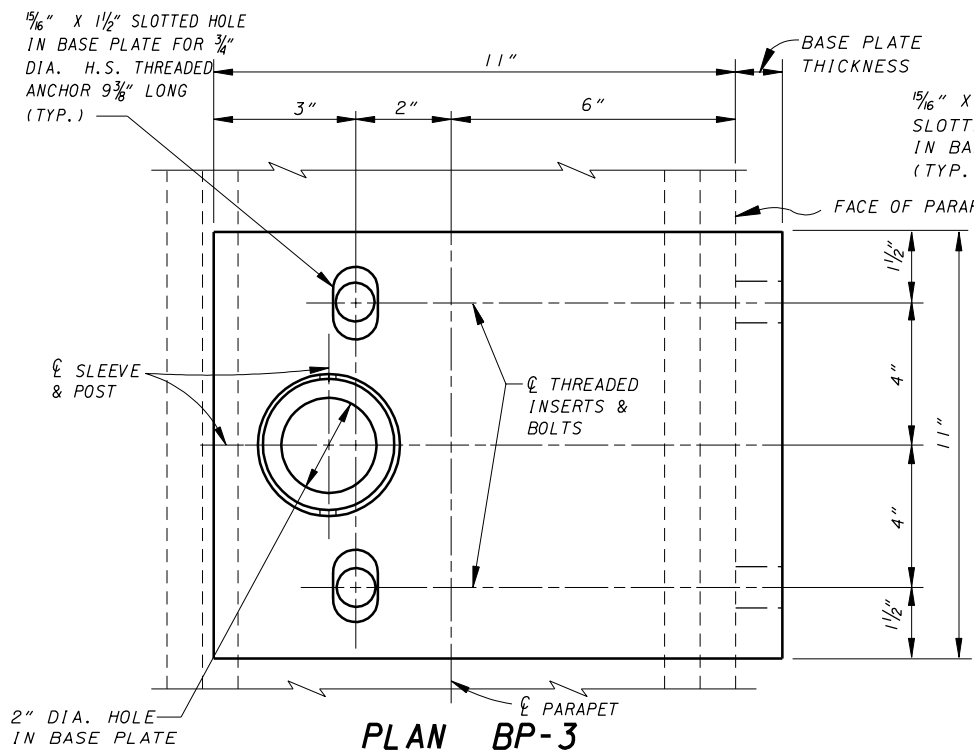
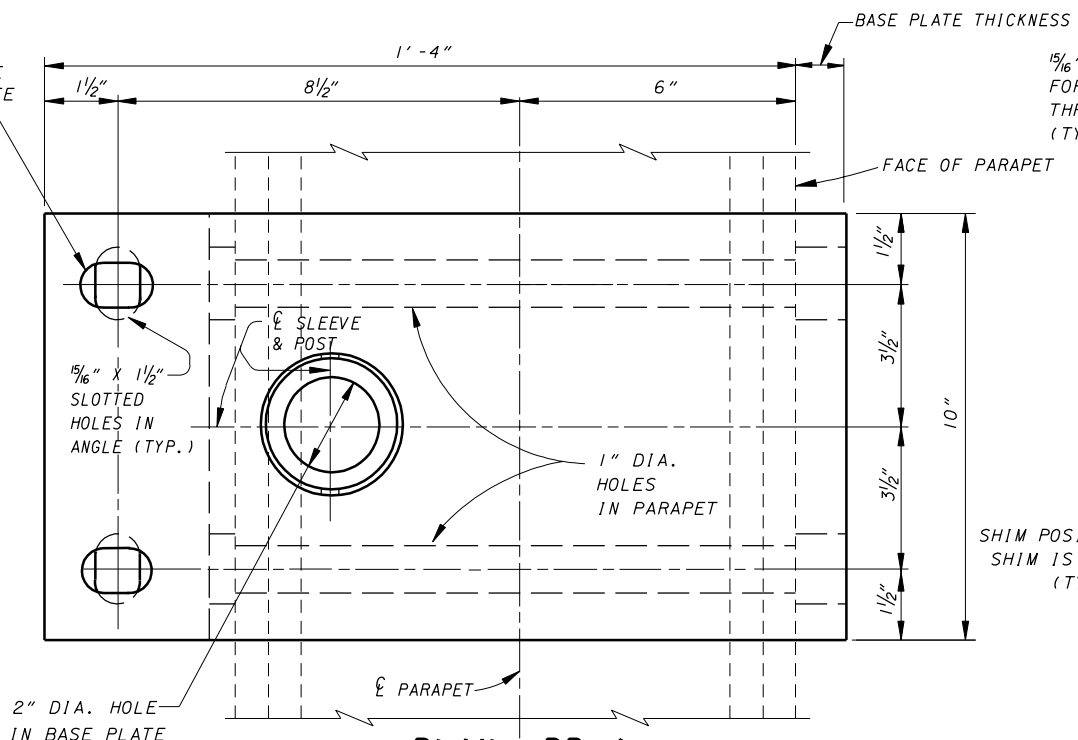


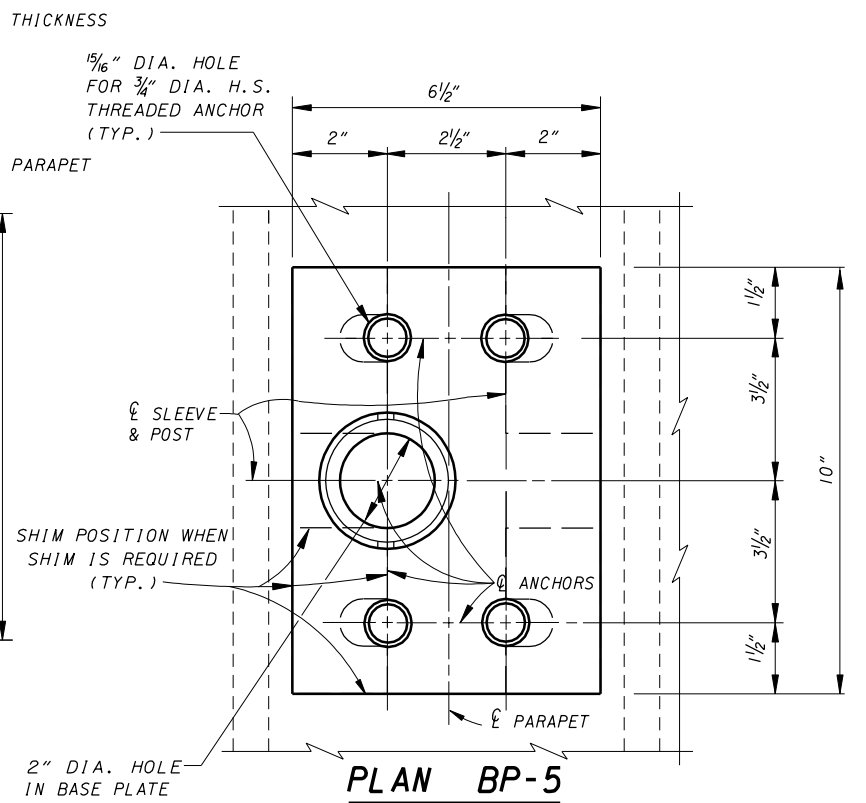
BASE PLATES FOR FENCE POSTS



PLAN BP-3



PLAN BP-4



PLAN BP-5

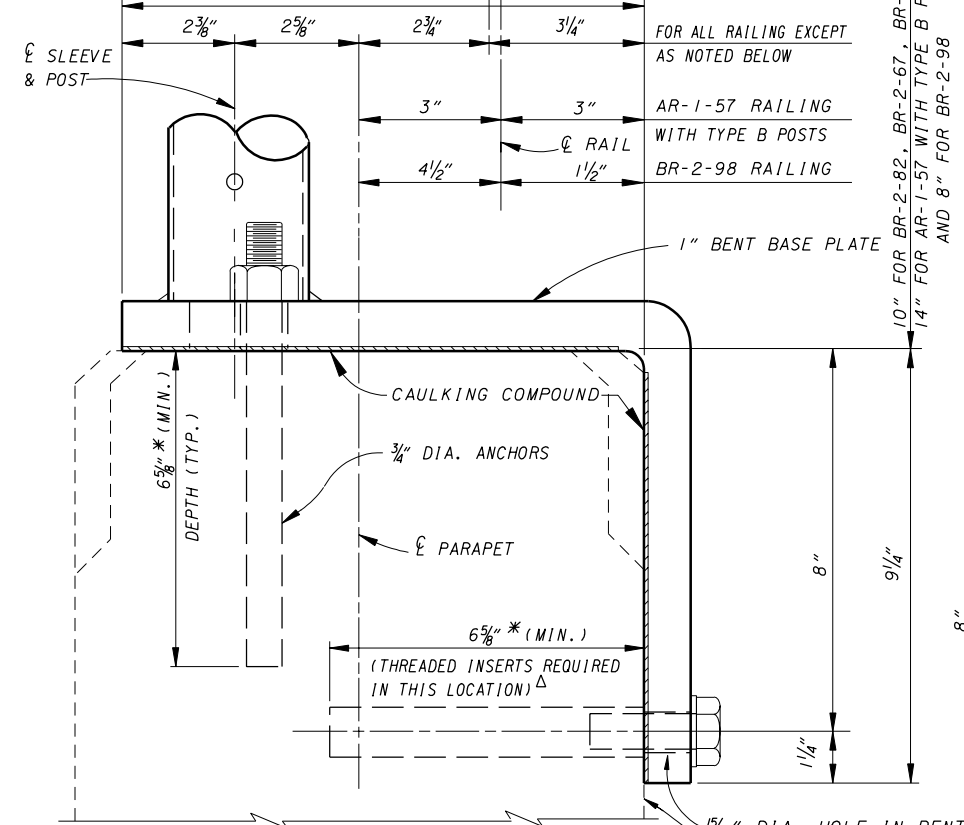
SEE GENERAL NOTES FOR OPTIONAL ANCHORAGE IN NEW CONCRETE

NOTE: TOP RAIL FOR BR-1-65 RAILING WITH TYPE 2 POSTS AND BOTH RAILS FOR BR-2-98 RAILING NOT SHOWN.

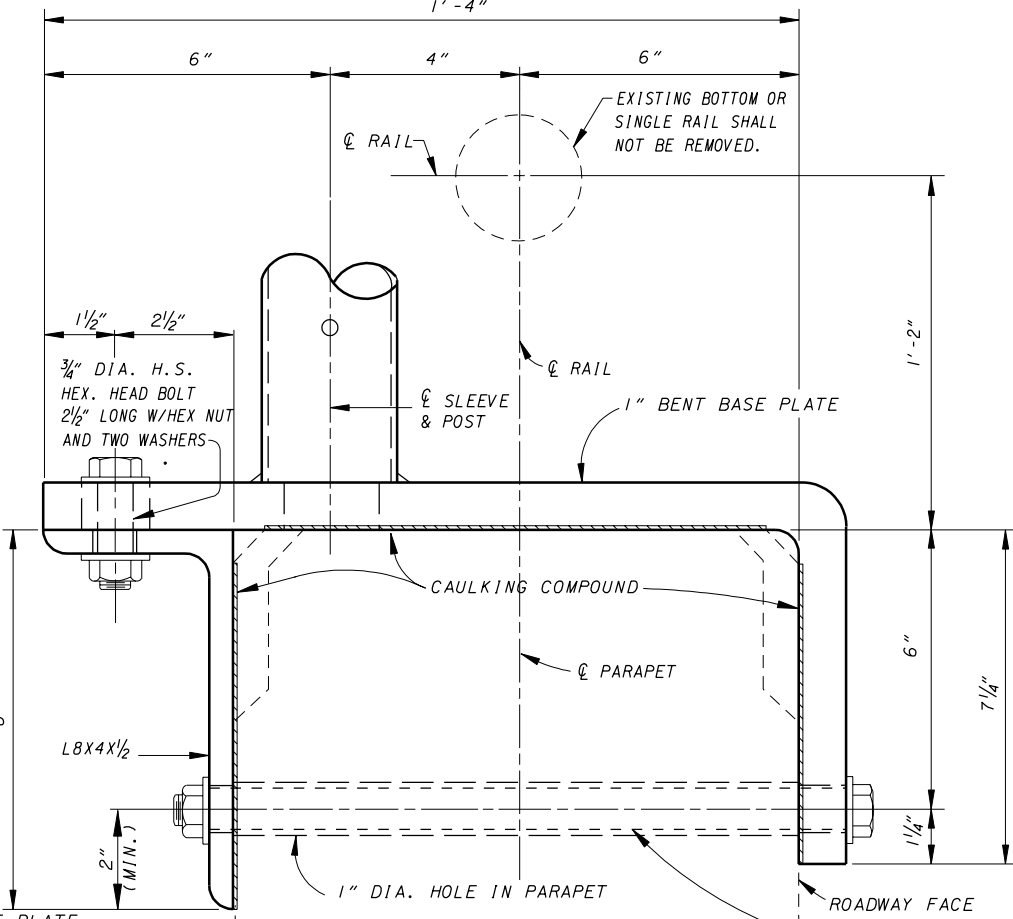
SHIM POSITIONS, POST AND SET SCREW NOT SHOWN

SHIM POSITIONS, POST AND SET SCREW NOT SHOWN

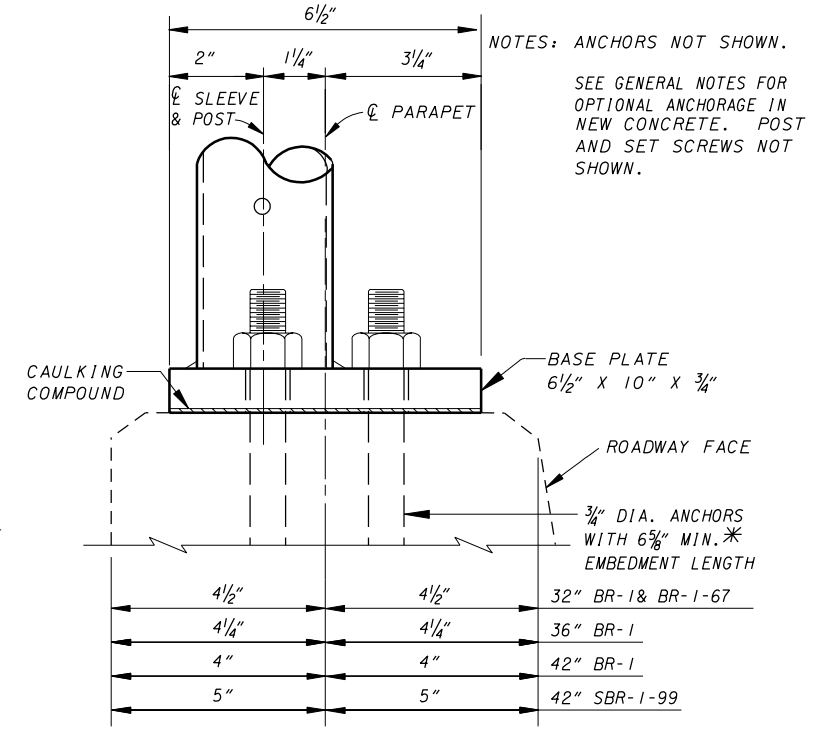
SHIM POSITIONS SHOWN



END VIEW BP-3



END VIEW BP-4



END VIEW BP-5

BP-5 SHALL BE USED TO CONNECT FENCE POSTS TO EXISTING BR-1-67 PARAPETS AND EXISTING OR NEW BR-1 & SBR-1-99 DEFLECTOR PARAPETS WHEN A 6'-0" HIGH FENCE IS SPECIFIED. BP-5 REQUIRES A SLEEVE. SEE SLEEVE DETAILS ON SHEET 3/7.

BP-3 SHALL BE USED ON CONCRETE PARAPETS WITH HORIZONTAL RAIL ELEMENTS AS SHOWN ON STANDARD BRIDGE DRAWINGS BR-2-82, BR-2-67, BR-1-65 WITH TYPES 1 & 2 POSTS, AR-1-57 WITH TYPE B POSTS AND BR-2-98. DO NOT REMOVE HORIZONTAL RAIL ELEMENTS. BP-3 REQUIRES A SLEEVE. SEE SLEEVE DETAILS ON SHEET 3/7.

BP-4 SHALL BE USED ON CONCRETE PARAPETS WITH HORIZONTAL RAIL ELEMENTS AS SHOWN ON STANDARD BRIDGE DRAWING AR-1-57 WITH TYPE A AND C POSTS. DO NOT REMOVE RAIL ELEMENTS. BP-4 REQUIRES A SLEEVE. SEE SLEEVE DETAILS ON SHEET 3/7.

3/4" DIA. H.S. HEX HEAD BOLT 1 1/2" LONG WITH HEX NUT AND TWO WASHERS IN 15/16" X 1 1/2" HORIZONTALLY SLOTTED HOLES IN BENT PLATE AND ANGLE

Δ - OBTAIN THE ENGINEER'S APPROVAL FOR THE THREADED INSERTS.

* - OR AS RECOMMENDED BY THE FASTENER MANUFACTURER.