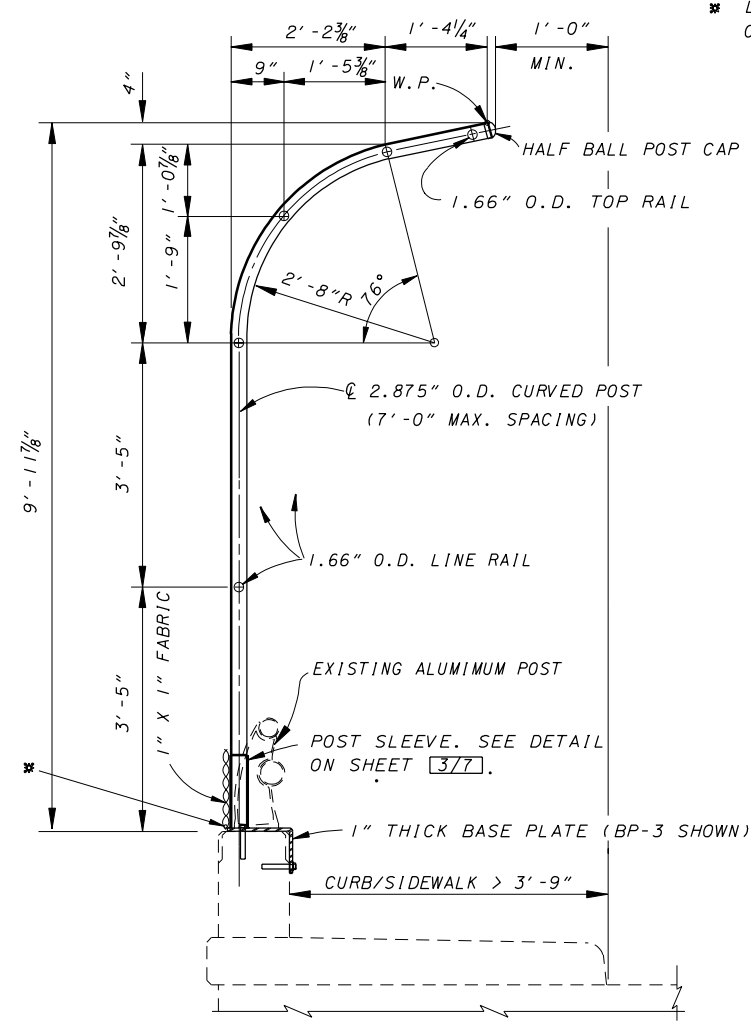


NOTE: FOR BASE PLATE DETAILS, SEE SHEETS 3/7 & 4/7.

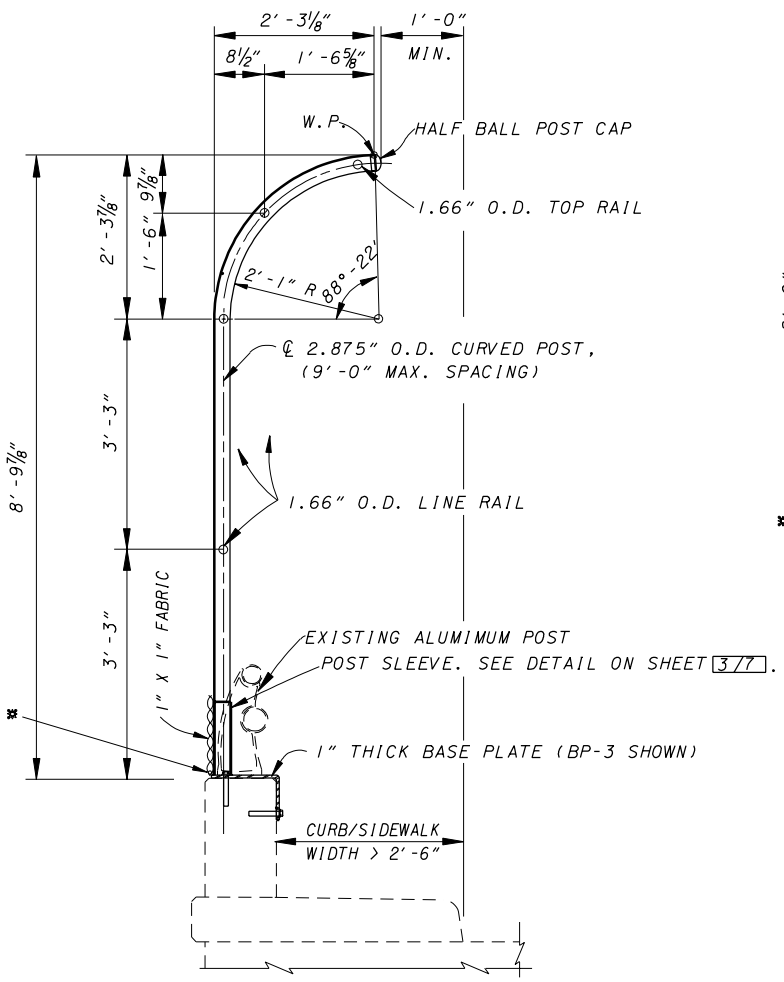
\* LOCATION OF STAINLESS STEEL CLOSURE PLATE AND TENSION WIRE.

NOTE: SEE GENERAL NOTES FOR OPTIONAL ANCHORAGE IN NEW CONCRETE.

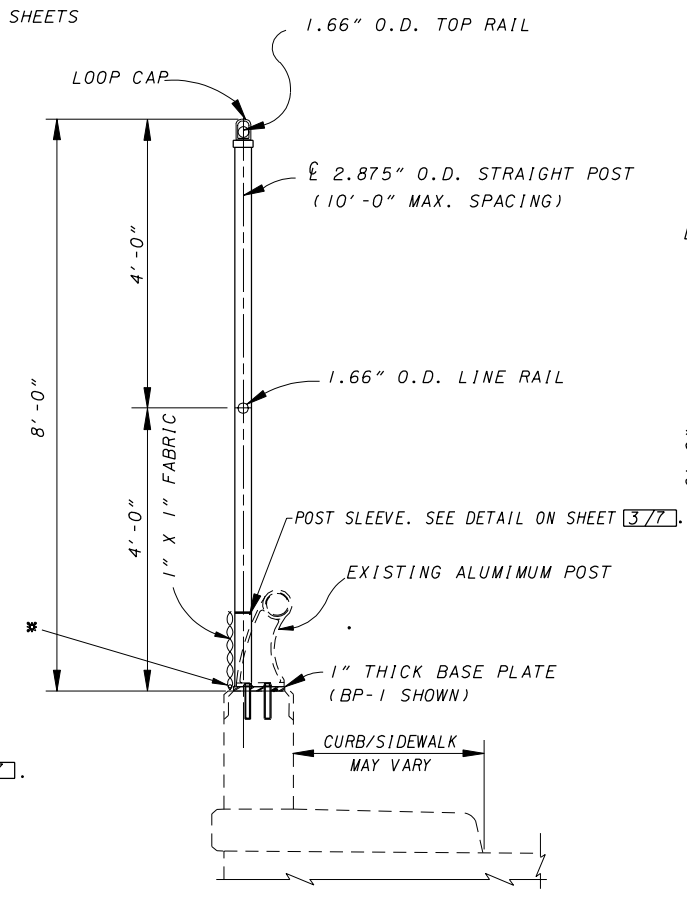


**POST SECTION PS-1**  
(12'-0" CURVED FENCE)

NOTE: BEGIN FABRIC AT BASE PLATE. (MAXIMUM GAP BETWEEN FABRIC AND CONCRETE PARAPET = 1")

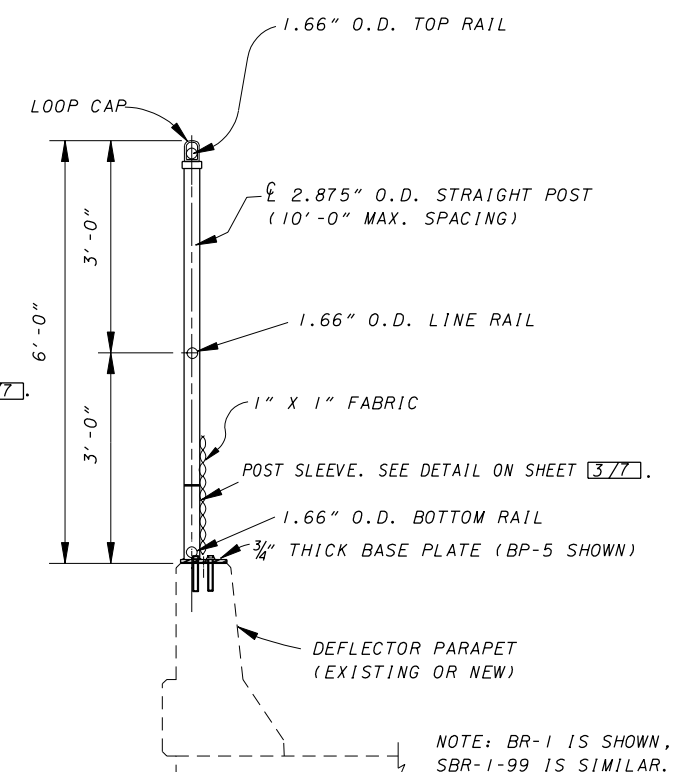


**POST SECTION PS-2**  
(10'-0" CURVED FENCE)

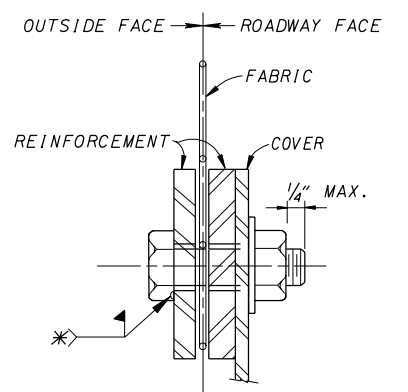


**POST SECTION PS-3**  
(8'-0" STRAIGHT FENCE)

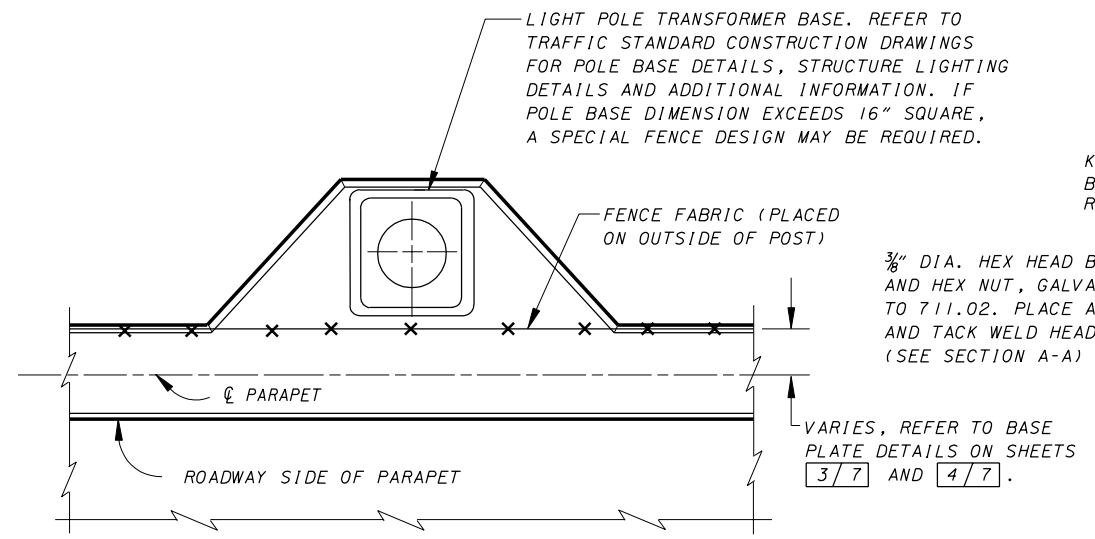
NOTE: INSTALL 1.66" O.D. BOTTOM RAIL AND LOCATE FENCE FABRIC ALONG INSIDE FACE OF POSTS FOR POSTS SECTIONS PS-1, PS-2 AND PS-3 PLACED ON NEW CONCRETE PARAPETS WITHOUT HORIZONTAL RAIL ELEMENTS.



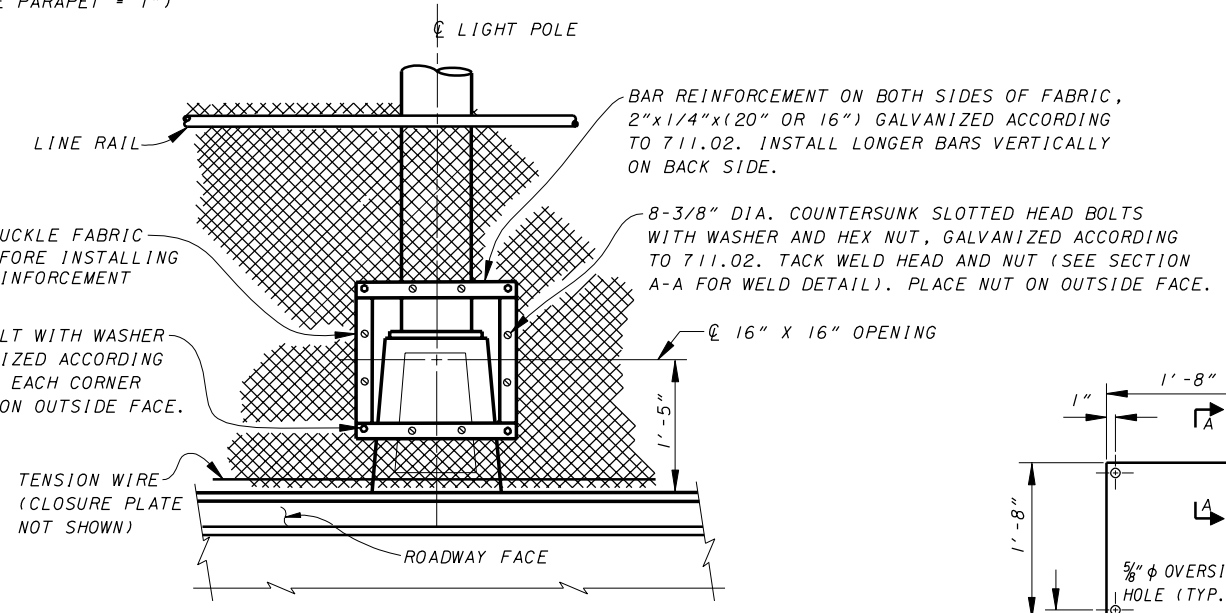
**POST SECTION PS-4**  
(6'-0" STRAIGHT FENCE)



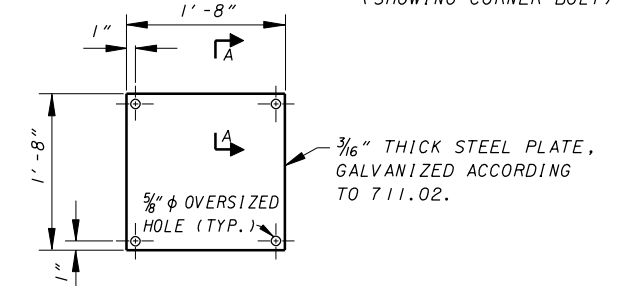
**SECTION A-A**  
(SHOWING CORNER BOLT)



**FENCE DETAILS AT TYPICAL LIGHT POLE PILASTER**  
(RAIL(S) NOT SHOWN)



**ACCESS OPENING AT LIGHT POLE**  
(COVER NOT SHOWN)



**ACCESS COVER**

DESIGN AGENCY	OFFICE OF	STRUCTURAL ENGINEERING
STATE OF OHIO DEPARTMENT OF TRANSPORTATION	DATE	9-26-90
DESIGNED BY	DRWN	GFJ
REVISIONS	CHECKED	REVIEWED
02-01-92	RLD	WTF
03-24-93	JCR	
07-19-02	GFJ	
VANDAL PROTECTION FENCE		
STANDARD		
5		7