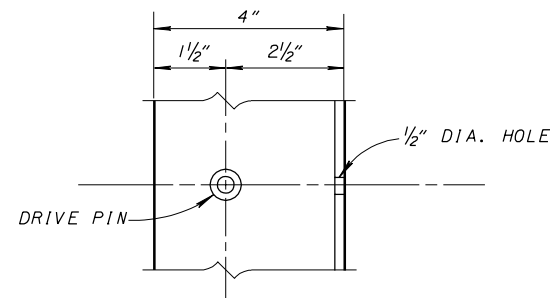
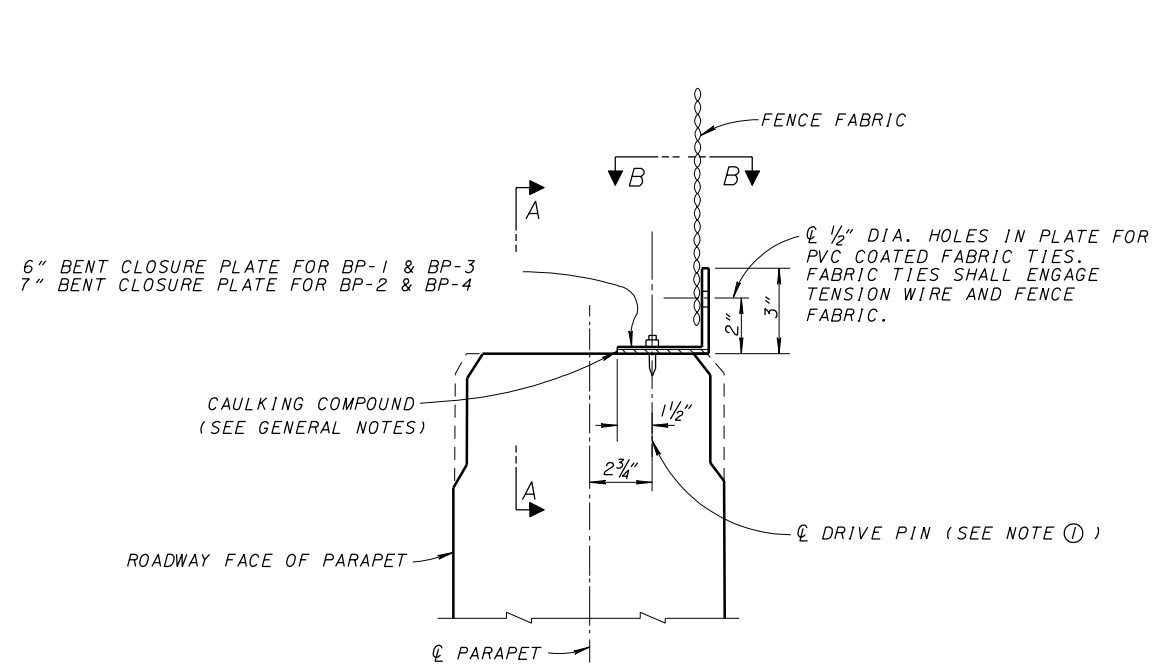


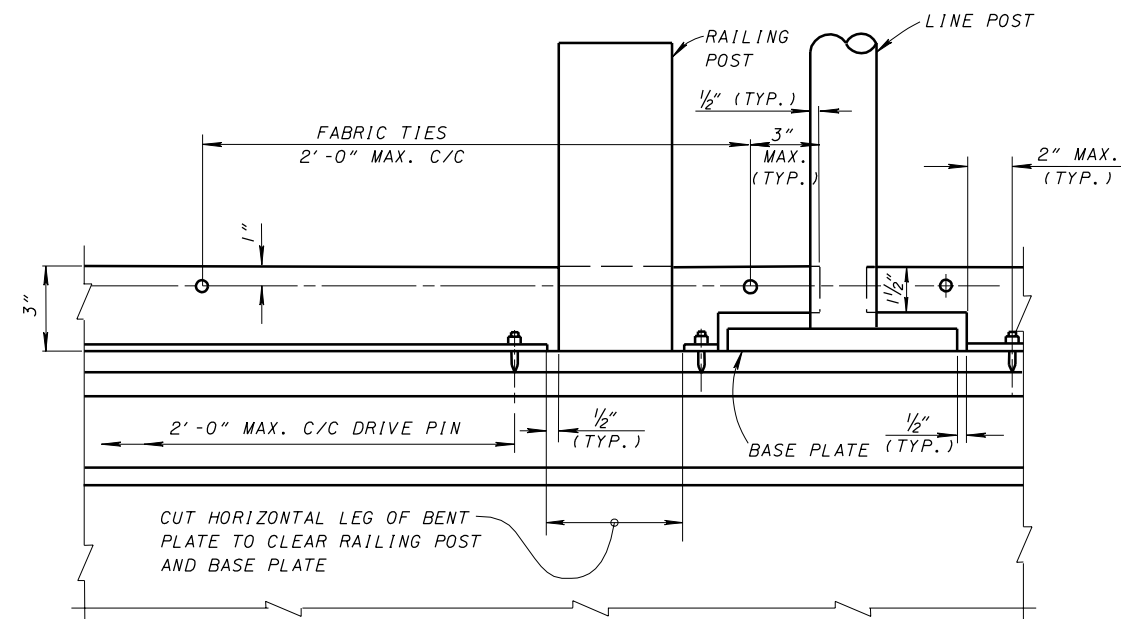
**VIEW B-B**  
(FOR BP-1 & BP-3 BASE PLATES)



**VIEW B-B**  
(FOR BP-2 & BP-4 BASE PLATES)



**SECTION THRU PARAPET SHOWING  
FENCE CLOSURE PLATE ELEVATION**




**VIEW A-A**

**NOTES**

STAINLESS STEEL CLOSURE PLATES: INSTALL CLOSURE PLATES FOR PS-1, PS-2 AND PS-3 POST SECTIONS, EXCEPT CLOSURE PLATES ARE NOT REQUIRED ON PS-4 OR SPECIAL INSTALLATIONS OF OTHER POST SECTIONS WITH BOTTOM RAILS ADDED AS NOTED ON SHEET 5/7.

- ① DRIVE PINS SHALL BE STAINLESS STEEL, 1<sup>5</sup>/<sub>16</sub>" X 0.145" (SHANK LENGTH X SHANK DIAMETER) FLAT HEAD DRIVE PINS WITH WASHERS. THE PINS SHALL PROVIDE THE CORROSION RESISTANCE EQUIVALENT TO AISI 316. THE USE OF POWDER-ACTUATED FASTENING SYSTEMS IS ACCEPTABLE.
- ② STAINLESS STEEL BENT CLOSURE PLATES, 6" (FOR BP-1 & BP-3) OR 7" (FOR BP-2 & BP-4), SHALL BE 10 GAGE ASTM A240, TYPE 304 WITH A NO. 1 FINISH.

DESIGN AGENCY	OFFICE OF	STRUCTURAL ENGINEERING
STATE OF OHIO DEPARTMENT OF TRANSPORTATION	DATE	9-26-90
 ENGINEER OF BRIDGES		
REVIEWED	WTF	
CHECKED	RLD	VPF-1-90
DESIGNED	JCR	GFJ
REVISIONS	02-01-92	
	03-24-93	
	07-19-02	
STANDARD	<b>VANDAL PROTECTION FENCE</b>	
	7	7