



**OHIO DEPARTMENT OF TRANSPORTATION**  
CENTRAL OFFICE, 1980 W. BROAD ST., COLUMBUS, OHIO 43216-0899

April 20, 2012

To: Users of the Bridge Design Manual

From: Tim Keller, Administrator, Office of Structural Engineering

By: Sean Meddles, Bridge Standards Engineer

Re: 2012 Second Quarter Revisions

Revisions have been made to the ODOT Bridge Design Manual, July 2007. These revisions shall be implemented on all Department projects with a Stage 2 plan submission date after April 20, 2012. Implementation of these revisions for projects further along the development process should be considered on a project-by-project basis.

This package contains the revised pages. The revised pages have been designed to replace the corresponding pages in the book and are numbered accordingly. Revisions, additions, and deletions are marked in the revised pages by the use of one vertical line in the right margin. The header of the revised pages is dated accordingly.

To keep your Manual correct and up-to-date, please replace the appropriate pages in the book with the pages in this package.

To ensure proper printing, make sure your printer is set to print in the 2-sided mode.

The July 2007 edition of the Bridge Design Manual may be downloaded at no cost using the following link:

<http://www.dot.state.oh.us/Divisions/HighwayOps/Structures/standard/Pages/default.aspx>

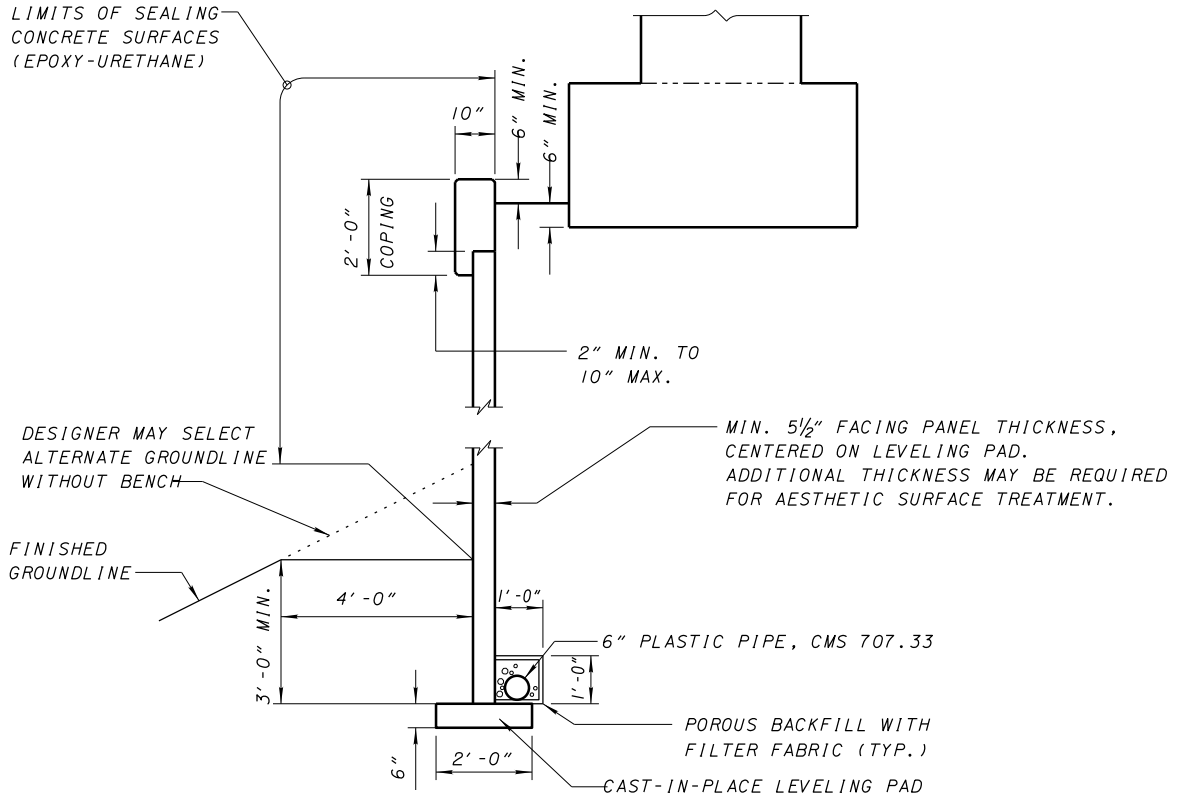
Attached is a brief description of each revision.

(THIS PAGE INTENTIONALLY LEFT BLANK)

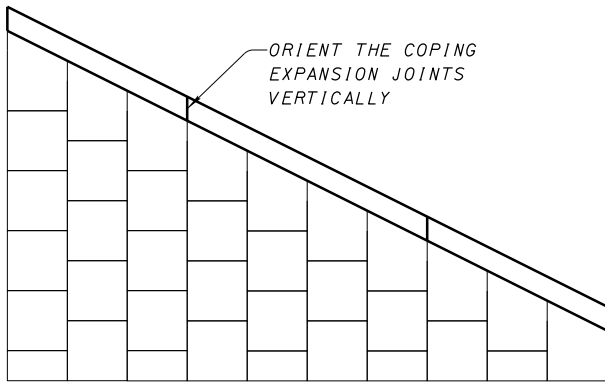
## Summary of Revisions to the July 2007 ODOT BDM

<b>BDM Section</b>	<b>Affected Pages</b>	<b>Revision Description</b>
Figure 303.5.1-4		The dowel spacing and coping reinforcement detailing has been revised.

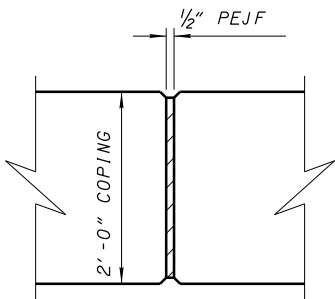
(THIS PAGE INTENTIONALLY LEFT BLANK)



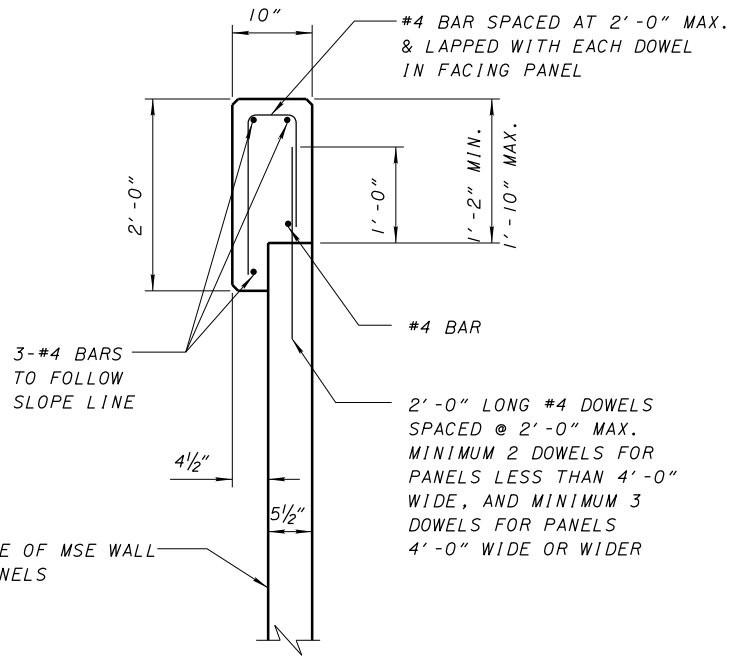
**MSE WALL AND COPING DETAIL**



**COPING JOINT ORIENTATION DETAIL**



**COPING EXPANSION JOINTS**



**MSE WALL COPING**

ALL REINFORCING STEEL TO BE EPOXY COATED

FIGURE 303.5.1-4

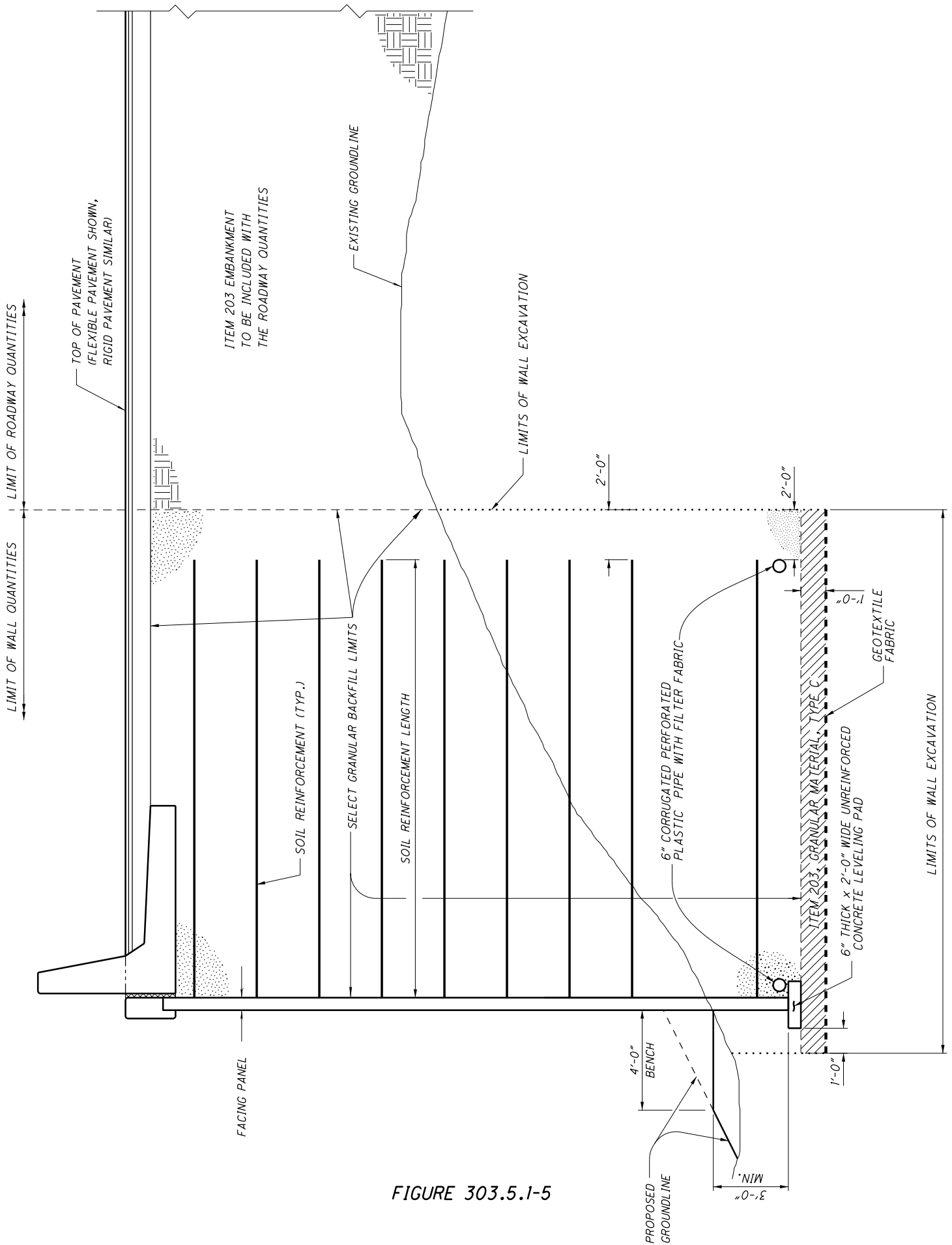


FIGURE 303.5.1-5