



OHIO DEPARTMENT OF TRANSPORTATION
CENTRAL OFFICE, 1980 W. BROAD ST., COLUMBUS, OHIO 43216-0899

January 28, 2005

To: Users of the Bridge Design Manual

From: Tim Keller, Administrator, Office of Structural Engineering

By: Sean Meddles, Bridge Standards Engineer

Re: Errata

This package contains revised pages to correct printing errors contained in the January 21, 2005 revisions to the ODOT Bridge Design Manual. These revised pages have been designed to replace the corresponding pages in the book and are numbered accordingly.

To keep your Manual correct and up-to-date, please replace the appropriate pages in the book with the pages in this package.

To ensure proper printing, make sure your printer is set to print in the 2-sided mode.

The January 2004 edition of the Bridge Design Manual may be downloaded at no cost using the following link: <http://www.dot.state.oh.us/se/BDM/BDM2004/bdm2004.htm>

The January 2004 edition is also available for purchase from the Ohio Department of Transportation, Office of Contracts, 1980 W. Broad St., Columbus, Ohio 43223.

(THIS PAGE INTENTIONALLY LEFT BLANK)

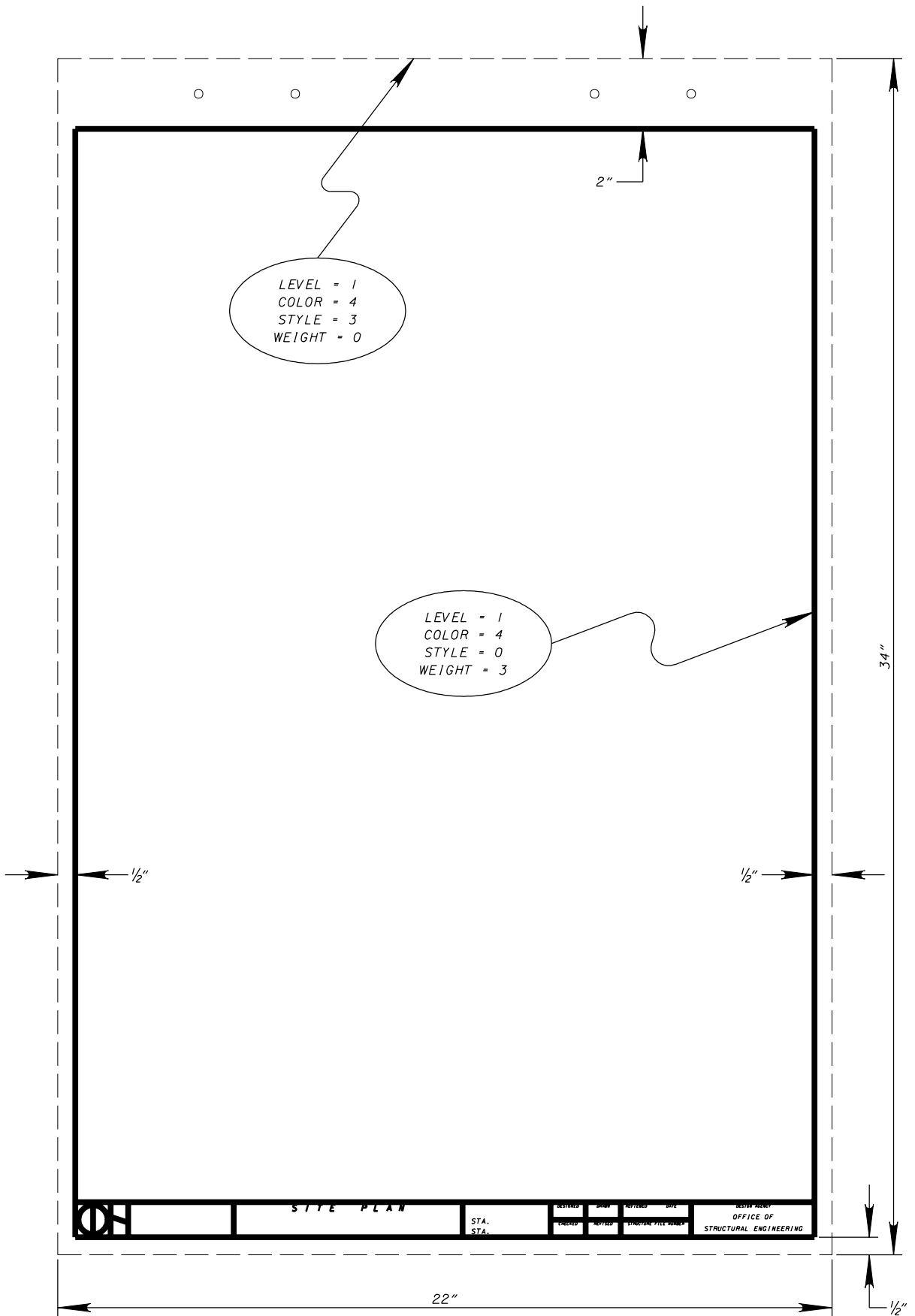
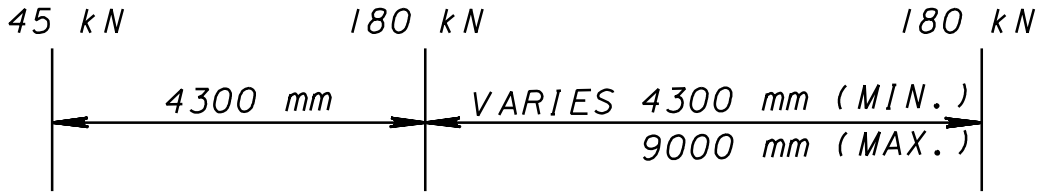
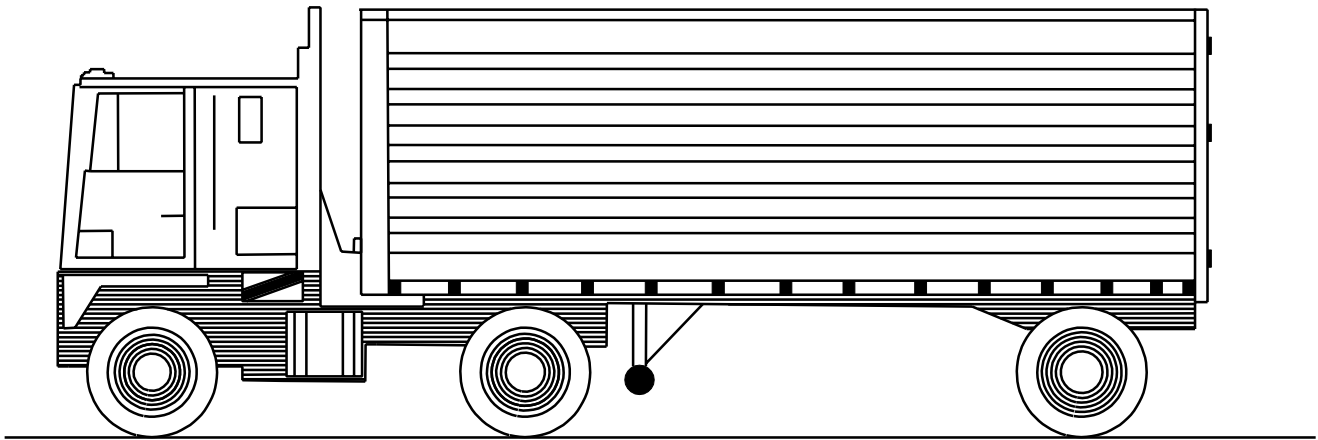


Figure 107

(THIS PAGE INTENTIONALLY LEFT BLANK)

THIS FIGURE HAS BEEN RETIRED
(EFFECTIVE 01-17-03)

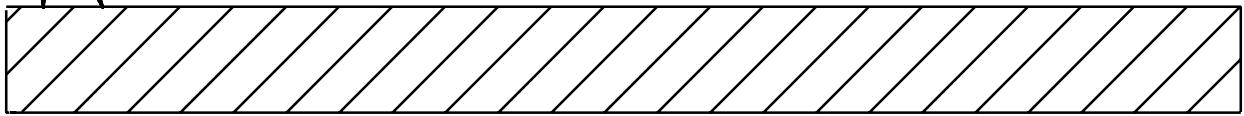
(THIS PAGE INTENTIONALLY LEFT BLANK)



MS22.5 TRUCK

CONCENTRATED LOAD - 100 kN FOR MOMENT
 - 145 kN FOR SHEAR

UNIFORM LOAD 11.7 kN PER LINEAR METER OF LOAD LANE



*MS22.5 LANE LOADING
 CLEARANCE AND
 LOAD LANE WIDTH*

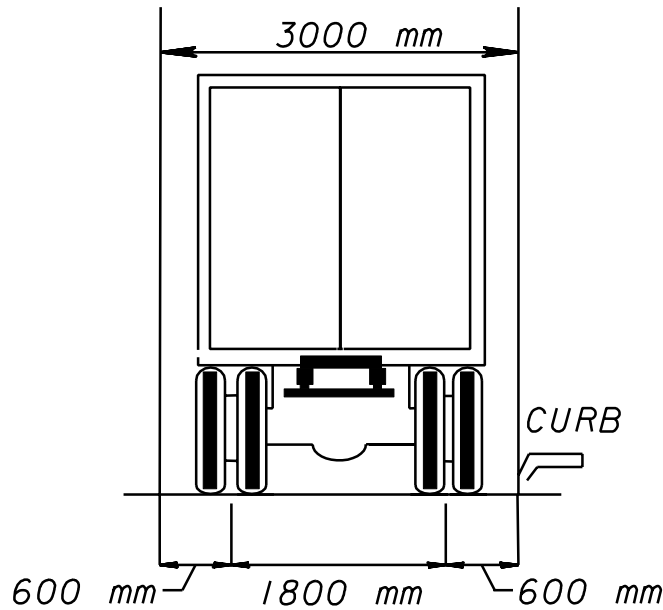


Figure 30IM