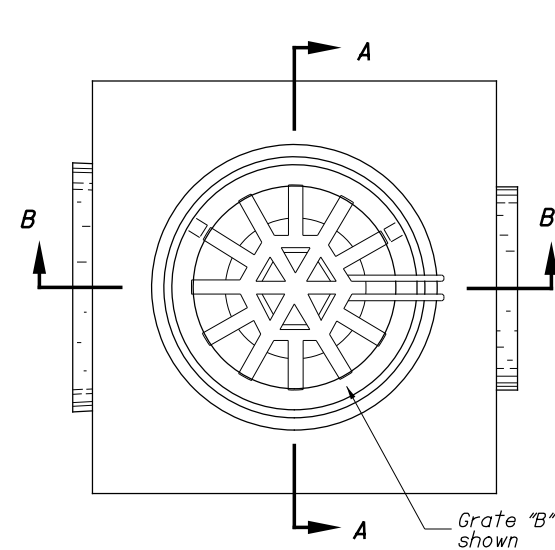


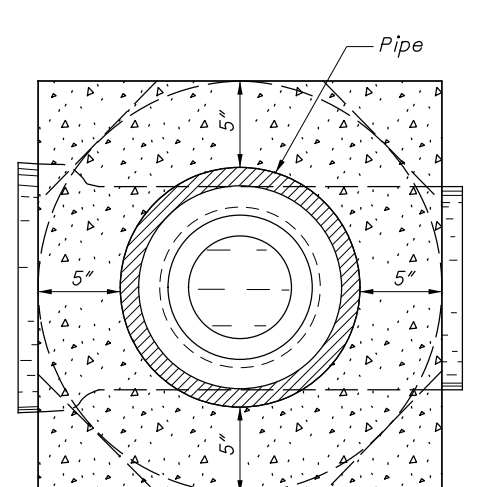
SECTION A-A

SECTION B-B



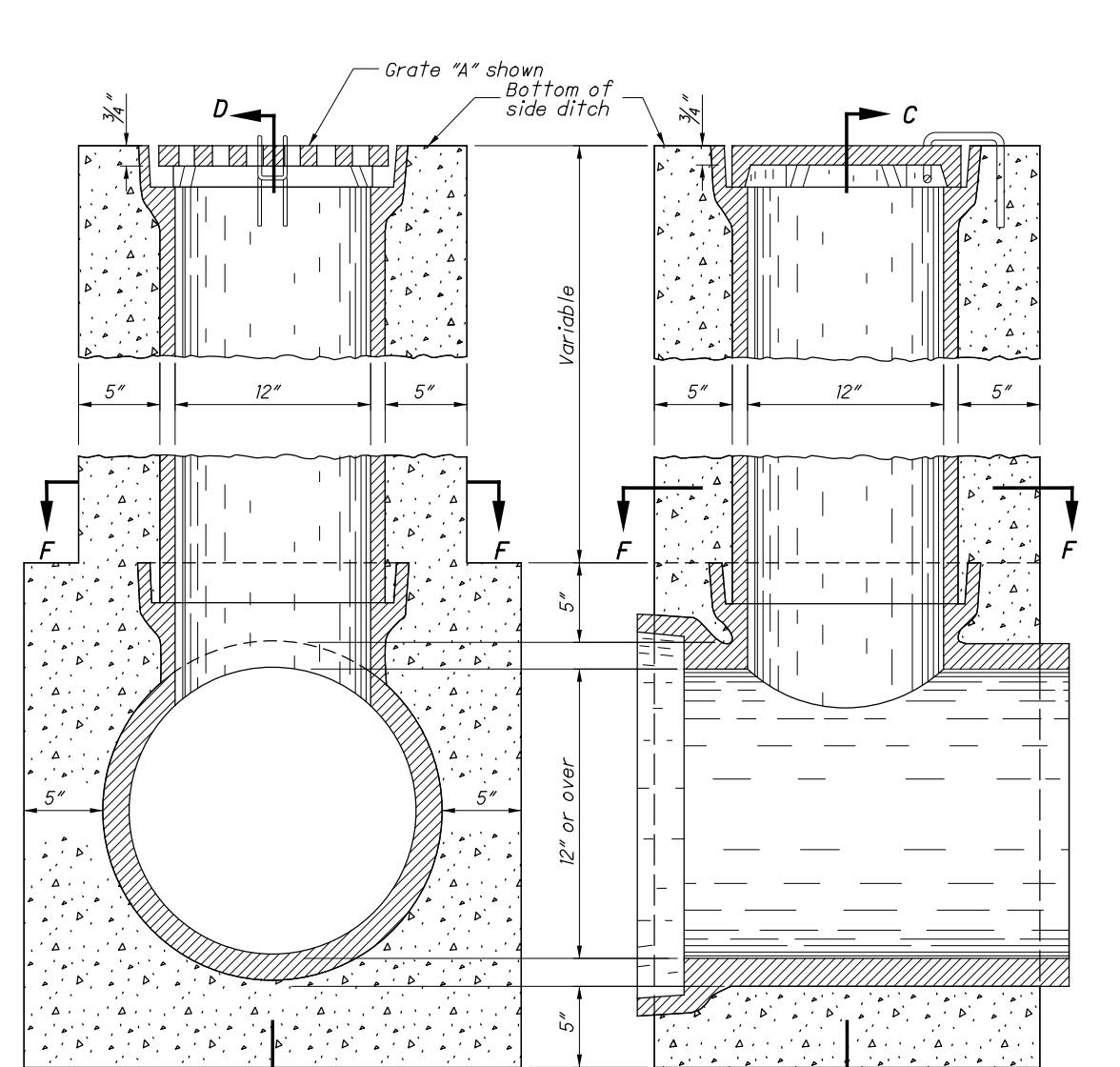
PLAN

CONSTRUCTED ON PIPE  
LESS THAN 12" DIAMETER



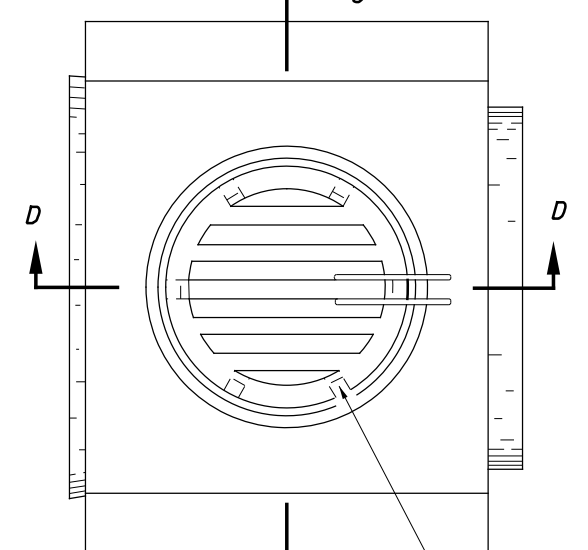
SECTION E-E

SIDE DITCH INLETS



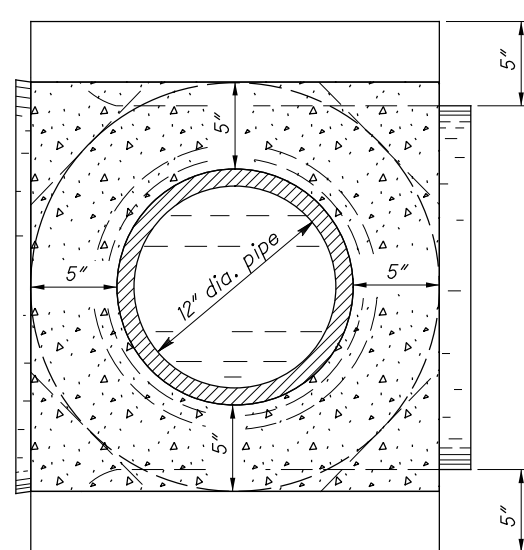
SECTION C-C

SECTION D-D



PLAN

CONSTRUCTED ON PIPE  
12" DIAMETER OR OVER



SECTION F-F

NOTES

**GRATES:** Provide Grate "A" unless the plans specify Grate "B".

Cast the following text into the top of the grate:

**"DUMP NO WASTE" and "DRAINS TO WATERWAY"**

Print text in bold, capital letters at least 1/2" high. "WATERWAY" may be substituted with "STREAM", "RIVER", "LAKE", etc. Actual placement and logo may vary per manufacturer.

**CASTINGS:** Meet CMS 611 requirements. Provide a design essentially the same and equally as strong as the one shown.

Minimum weight is:  
30 lbs. for Grate "A"  
20 lbs. for Grate "B".

Lighter weight grates that meet the requirements of CMS 711.14 may also be provided. Provide grate openings and dimensions as shown here unless otherwise shown in the plans.

**CASTING ANCHOR:** Anchor is to be a 3/8" radius 2' long, bent around grate as shown and anchored into concrete casing.

**PRECAST CONSTRUCTION:** Permitted. Meet the concrete requirements of 706.13. Provide sufficient reinforcing to permit shipping and placement without damage.

**LOCATION AND ELEVATION:** When given on the plans the location is at the center of the grate. The elevation is at the lowest point on the grate.

**CONCRETE CASING:** Casing for riser may be square, round or hexagonal in shape. Use 4000 psi compressive strength concrete.

**RISER PIPE:** Riser is 12" in diameter regardless of size of sewer line.

**TEE:** Where sewer line is not continuous through inlet, plug the upstream opening of the tee properly using a preformed stopper and sealed joint.

**RISER AND TEE:** Meet the requirements of CMS 611 Type B Pipe Material or furnish precast as noted above.

**PAYMENT:** All materials and labor, including excavation and backfilling, are paid for under Item 611 - Inlet, Side Ditch.

STATE OF OHIO DEPARTMENT OF TRANSPORTATION HYDRAULIC ENGINEER	Jeffery E. Syar
ROADWAY HYDRAULIC ENGINEER	M. Cozzoli
OFFICE OF HYDRAULICS ENGINEERING	
STANDARD HYDRAULIC CONSTRUCTION DRAWING	SIDE DITCH INLETS
DRAWING	CB-1
	1 / 1