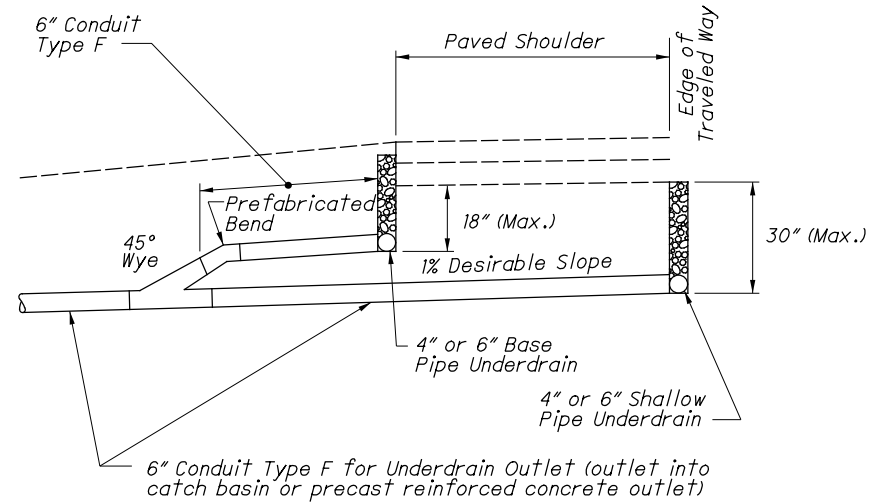
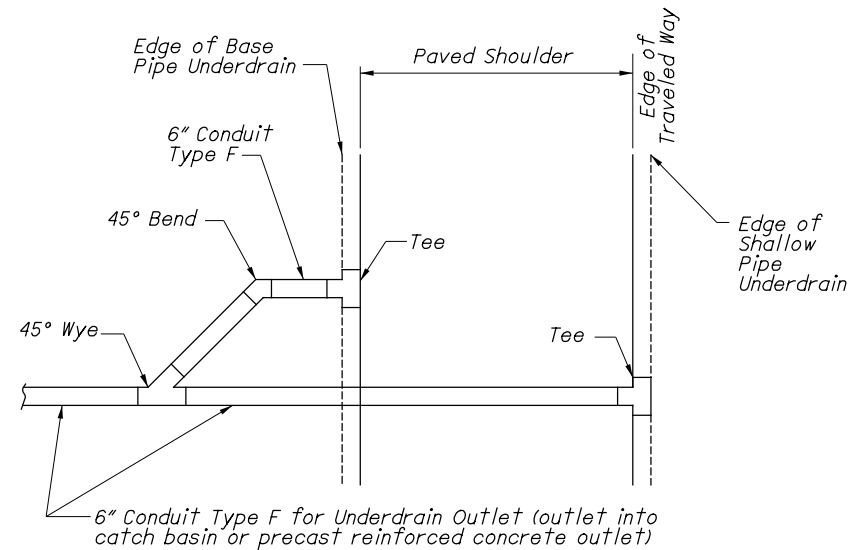


I:\Hy\Standard Drawings\July 2021 Rename\Revisions\DM-1.2\_2021-07-21.dgn Sheet 4/16/2021 7:43:49 AM kbrandon



**PROFILE**

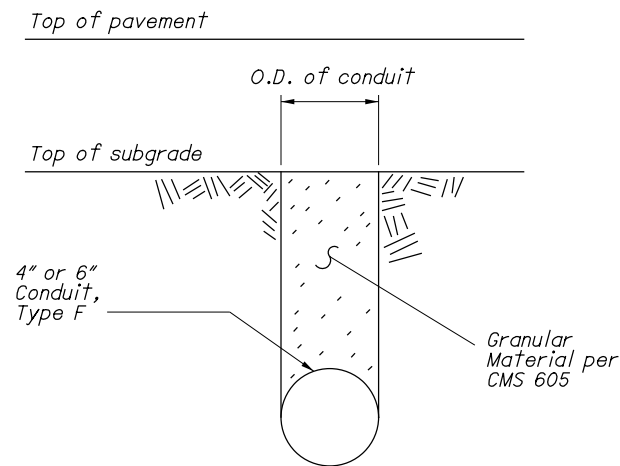


**PLAN**

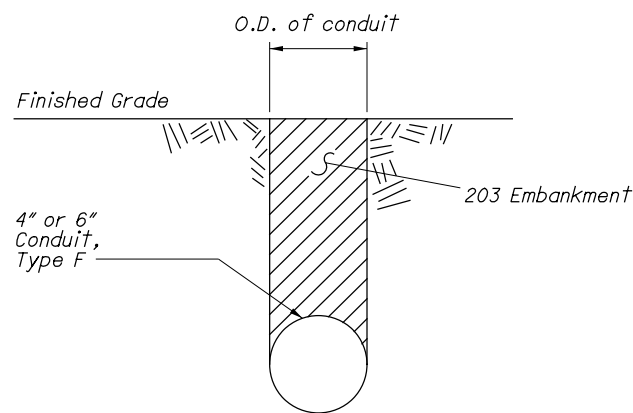
**NOTES**

**BASIS OF PAYMENT FOR CONDUIT, TYPE F FOR UNDERDRAIN OUTLETS:** Include the cost of excavation, backfill, and all pipe bends and branches needed to connect and outlet all existing and proposed underdrains in the contract unit price for Item 611, Type F for Underdrain Outlets.

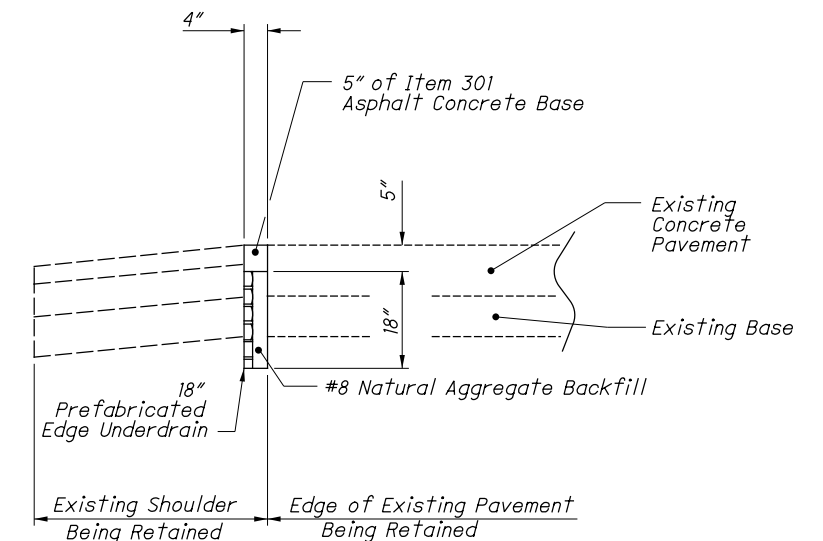
**BASIS OF PAYMENT FOR PREFABRICATED EDGE DRAIN SYSTEM:** Include the cost of Item 301 Asphalt Concrete Base in the contract unit price for Item 605 - **4" Prefabricated Edge Underdrains.**



**611 4" or 6" Conduit, Type F Under Pavement or Base**



**611 4" or 6" Conduit, Type F Outside Pavement or Base**



**PREFABRICATED EDGE DRAIN SYSTEM**