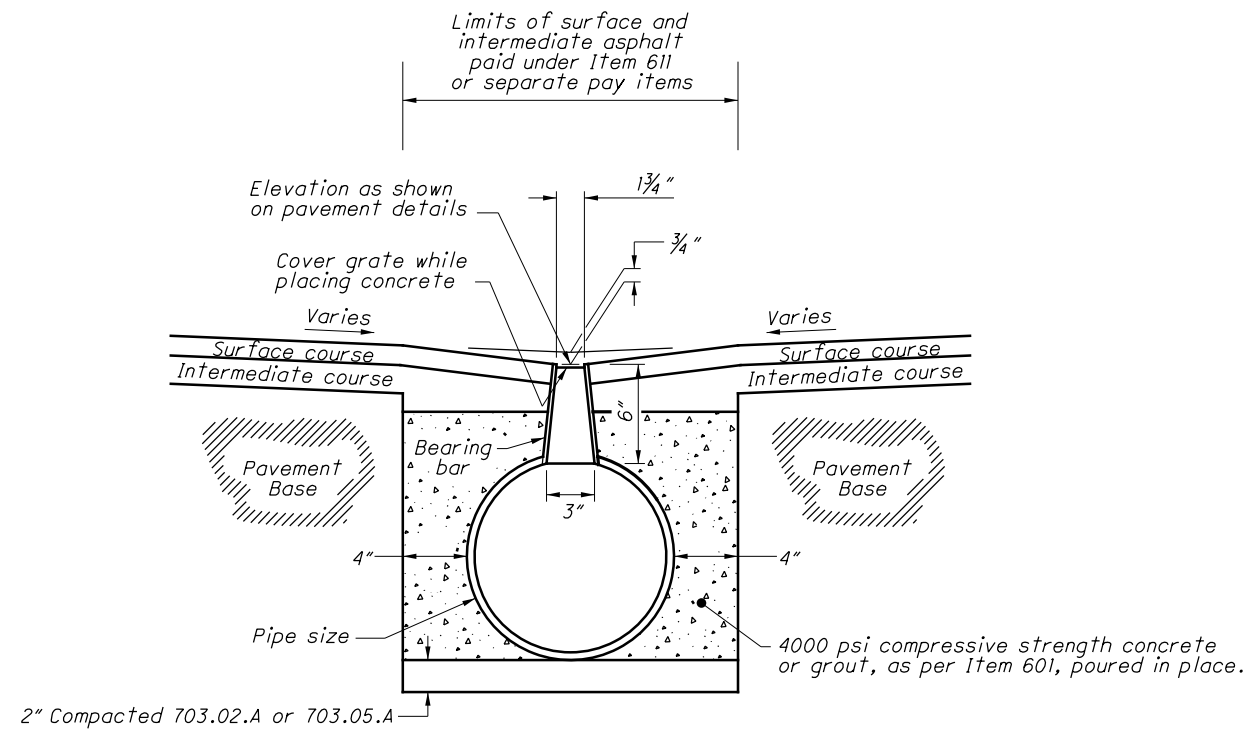
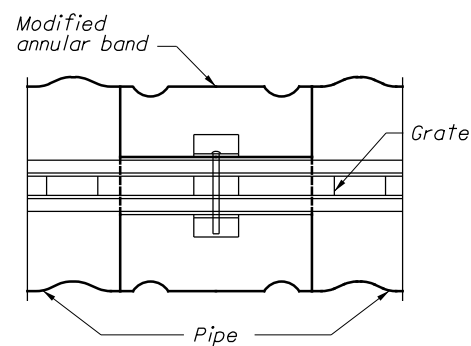
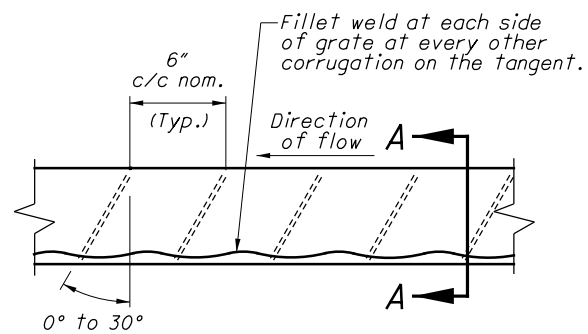


TYPE 1



SECTION A-A



PLAN

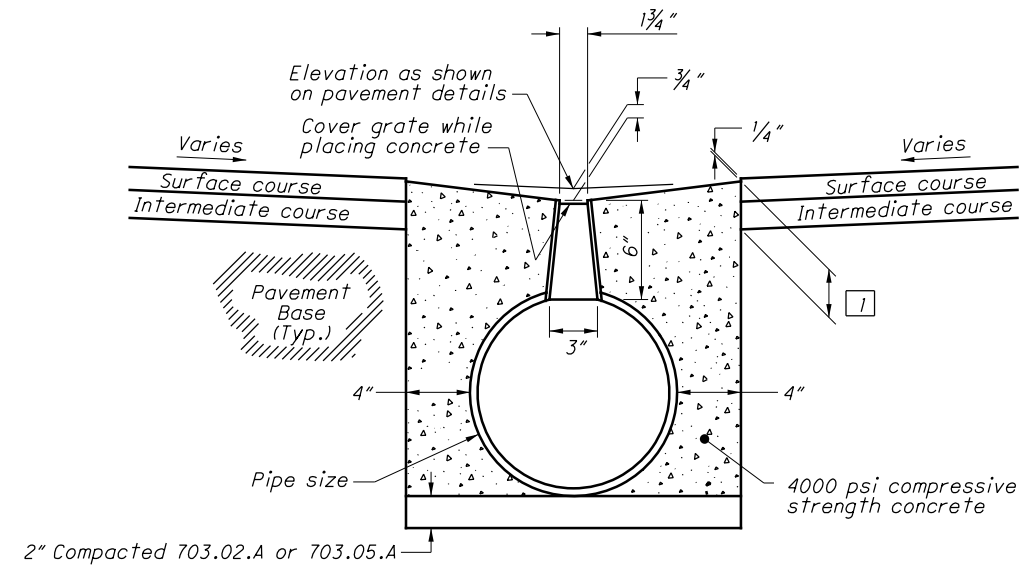
NOTE: Provide a continuous bearing bar by means of a slot or plate through the joint.

-----" SLOTTED DRAIN, TYPE 1
(Refer to Sample Plan Note D120)

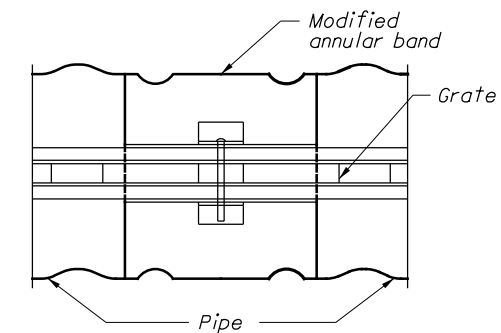
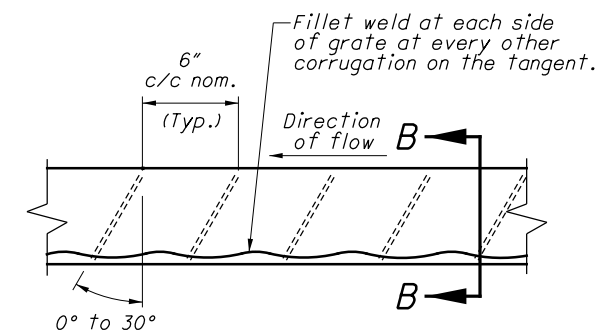
TYPE 2

NOTE: The asphalt surface course shall be placed 1/4" higher than the outside edge of the concrete surface.

1 Surface on the side shall be formed to provide a straight edge for the top 3".



SECTION B-B



PLAN

NOTE: Provide a continuous bearing bar by means of a slot or plate through the joint.

-----" SLOTTED DRAIN, TYPE 2
(Refer to Sample Plan Note D120)