

# INSPECTION WELL

## NOTES

**GENERAL:** Advise the Engineer of all private drains encountered if connected to a building, septic tank, cesspool, filter bed, or treatment plant or if discharging polluted water of any kind.

Connect such drains to the highway drainage system (requires official permit) or plug them as directed by the Engineer.

If connected to the highway storm sewer system, construct an inspection well as detailed here on each such drain unless the drain is to be connected to a catch basin, inlet or manhole or is to discharge into an open channel or ditch.

The cost of tapping the highway sewer, including the concrete collar or Tee, is included in the unit price bid per Foot of **Item 611 - Conduit.**

When PVC pipe is used for the riser section of the Inspection Well, form a recessed bell area in the concrete at the top of the well to receive the cast iron cover.

Component parts of the inspection well may be job or factory cut and job assembled.

**PAYMENT:** The work included in this item must comply with the provisions of CMS 611, including excavation and backfill, and is paid for at the contract unit price bid per **Item 611 - Inspection Well** (each) complete in place.

STATE OF OHIO DEPARTMENT OF TRANSPORTATION  
HYDRAULIC ENGINEER  
Jeffery E. Syar

REVISIONS  
7-20-01  
7-19-02  
7-20-12  
1-18-13

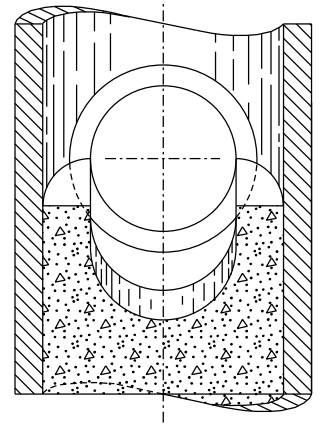
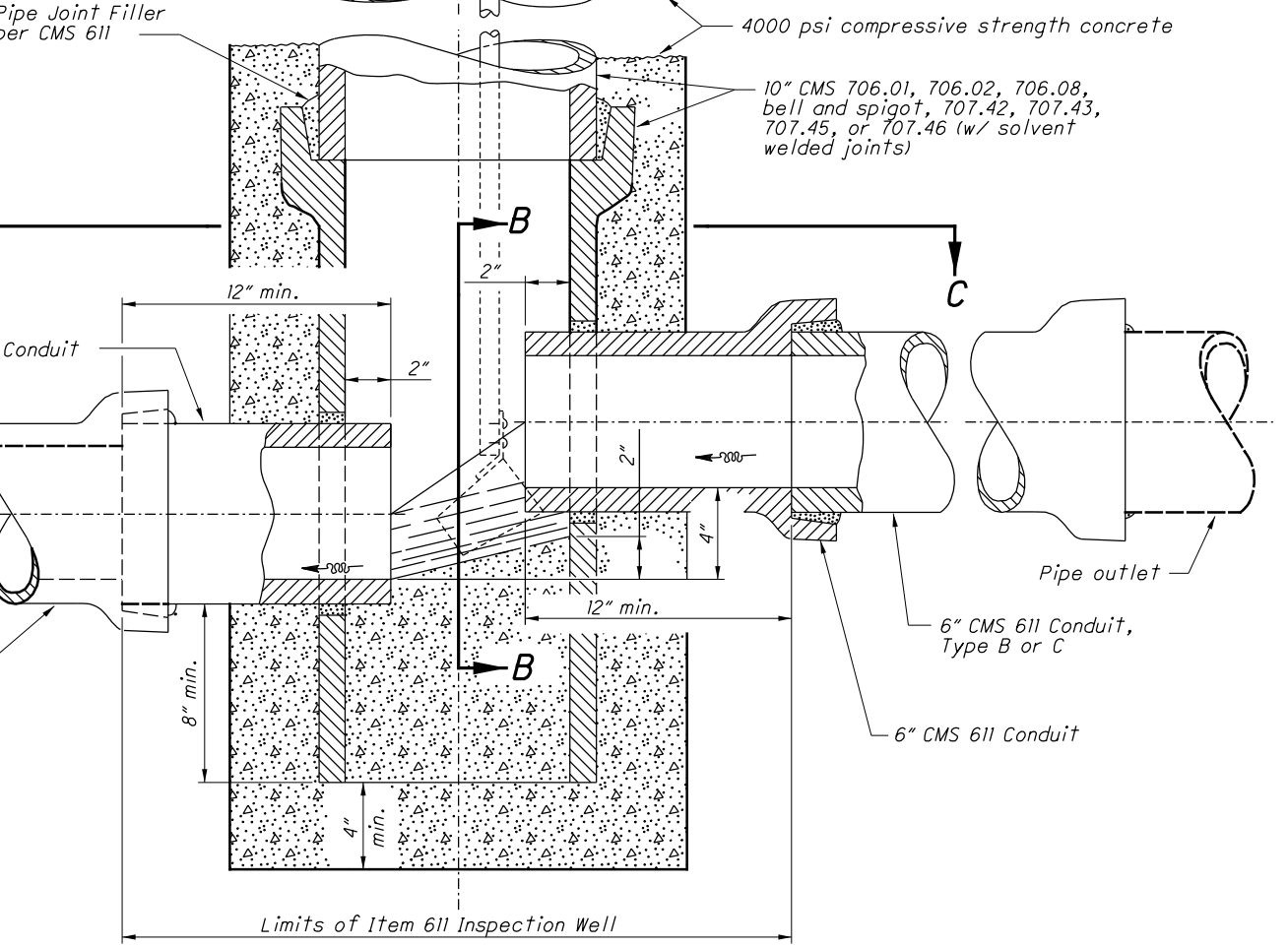
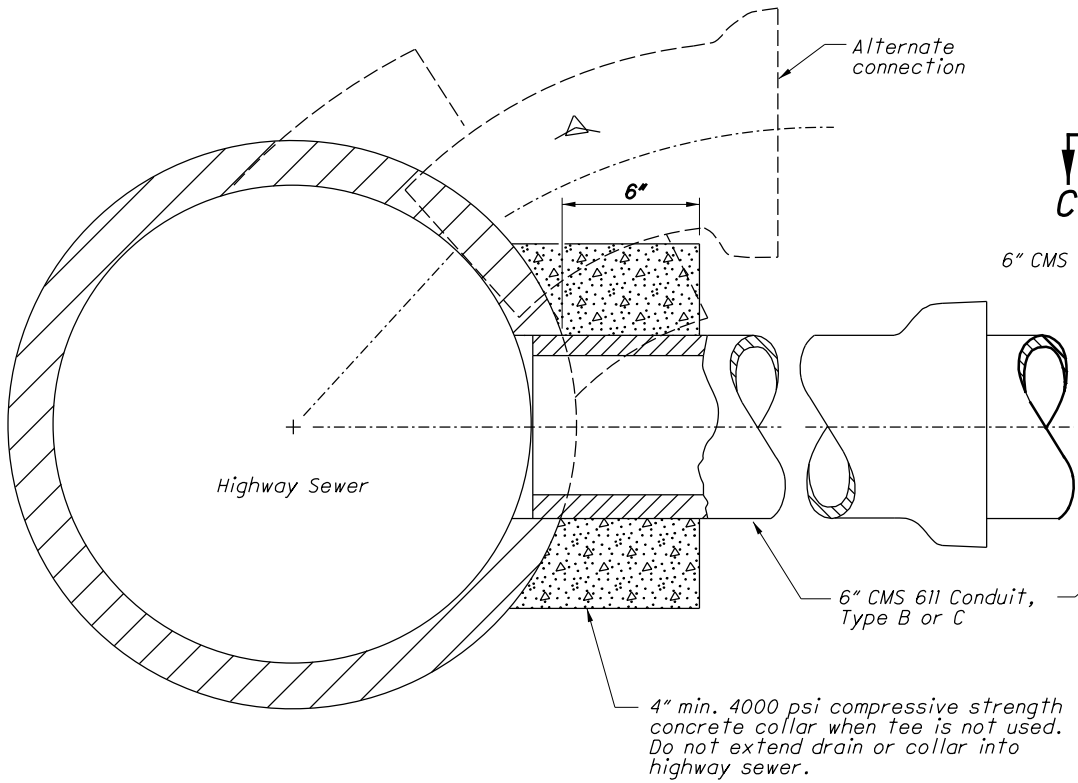
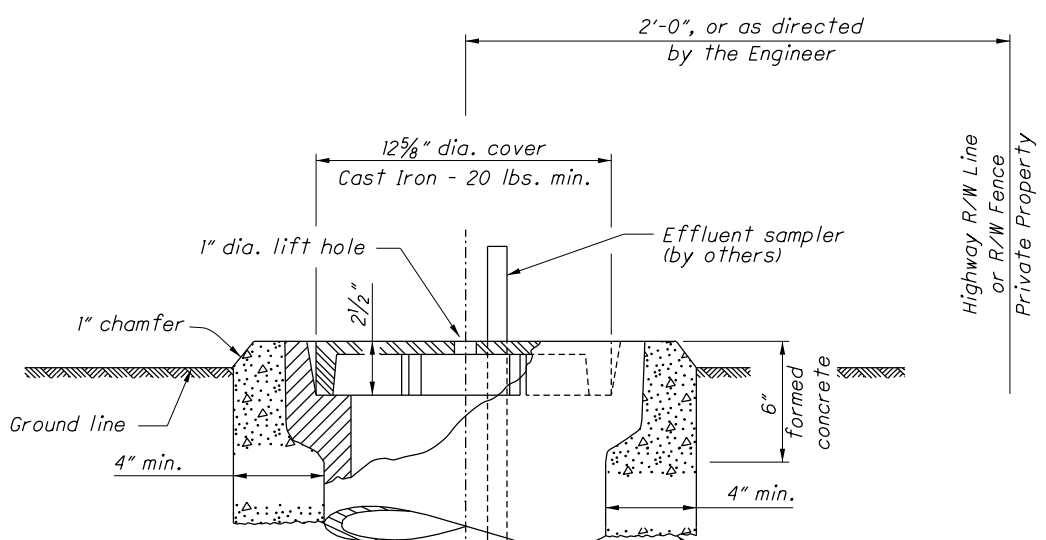
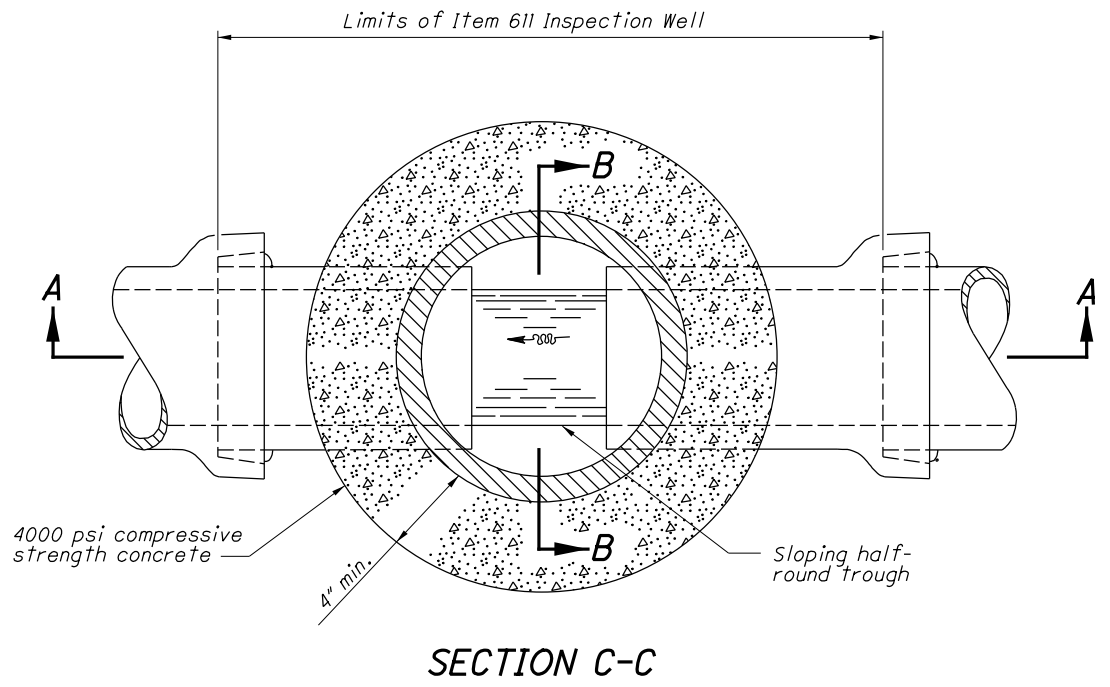
ROADWAY HYDRAULIC ENGINEER  
M. Cozzoli

OFFICE OF HYDRAULICS ENGINEERING

STANDARD HYDRAULIC CONSTRUCTION DRAWING  
INSPECTION WELL

SCD NUMBER  
DM-3.1

1 / 1



Use 6" Tee connection when new highway sewer is 24" or less. Tee or concrete collar may be used on sewers larger than 24".

## SECTION A-A ELEVATION

I:\ODOT\cadd\Standards\ODOT\Sheets\SCD\Hydraulics\DM-3.1\_2013-01-18.dgn Sheet 1/27/2017 10:20:03 AM jyoung6