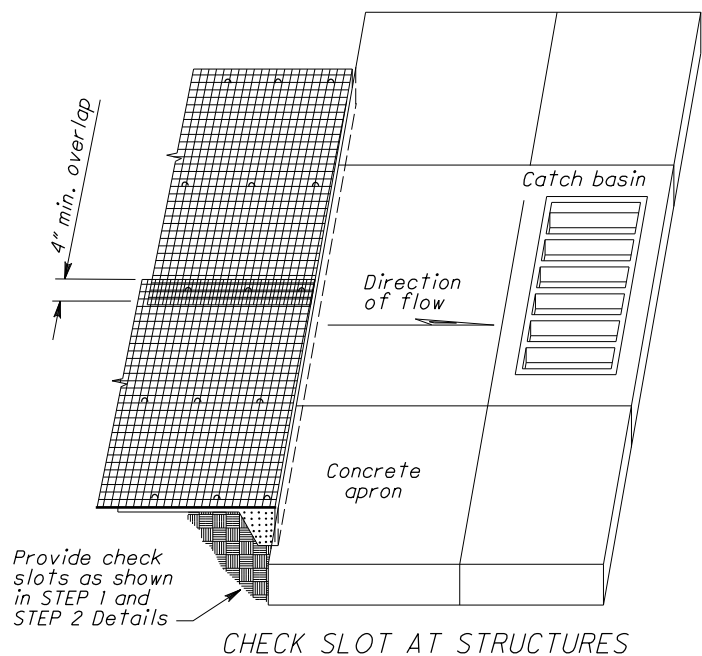
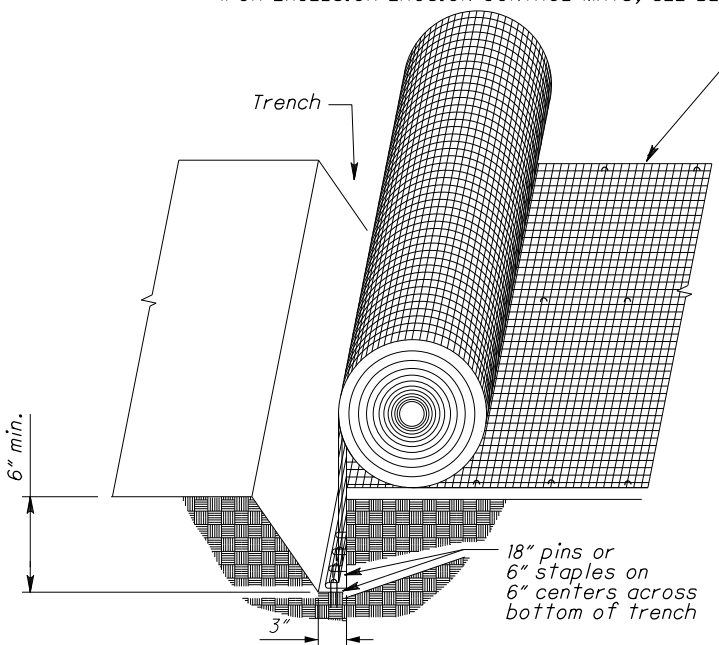


NON-EXCELSIOR EROSION CONTROL MAT INSTALLATION

(FOR EXCELSIOR EROSION CONTROL MATS, SEE BELOW)

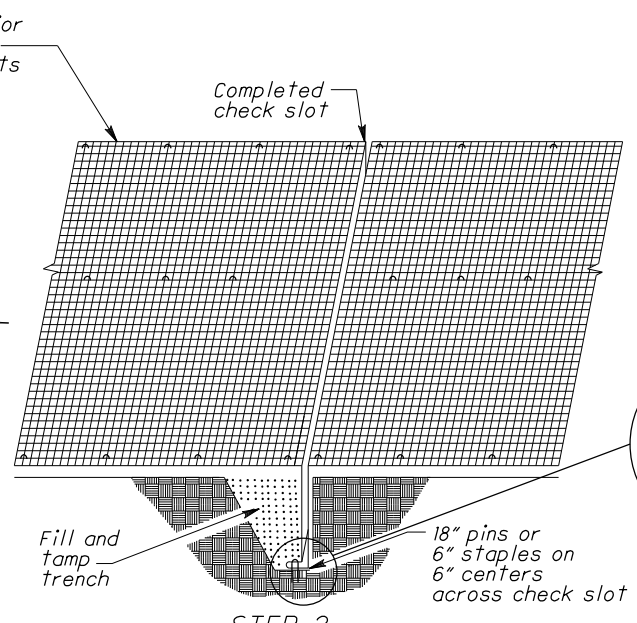


CHECK SLOT AT STRUCTURES

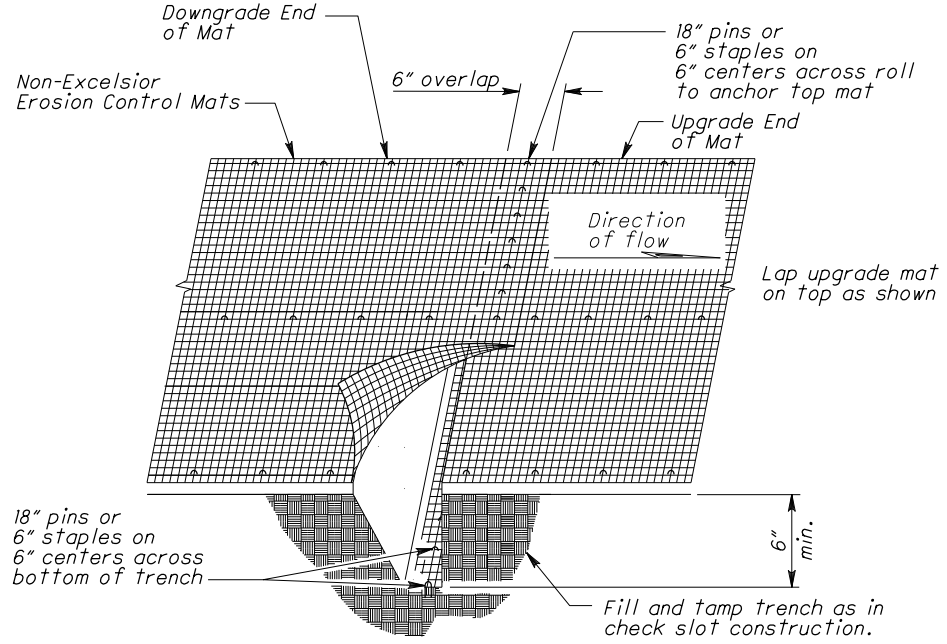


STEP 1

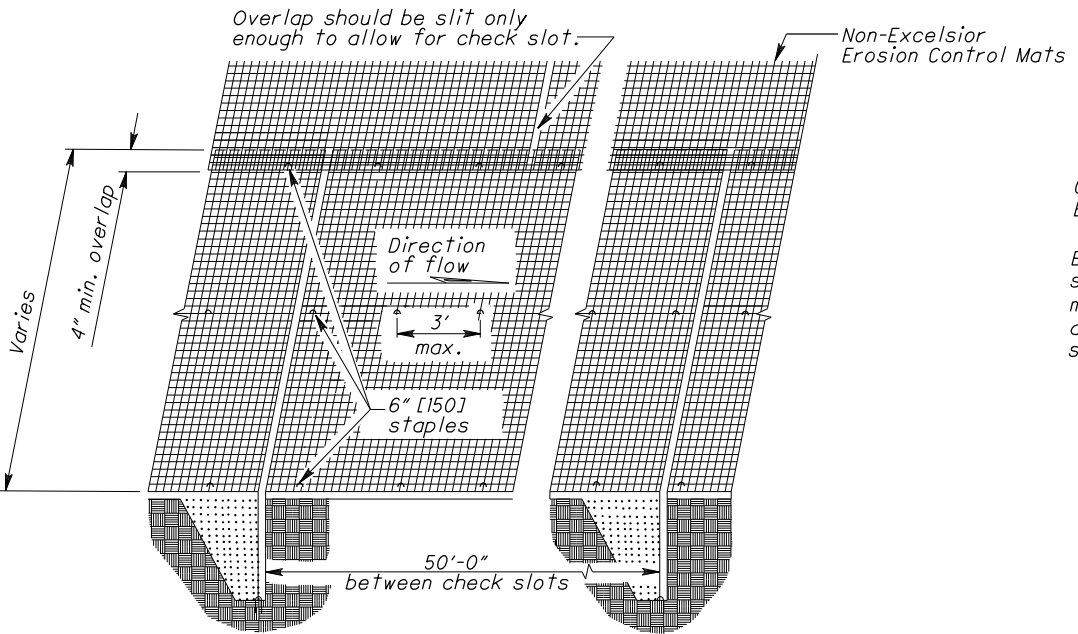
CHECK SLOT CONSTRUCTION DETAILS



STEP 2



END OF ROLL OVERLAP



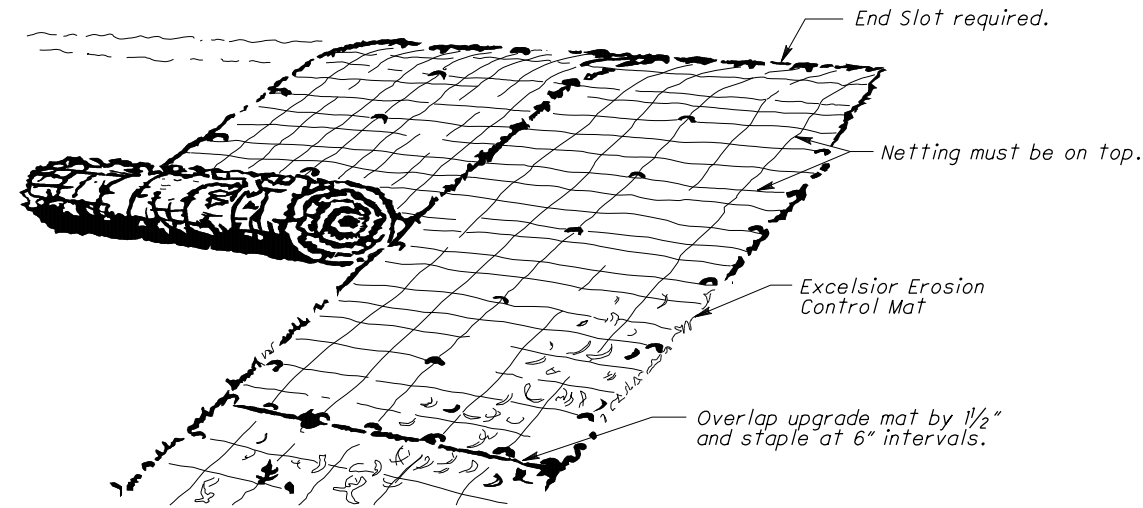
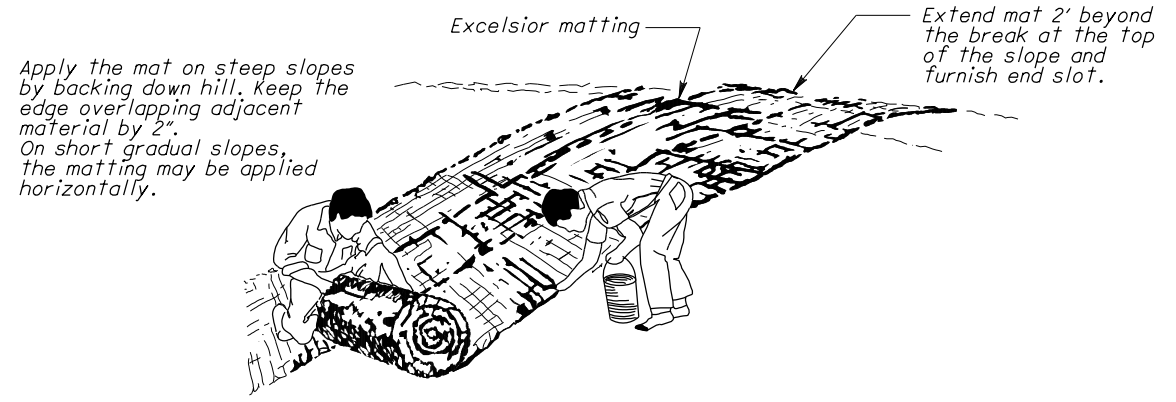
TYPICAL INSTALLATION

NOTES

GENERAL: The details shown govern the installation of Erosion Control Mats unless otherwise shown in the plan.

END OF RUN: Use a check slot and staple or pin in the slot as shown in END OF ROLL OVERLAP Detail for all mats excluding excelsior mats. When placing matting for all ditch protection, start at the downstream end, as shown in the CHECK SLOT AT STRUCTURES Detail.

EXCELSIOR EROSION CONTROL MAT INSTALLATION



I:\ODOT\cadd\Standards\ODOT\Sheets\SCD\Hydraulics\DM-4.2_2012-07-20.dgn Sheet 1/27/2017 10:20:16 AM jyoung6

STATE OF OHIO DEPARTMENT OF
TRANSPORTATION HYDRAULIC ENGINEER
Jeffery E. Syar

REVISIONS
7-20-01
7-19-02
1-21-05
7-20-12

ROADWAY HYDRAULIC
ENGINEER
M. Cozzoli

OFFICE OF
HYDRAULICS
ENGINEERING

STANDARD HYDRAULIC CONSTRUCTION DRAWING
EROSION CONTROL MAT

SCD NUMBER
DM-4.2