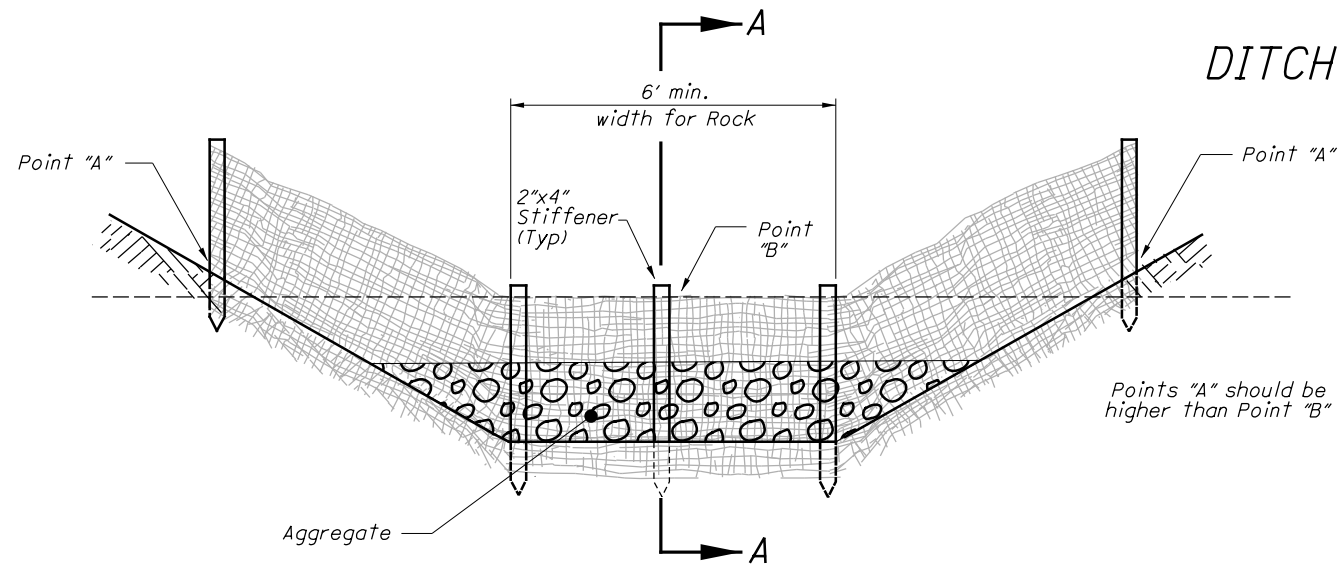
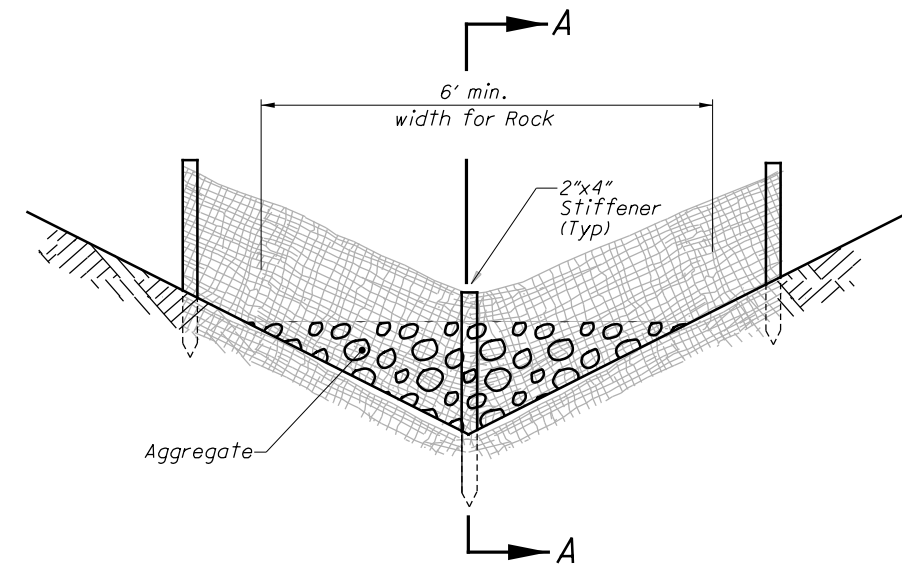


I:\VODOTcadd\Standards\ODOT\Sheets\SCD\Hydraulics\DM-4.4\_2016-01-15.dgn Sheet 1 1/27/2017 10:27:13 AM jyoung6



CROSS-SECTIONAL VIEW OF FLAT BOTTOM DITCH



CROSS-SECTIONAL VIEW OF "V" DITCH

NOTES

GEOTEXTILE FABRIC DITCH CHECKS:

**MATERIALS:**

Furnish geotextile fabric ditch checks consisting of the following materials:

1. 30" wide geotextile fabric with sound wood supports with maximum on-center spacing of 10'. Use geotextile fabric conforming to 712.09, Type C.
2. A vertically driven 2"x4" stiffener stake in the center of the ditch.
3. Aggregate conforming to one of the following gradations: No. 1 through No. 4 on Table 703.01-1.

When using straw bales, furnish 30" long 2"x2" wooden stakes, reinforcing bars or fence posts to stake straw bales in place.

**CONSTRUCTION:**

Trench the geotextile fabric fence as detailed for PERIMETER GEOTEXTILE FABRIC FENCE (see Sheet 2). Place a vertical 2"x4" stiffener stake in the center of the ditch with the top level to the top level of the fence and at least 6" below the bottom of the ditch. Excavate for aggregate and place the aggregate on the downstream side of the ditch check.

If the Engineer determines that rock should not be used for the geotextile fabric ditch checks, replace aggregate with straw bales configured with minimal gaps between bales. Tightly place each bale adjacent to one another. Entrench 2" to 3" into the ground prior to staking. Firmly stake each bale with at least two stakes.

**PAYMENT:**

The Department will pay for accepted quantities at the prices shown in Appendix F of Supplemental Specification 832 (SS832) for the following items:

- Geotextile Fabric Ditch Check

All items shown on this Standard Construction Drawing that are required for construction that are not specifically identified in SS832 Appendix F are considered incidental.

NOTES

ROCK CHECKS:

**MATERIALS:**

Furnish material conforming to Item 601 - Rock Channel Protection, Type C or D, Without Filter.

**CONSTRUCTION:**

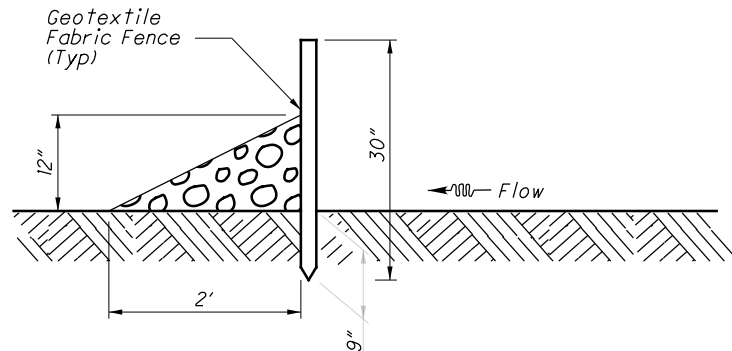
If the Engineer determines that rock should not be used for the rock checks, replace rock channel protection with straw bales configured with minimal gaps between bales. Tightly place each bale adjacent to one another. Entrench 2" to 3" into the ground prior to staking. Firmly stake each bale with at least two stakes.

**PAYMENT:**

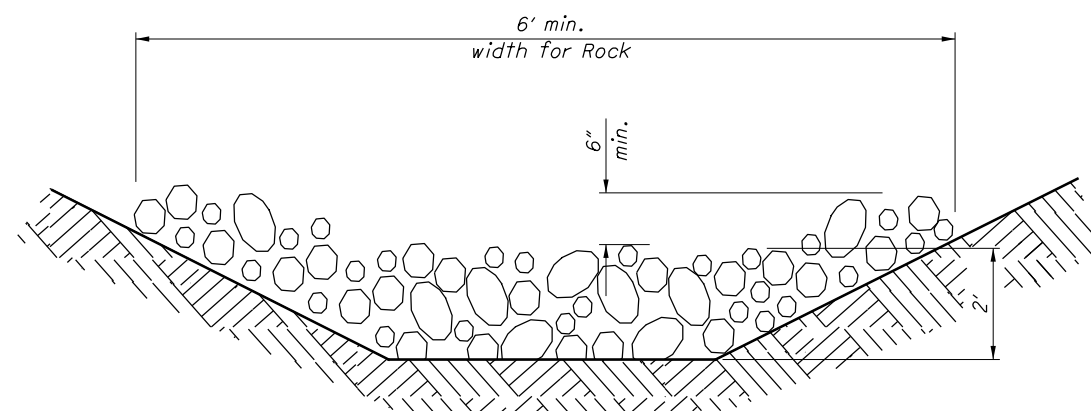
The Department will pay for accepted quantities at the prices shown in Appendix F of Supplemental Specification 832 (SS832) for the following items:

- Rock Channel Protection, Type C or D, Without Filter

All items shown on this Standard Construction Drawing that are required for construction that are not specifically identified in SS832 Appendix F are considered incidental.



PROFILE VIEW OF FLAT BOTTOM AND V DITCH SECTION A-A



Minimum dimensions: 2' high x 6' wide x 3' long

CROSS-SECTIONAL VIEW ROCK CHECK

STATE OF OHIO DEPARTMENT OF TRANSPORTATION HYDRAULIC ENGINEER

Jeffery E. Syar

REVISIONS  
4-29-02  
7-19-02  
12-01-08  
4-17-09  
7-20-12  
1-15-16

ROADWAY HYDRAULIC ENGINEER

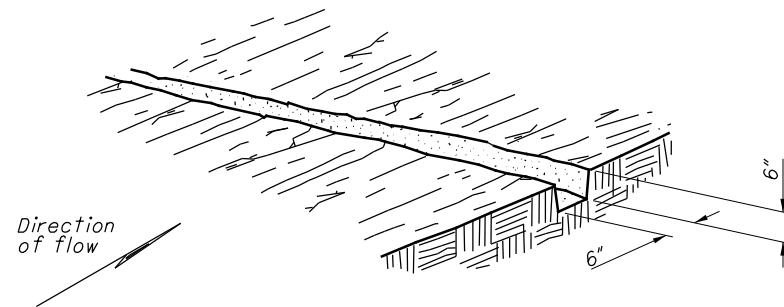
M. Cozzoli

OFFICE OF HYDRAULICS ENGINEERING

STANDARD HYDRAULIC CONSTRUCTION DRAWING  
CONSTRUCTION EROSION CONTROL

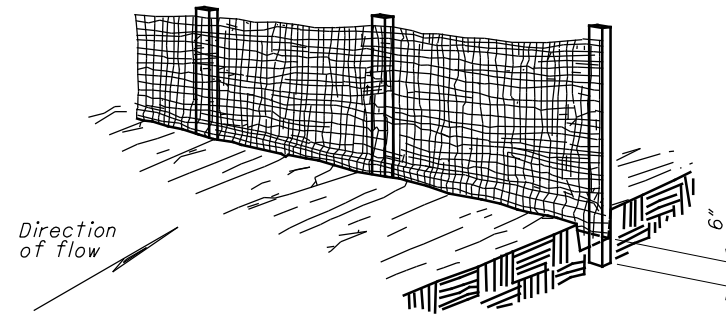
SCD NUMBER  
DM-4.4

# PERIMETER GEOTEXTILE FABRIC FENCE



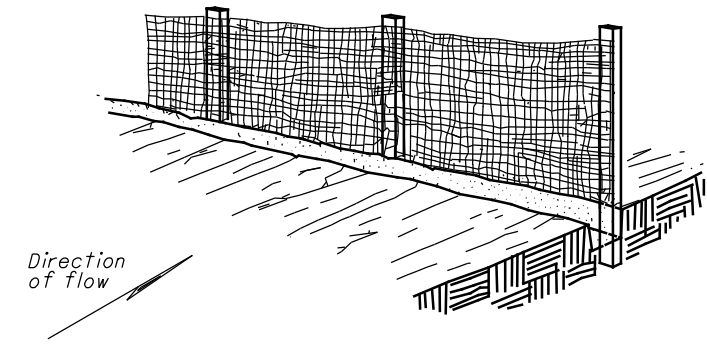
Excavate a 6"x6" trench along the proposed fence line.

STEP 1



Place fabric and support stakes and extend fabric into the trench.

STEP 2



Backfill and compact the excavated soil.

STEP 3

## NOTES

**MATERIALS:**

Furnish 30" wide geotextile fabric with sound wood supports with maximum on-center spacing of 10'. Use geotextile fabric conforming to 712.09, Type C.

**CONSTRUCTION:**

Trench the geotextile fabric fence as detailed. The contractor may elect to trench the fence detailed on steps 1 through 3 in one plowing operation.

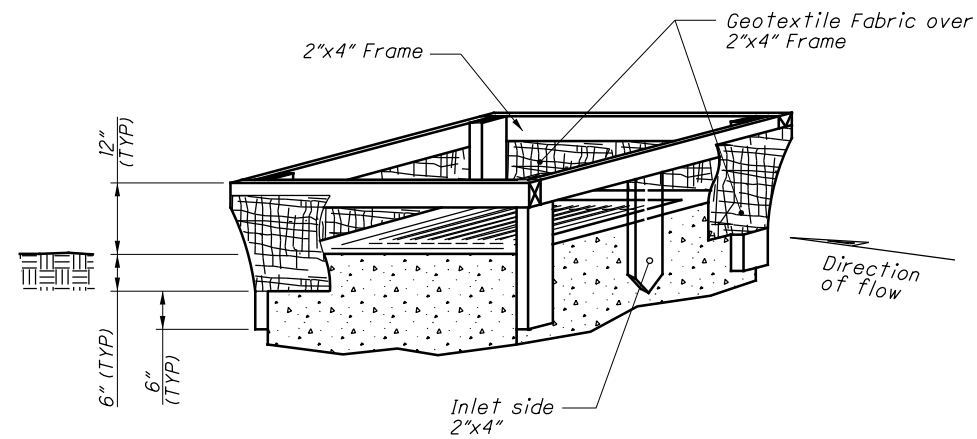
**PAYMENT:**

The Department will pay for accepted quantities at the prices shown in Appendix F of Supplemental Specification 832 (SS832) for the following items:

- Perimeter Geotextile Fabric Fence

All items shown on this Standard Construction Drawing that are required for construction that are not specifically identified in SS832 Appendix F are considered incidental.

# INLET PROTECTION



INLET PROTECTION

## NOTES

**MATERIALS:**

Furnish inlet protection consisting of 18" wide geotextile fabric fence with a securely nailed 2"x4" wood frame with a vertically driven 2"x4" on the inlet, or flow, side of the structure. Use geotextile fabric conforming to 712.09, Type C.

**CONSTRUCTION:**

Construct an 18" wide geotextile fabric fence supported around a storm drain inlet or catch basin with a securely nailed 2"x4" wood frame. Excavate a 6" trench around the inlet, and drive support posts 6" below the excavated trench bottom. Stretch the fabric around the frame. Secure it tightly, ensuring that 6" of fabric is in the trench. Overlap the fabric on one side of the inlet so that the fabric ends are not attached to the same post. Backfill and compact the excavated soil tightly onto the fabric. Place a vertical 2"x4" in the center of the inlet so that the top is at the top of the fence and the bottom is at least 6" below the bottom of the ditch.

**PAYMENT:**

The Department will pay for accepted quantities at the prices shown in Appendix F of Supplemental Specification 832 (SS832) for the following items:

- Inlet Protection

All items shown on this Standard Construction Drawing that are required for construction that are not specifically identified in SS832 Appendix F are considered incidental.

I:\ODOTcadd\Standards\ODOT\Sheets\SCD\Hydraulics\DM-4.4\_2016-01-15.dgn Sheet 2 1/27/2017 10:27:14 AM jyoung6

STATE OF OHIO DEPARTMENT OF TRANSPORTATION HYDRAULIC ENGINEER  
Jeffery E. Syar

REVISIONS
4-29-02
7-19-02
12-01-08
4-17-09
7-20-12
1-15-16

ROADWAY HYDRAULIC ENGINEER  
M. Cozzoli

OFFICE OF HYDRAULICS ENGINEERING

STANDARD HYDRAULIC CONSTRUCTION DRAWING  
CONSTRUCTION EROSION CONTROL

SCD NUMBER  
DM-4.4